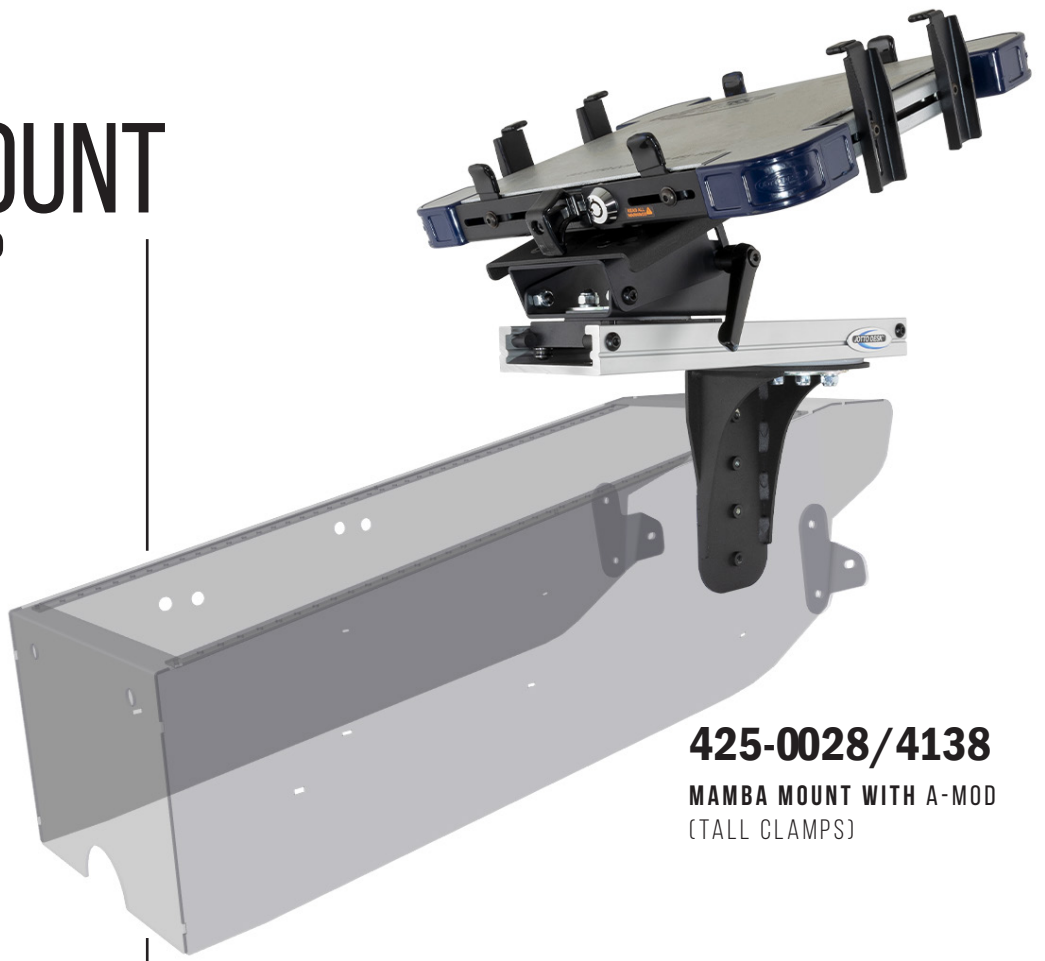


# THE MAMBA MOUNT WITH A-MOD DESKTOP

- 12" Motion Arm
- Tilt/Swivel
- Smart Zone Design
  - Store & Drive
  - Park & Work
  - Tactically Safe

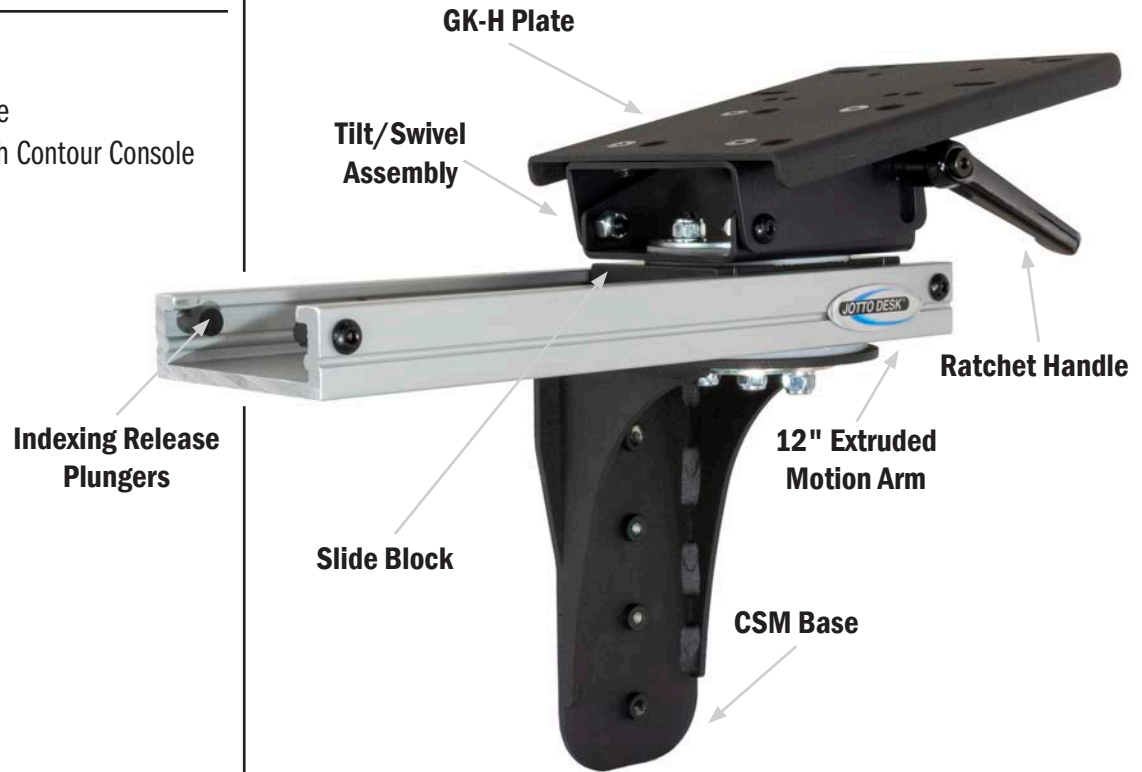


**425-0028/4138**  
MAMBA MOUNT WITH A-MOD  
(TALL CLAMPS)

## BUILT TO FIT

### Dodge Durango Pursuit

- 425-6680 Contour Console
- 425-6706 DGS/Max Depth Contour Console



# THE MAMBA MOUNT

## Ordering Options



### 425-0028

MAMBA MOUNT  
(BASE ONLY)



### 425-4138

MAMBA MOUNT WITH A-MOD  
(TALL CLAMPS)



Width.....11.25" to 13.625"  
Depth .....9.25" to 11" (with extensions)  
Clamp Height.....1" to 2.25" (Tall Clamp)  
Weight: .....4.65 lbs. (5.65 lbs with GK Plate)

### 425-4152

MAMBA MOUNT WITH A-MOD  
(SHORT CLAMPS)



Width.....11.25" to 13.625"  
Depth .....9.25" to 11" (with extensions)  
Clamp Height.....0.5" to 1.10" (Short Clamp)  
Weight: .....4.65 lbs (5.65 lbs with GK Plate)

### 425-4139

MAMBA MOUNT WITH A-MOD XL  
(SHORT CLAMPS)



Width.....13.5" to 16"  
Depth .....9.25" to 11" (with extensions)  
Clamp Height.....0.5" to 1.10" (Short Clamp)  
Weight: .....5.1 lbs (6.1lbs with GK Plate)

### 425-4154

MAMBA MOUNT WITH A-MOD XL  
(TALL CLAMPS)



Width.....13.5" to 16"  
Depth .....9.25" to 11" (with extensions)  
Clamp Height.....1" to 2.25" (Tall Clamp)  
Weight: .....5.1 lbs (6.1lbs with GK Plate)



The A-MOD is engineered to be lightweight, yet rugged. Manufactured from steel, high strength aluminum, and composite materials where it makes sense. It's not real security if a laptop can be simply be stolen by jimmying the lock or bending the clamps. The A-MOD features a high-security solid brass tubular lock and case-hardened steel clamps.

#### A-MOD DESKTOP (450-4138)

- A. Side Clamps, Short or Tall (Case Hardened Steel)
- B. Front Tabs (Case Hardened Steel)
- C. Rear Tabs and Offset Rear Tabs (Case Hardened Steel)
- D. Tubular Lock - Solid Brass/High Security
- E. Side Trays
- F. Rear Tray
- G. Latch Release Handle

