

Patent No.: US 11,554,772

Works with: Chevrolet Tahoe PPV (2021+)

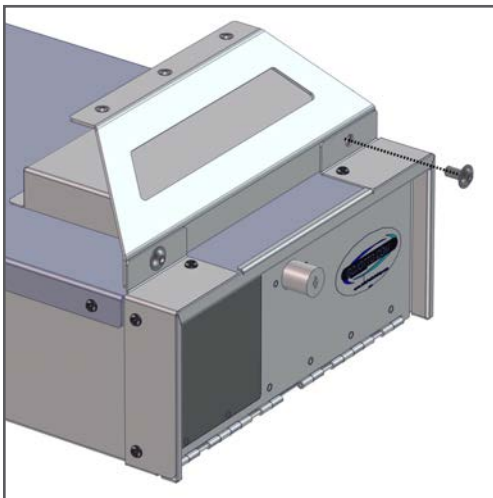
475-1850..... Cargo Cover/Equipment Tray (SRS)

475-1851..... Cargo Cover/Equipment Tray (CB4)

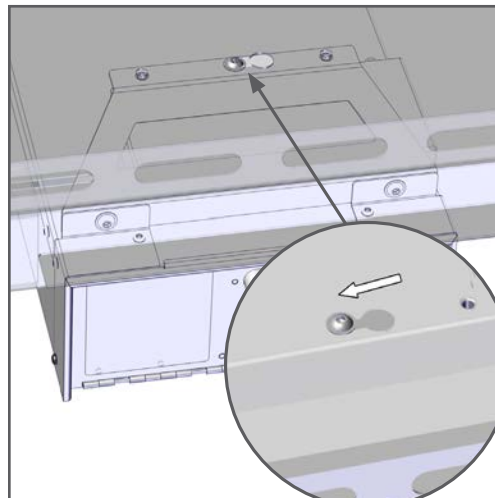
Ford PI UTILITY PPV (2020+)

475-1865..... Cargo Cover/Equipment Tray (SRS)

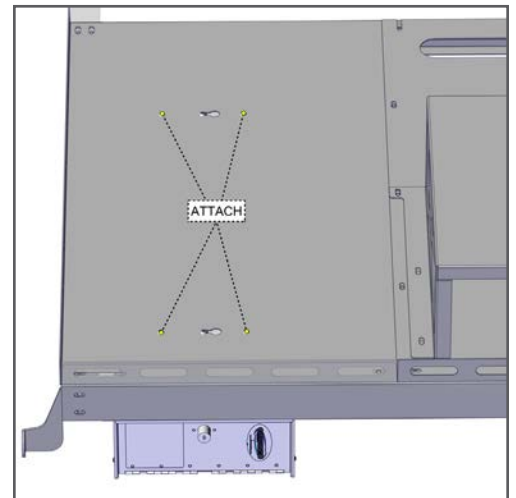
475-1866..... Cargo Cover/Equipment Tray (CB4)



1. Attach the (2) Cargo Cover Brackets to the tabs found on top of the "Stash" Gun Box with (4) 5/16-18 socket head cap screws.
NOTE: 3/16" Torx Socket Bit required

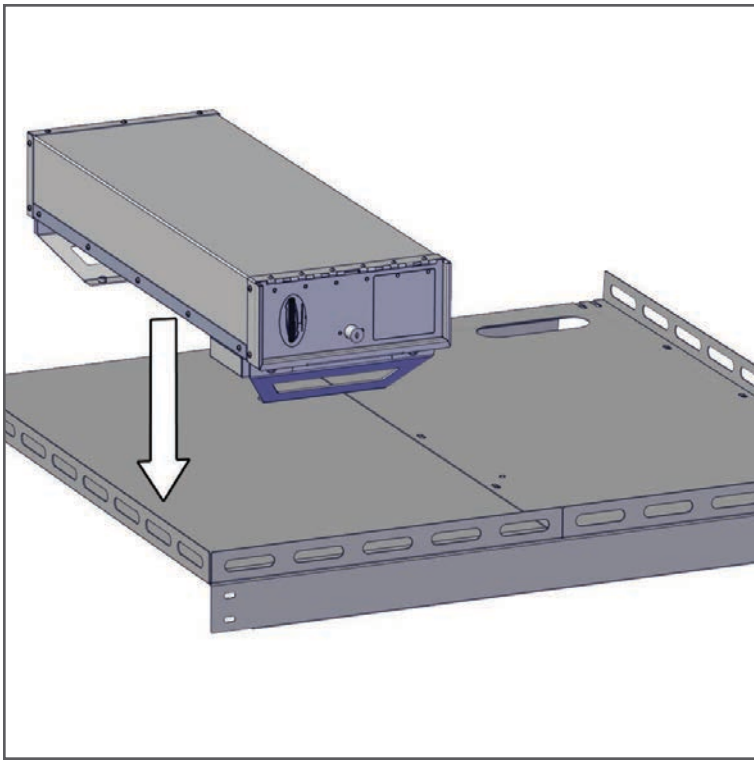


2. Loosely attach (1) socket head cap screw to the center hole of each previously attached Cargo Cover Bracket. Install the Gun Box under the Cargo Cover, lift-up into the Cargo Cover exposing the screw within the hole-slot. Slide over to hold in place.

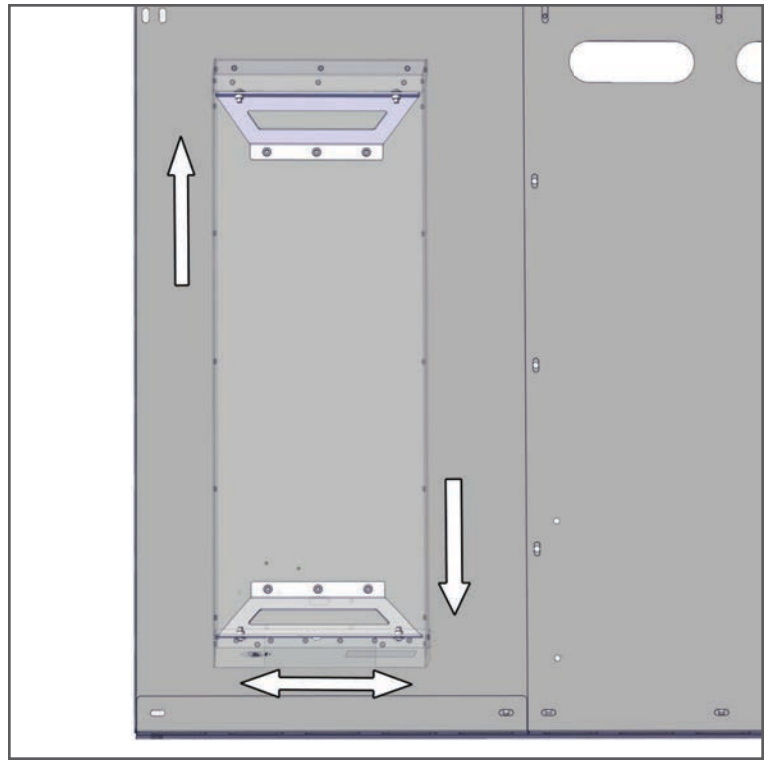


3. Attach the remaining (4) Socket head cap screws through the Cargo Cover to securely attach the Gun Box into place.

If your Cargo Cover does not have predrilled holes for The Stash, see back for further instructions.

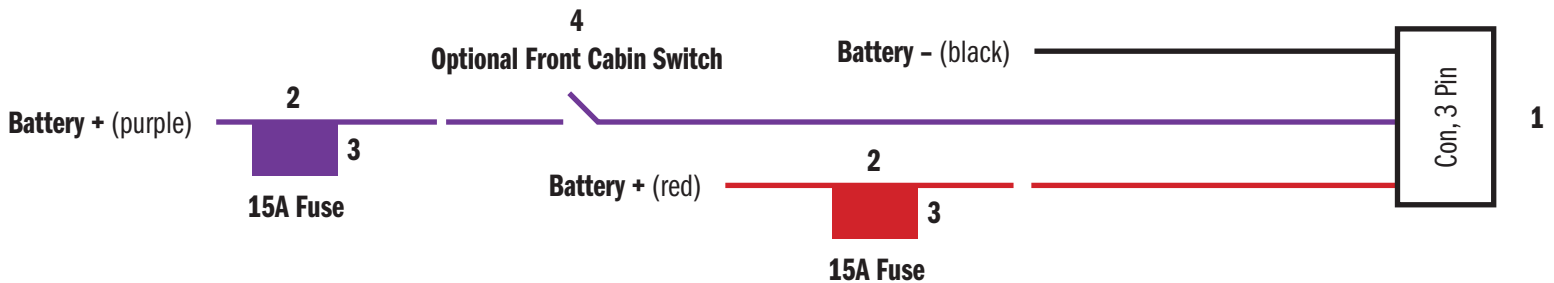


1. Flip the assembled "Stash" Gun Box upside down on top of the Cargo Barrier.



2. Adjust to desired location and mark points to drill through the (6) mounting holes located on the Cargo Cover Brackets.

GUN BOX WIRING DIAGRAM (HOOKUP HARNESS)



* - Battery connection can be Switched or Constant based on the desired function. Ignition **ON** or **OFF** function.

1 = 475-2111, Harness, Gun Box, External

2 = 450-0105, Holder, Fuse, In-Line, ATC

3 = 450-0199, Fuse, 15A, ATO-ATC

4 = 475-7208, Momentary Switch

If you have questions or need further assistance please call Technical Support: 1.877.455.6886



209 W. EASY ST., ROGERS, AR 72756 • JOTTOPUBLICSAFETY.COM • 10/23

Jotto Desk™ is a patented product and Registered Trademark of Assembled Products™ Corporation.
Specifications subject to change without notice.