

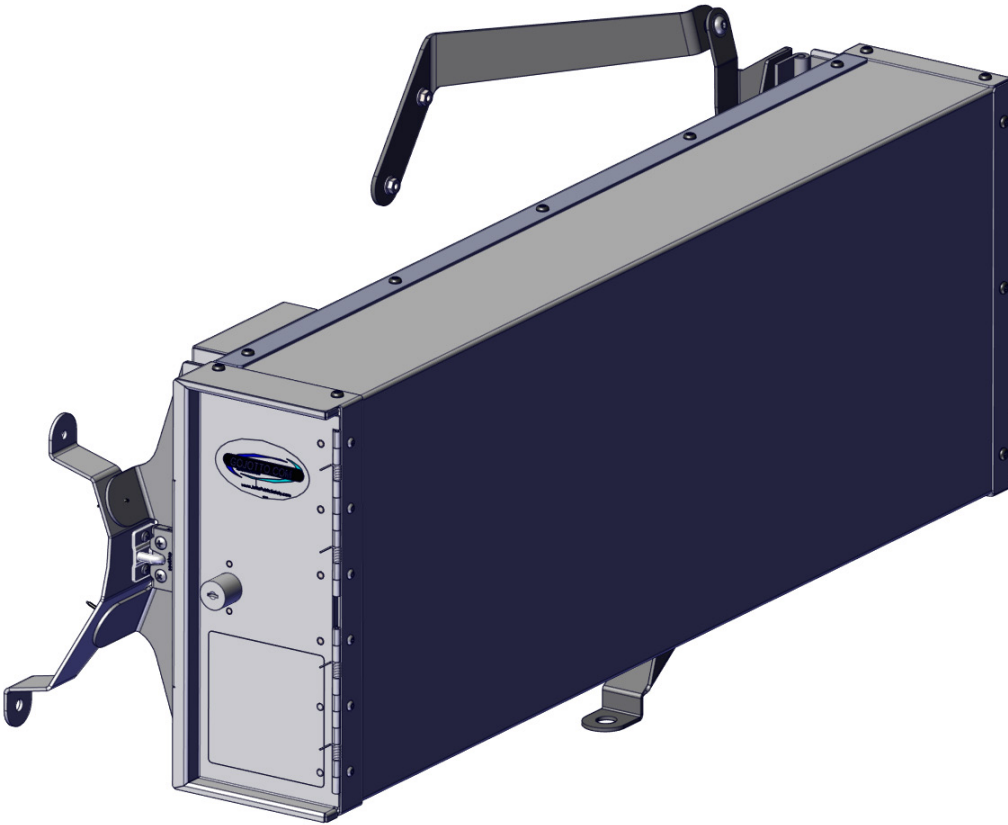


THE STASH, VERTICAL

CHEVY TAHOE 2021+

Installation Instructions

475-2108

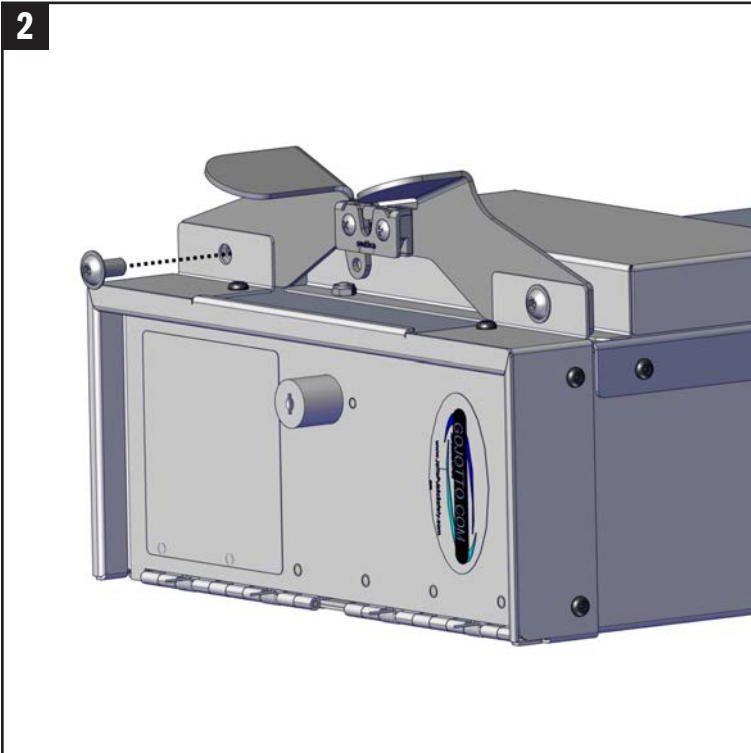


Patent No.: US 11,554,772



1

1 Unscrew the (2) top DS/PS OEM cargo net hooks, along with the bottom ring hood supports. **Tool Required, TP-40 Socket**



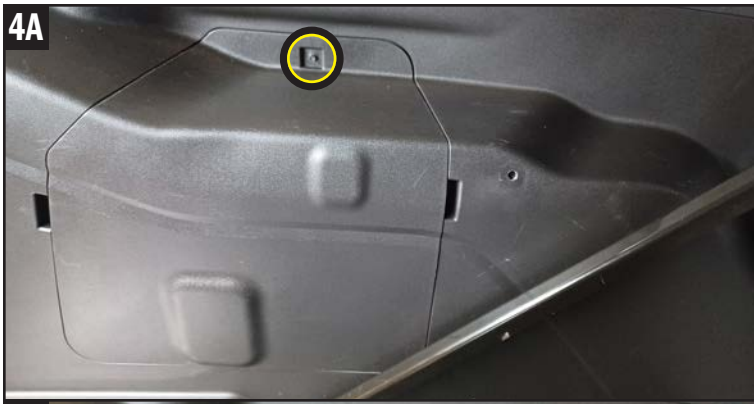
2

2 Attach the Latch Bracket to "The Stash" Gun Box with provided 5/16"-18 socket head cap screws. **Tool Required 3/16" Torx Socket**

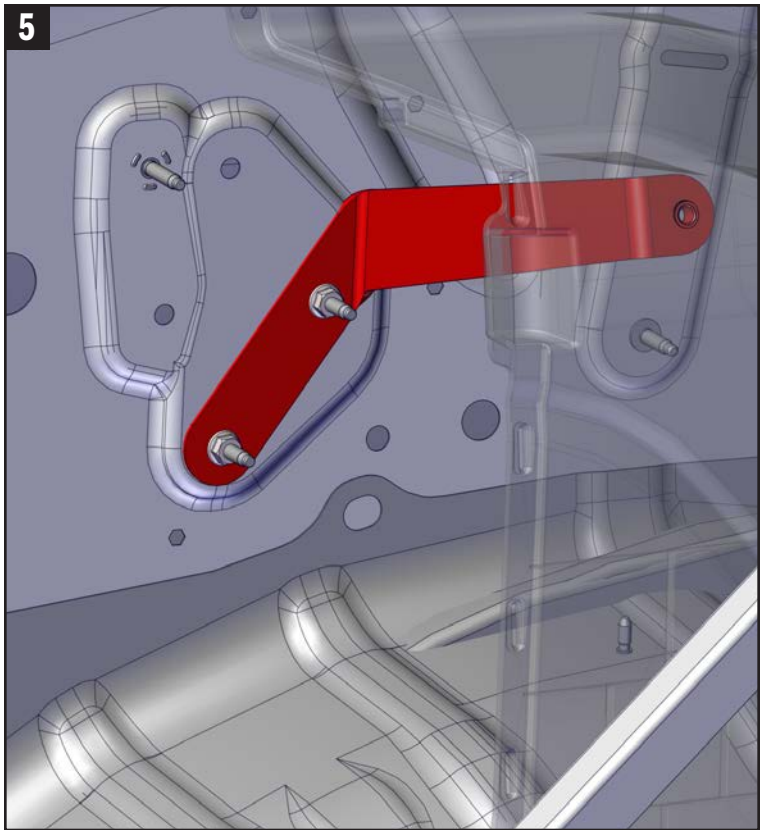


3

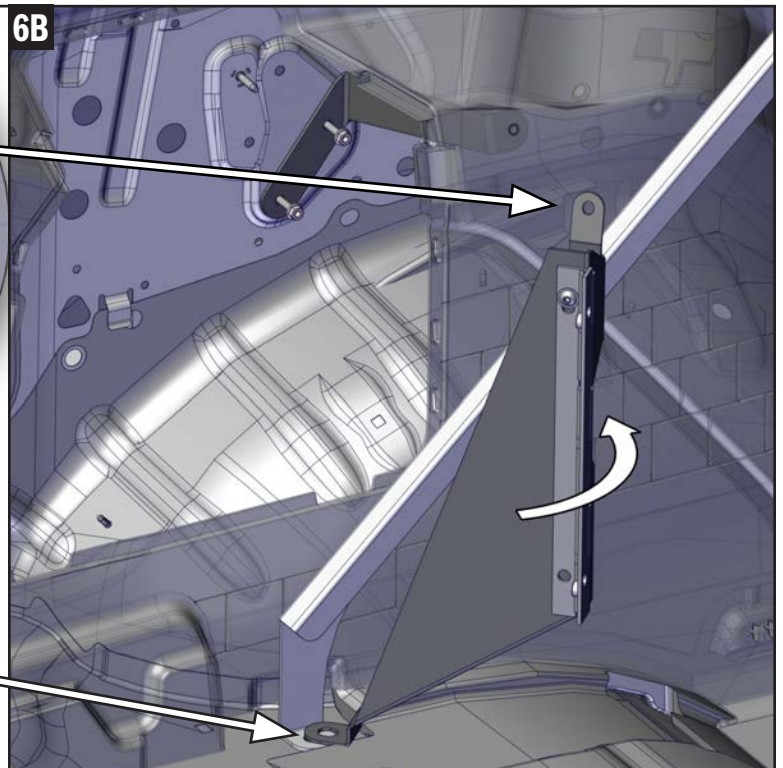
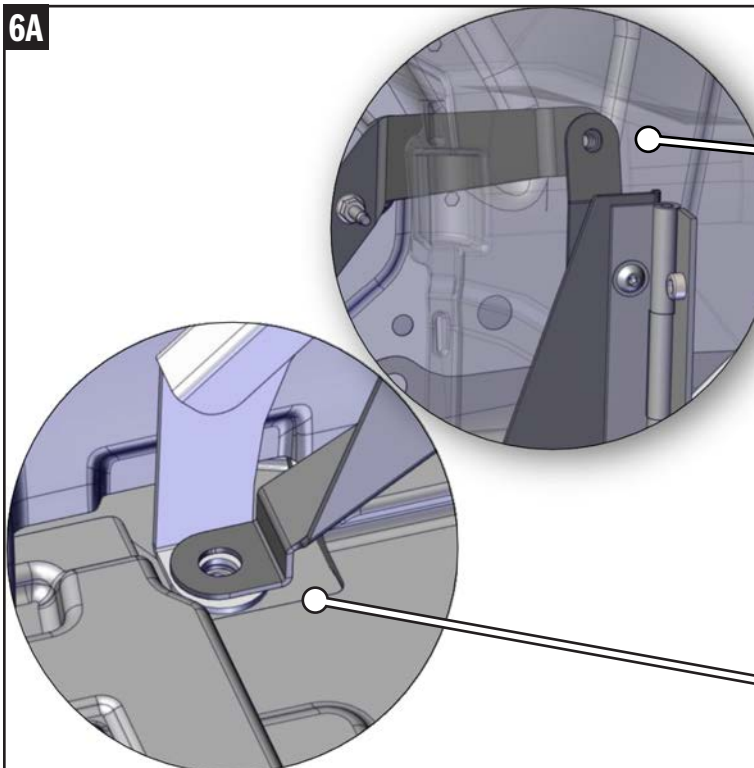
3 Attach the Striker Bracket to the cargo area. Secure the top hole with provided hardware M6-1" socket head cap screw, and the bottom with previously removed screw. **Tool Required T-27 Socket Bit**



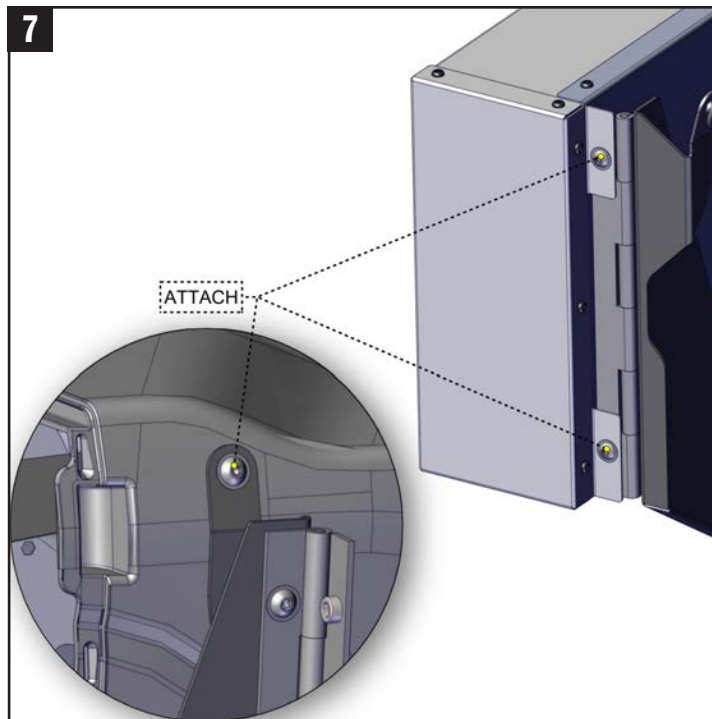
4 Remove the screw and pop loose to remove the battery cover.
Tool Required 7 MM Socket.



5 With or without the vehicle's battery removed, place the Inner Trim Bracket on the exposed OE threaded studs and secure with provided (2) M6 nuts. **Tool Required 10 MM Socket.**

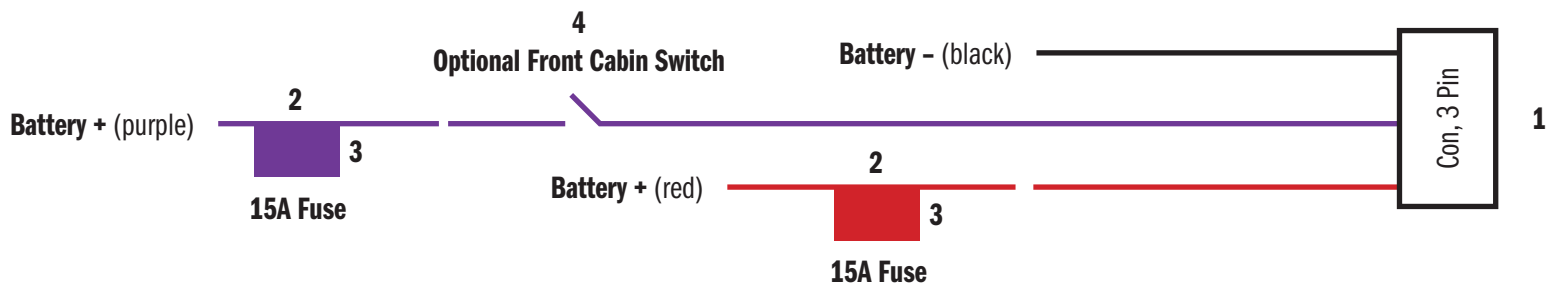


6 Remove the bolt securing the Cargo Barriers Rear Mount Leg, place the Gun Box Bracket on top and loosely attach. Rotate the Gun Box Bracket to the trim aligning the mounting point of the Inner Trim Bracket. Mark a drilling point, rotate the bracket away to drill a 1/4" hole.



7 Secure the Box Bracket to the Inner Trim Bracket and the Gun Box with provided (4) 5/16"-18 socket head cap screws. Finish by attaching Gun Box to the Box Hinge and Latch Bracket.

GUN BOX WIRING DIAGRAM (HOOKUP HARNESS)



* - Battery connection can be Switched or Constant based on the desired function. Ignition **ON** or **OFF** function.

1 = 475-2111, Harness, Gun Box, External

2 = 450-0105, Holder, Fuse, In-Line, ATC

3 = 450-0199, Fuse, 15A, ATO-ATC

4 = 475-7208, Momentary Switch

If you have questions or need further assistance please call Technical Support: 1.877.455.6886



209 W. EASY ST., ROGERS, AR 72756 • JOTTOPUBLICSAFETY.COM • 11/23

Jotto Desk™ is a patented product and Registered Trademark of Assembled Products™ Corporation.
Specifications subject to change without notice.