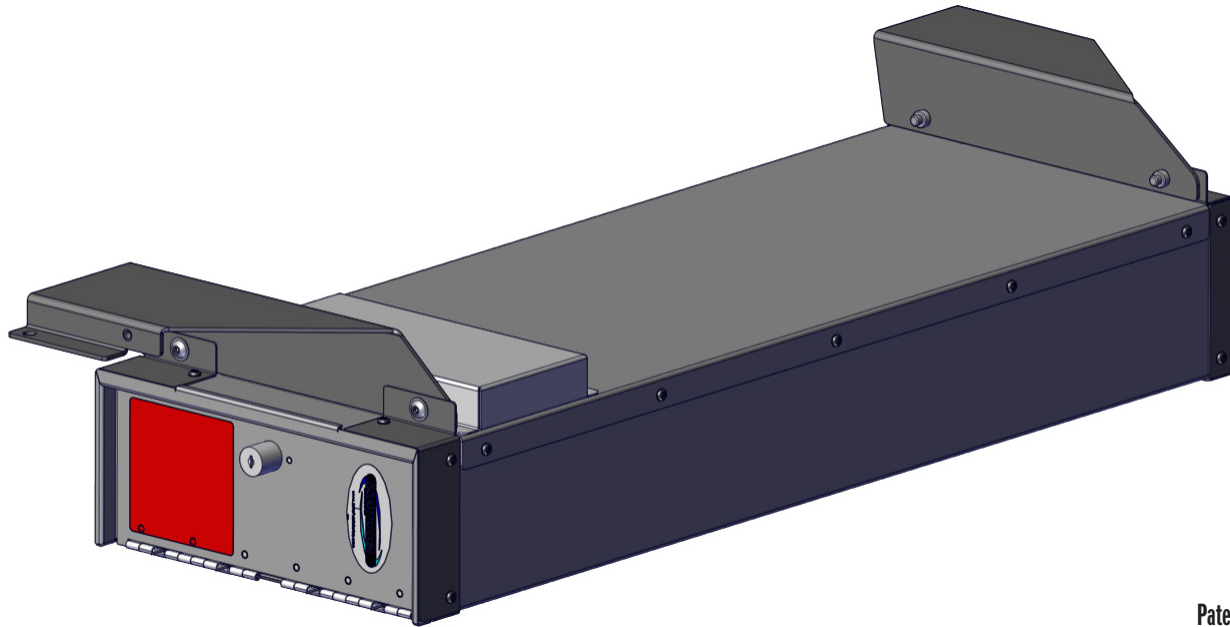




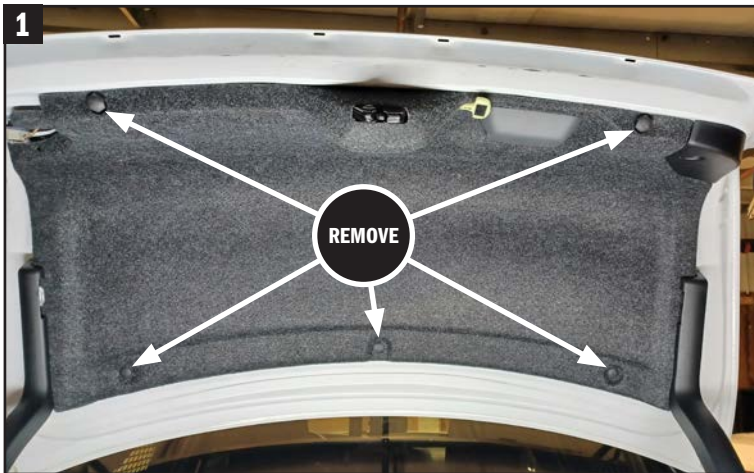
THE STASH, TRUNK DODGE CHARGER 2021+

Installation Instructions

475-2110



Patent No.: US 11,554,772



1. Remove all plastic clips and trim attaching the interior carpet pad from the inside trunk lid. Set aside, not reused.



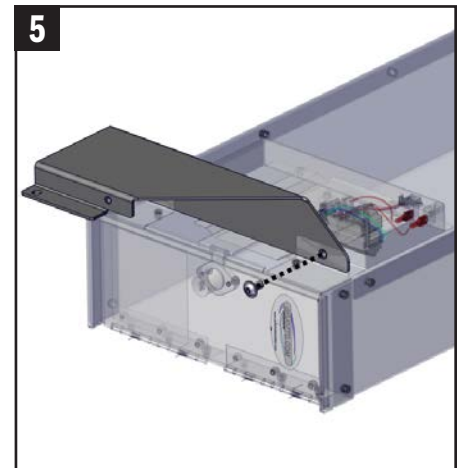
2. Pop loose and remove the trim from the trunks latching point. Tool required: plastic Mold/Trim Remover.



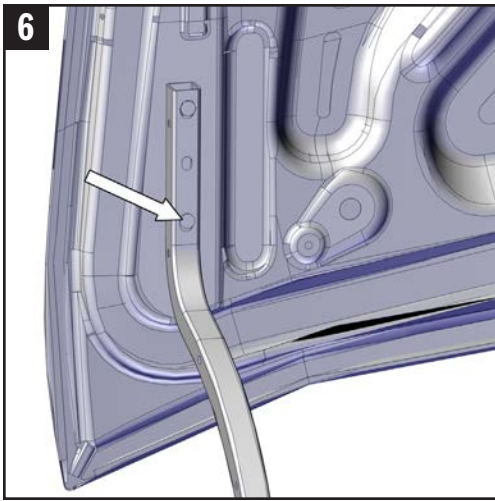
3. Remove the clips/trim from the PS/DS trunk lid support arms.



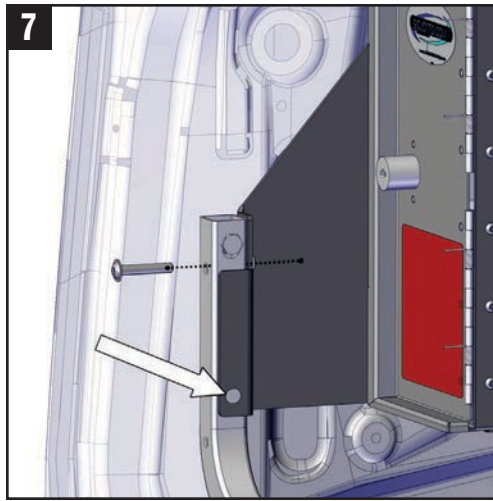
4. Remove any plastic clips holding the carpet sides in place. Gently pull aside exposing the trunk springs. Un-latch the OE spring from its location and place one of the provided springs within it for extra tension. Reconfigure the mounting locations of the OE spring to the most outer hole and the one provided to the rear hole.



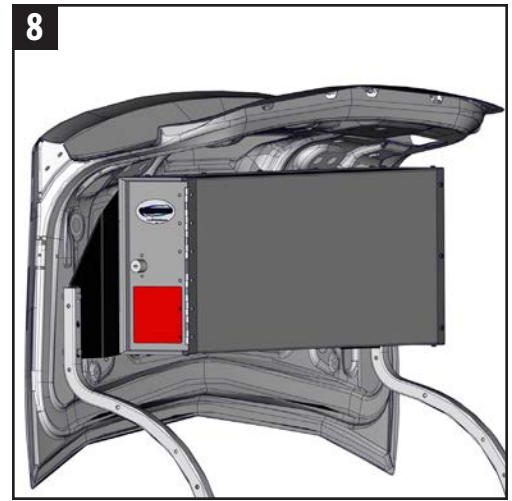
5. Attach the PS/DS Trunk Bracket to the "Stash" Gun Box with provided (4) 5/16-18 socket head cap screws. 3/16" Torx Socket Bit required.



6. Remove the (2) lower bolts securing the support arms to the trunk lid. ½" socket required.

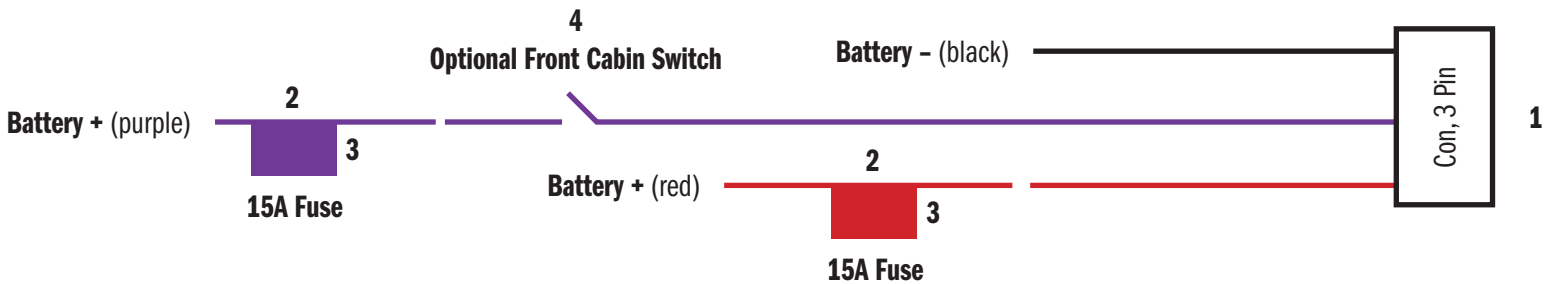


7. Align the assembled Gun Box to its mounting position on the trunk lid and loosely attach it in place with previously removed bolts. Insert the provided ¼-20 x 1.5 socket head cap screws through the upper outside hole of the trunks support arm securing the assembly into place.
NOTE: 5/32 Torx Socket Bit required



8. Replace previously removed trim and ensure hardware is secure.

GUN BOX WIRING DIAGRAM (HOOKUP HARNESS)



* - Battery connection can be Switched or Constant based on the desired function. Ignition **ON** or **OFF** function.

- 1 = 475-2111, Harness, Gun Box, External
- 2 = 450-0105, Holder, Fuse, In-Line, ATC
- 3 = 450-0199, Fuse, 15A, ATO-ATC
- 4 = 475-7208, Momentary Switch

If you have questions or need further assistance please call Technical Support: 1.877.455.6886



209 W. EASY ST., ROGERS, AR 72756 • JOTTOPUBLICSAFETY.COM • 11/23

Jotto Desk™ is a patented product and Registered Trademark of Assembled Products™ Corporation.
Specifications subject to change without notice.