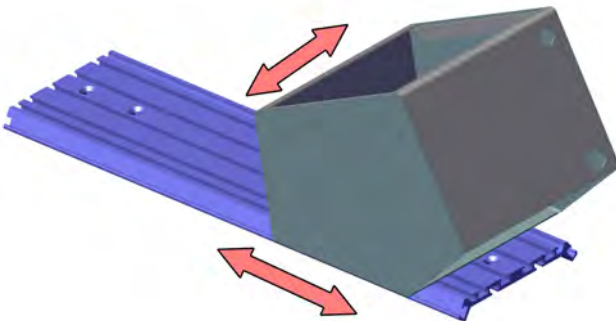
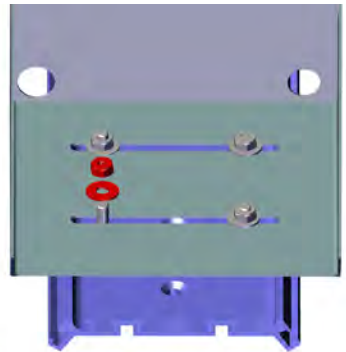


Step 1

Slide 2-3 hex head bolts along each of the top outer channels.

Step 2

Align the bolts with the slots located at the bottom of the console. Use the provided washers and nylock nuts to attach the console. Finger tighten.



Step 3

Adjust the console by sliding along the floor plate to desired position, keeping clear from devices in the dash area. Console can be adjusted vertically and horizontally. Secure hardware.