



INSTALLATION INSTRUCTIONS

GR4-ZRT

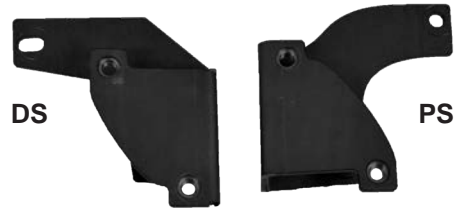
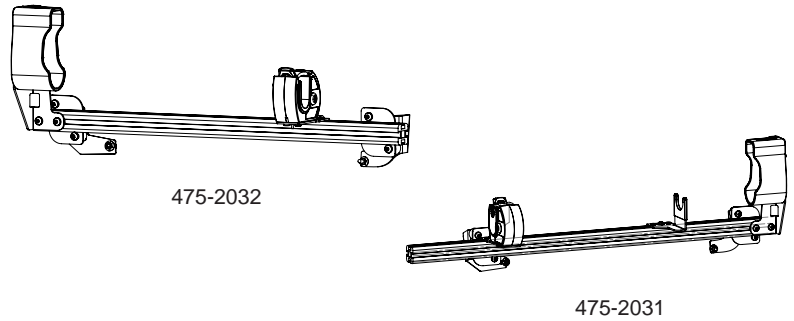
PI UTILITY '13-'19 475-2031/2032

Tools Required:

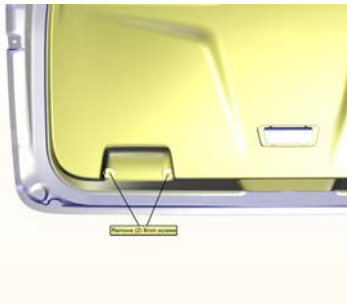
- Ratchet
- 8mm Socket
- 7/16" Socket
- 3/16" Hex Head
- 7/16" Wrench
- Utility Knife
- Drill
- 3/8" Drill

Parts Included:

- Hardware Bag With Necessary Nuts, Bolts, Etc.



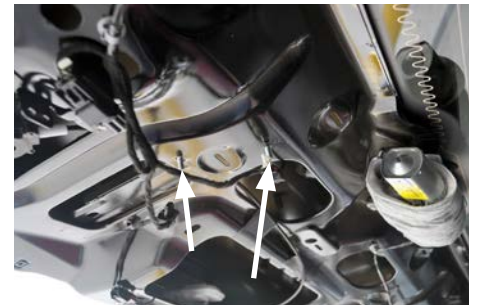
Inner Mounting Brackets



Take cover off of handle area and remove (2) 8mm bolts. Then proceed to remove entire rear hatch panel by pulling straight back away from hatch frame.



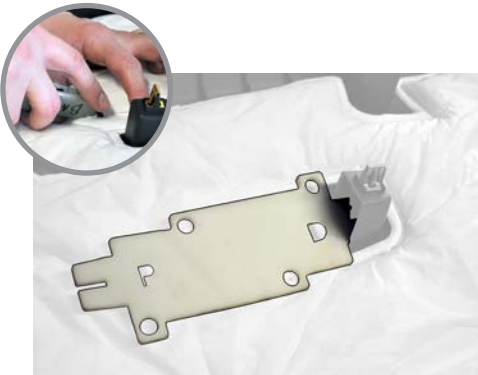
Remove (4) wire clips by reaching inside exposed panel. While squeezing the sides of the wire clips pull away from the exposed panel.



Insert provided carriage bolts through rear of exposed panel in the locations where wire clips were. Secure inner mounting brackets in place with provided flange nuts.



Tape wires out of the way of brackets



Using provided plastic template, mark inside of rear door panel. Then with a utility knife cut away insulation.



Slot template as shown and pre-drill (2) holes, using the D for Driver Side and P for Passenger side to indicate required holes. Repeat for other side.



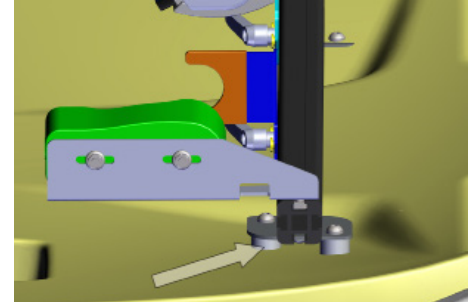
INSTALLATION INSTRUCTIONS Hatch GR4 - PI UTILITY



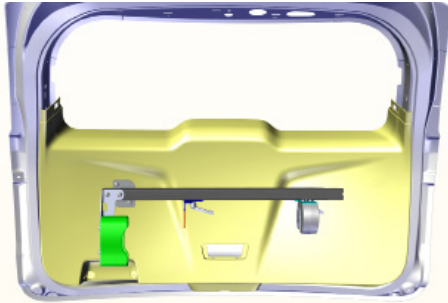
Then flip the hatch door panel over and using a 3/8" drill bit drill out hole locations.



Snap rear hatch panel back into place and then reinstall handle. Close hatch and install gun rack from inside for easiest installation.



The mounting brackets are only partially tightened for adjustment purposes. Place provided bolt through bracket, Delron spacer and thread into inner mounting brackets.



Once gun rack has been attached and weapon fit, completely tighten mounting brackets to frame and gun rack to inner mounting brackets.

