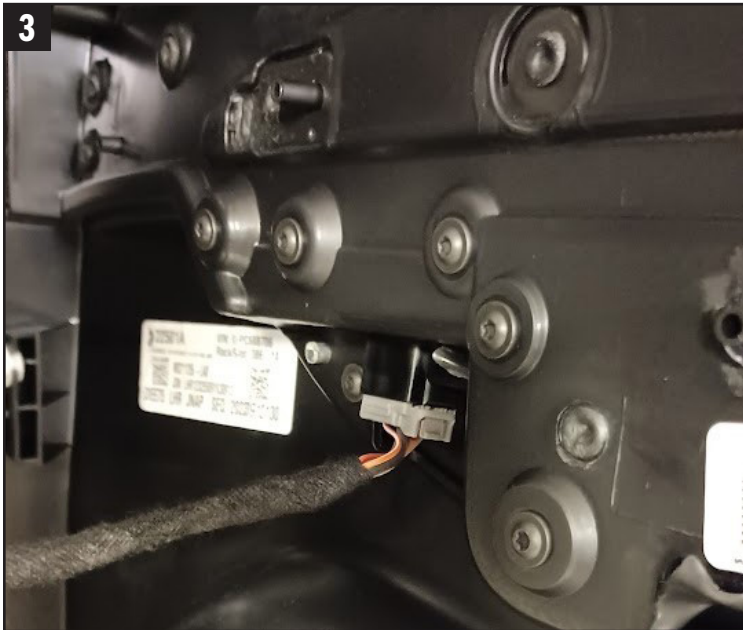


1 Remove the Latch Cover and Handle Cover to gain access to the OEM hardware. 10 mm Socket / Phillips required.



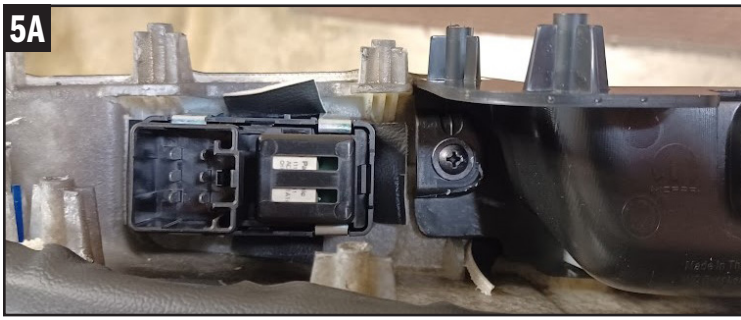
2 Using a trim removal tool, start from the bottom popping loose the Door Panel loose from the frame structure.



3 Unplug the window switch.



4 Remove the (16) screws from the back side of the door panel, removing the armrest section from the panel. Torx-15 Socket required.



5. Squeeze the tabs while pressing it down to remove the window switch. Once removed secure and tape to the door frame.



6. Remove the (3) speaker screws. 6 mm Socket. Speaker not reused.

ASSEMBLY DOOR PANELS

1. Position the outline of the ABS Door Panel to the shape of the OEM door frame.
2. Use (4) provided plastic Push-In Retainers, (1) M6 Flat Head Cap Screw and (9) Phillips Head Tek Screws to attach ABS Door Panel to OEM door frame mounting points.



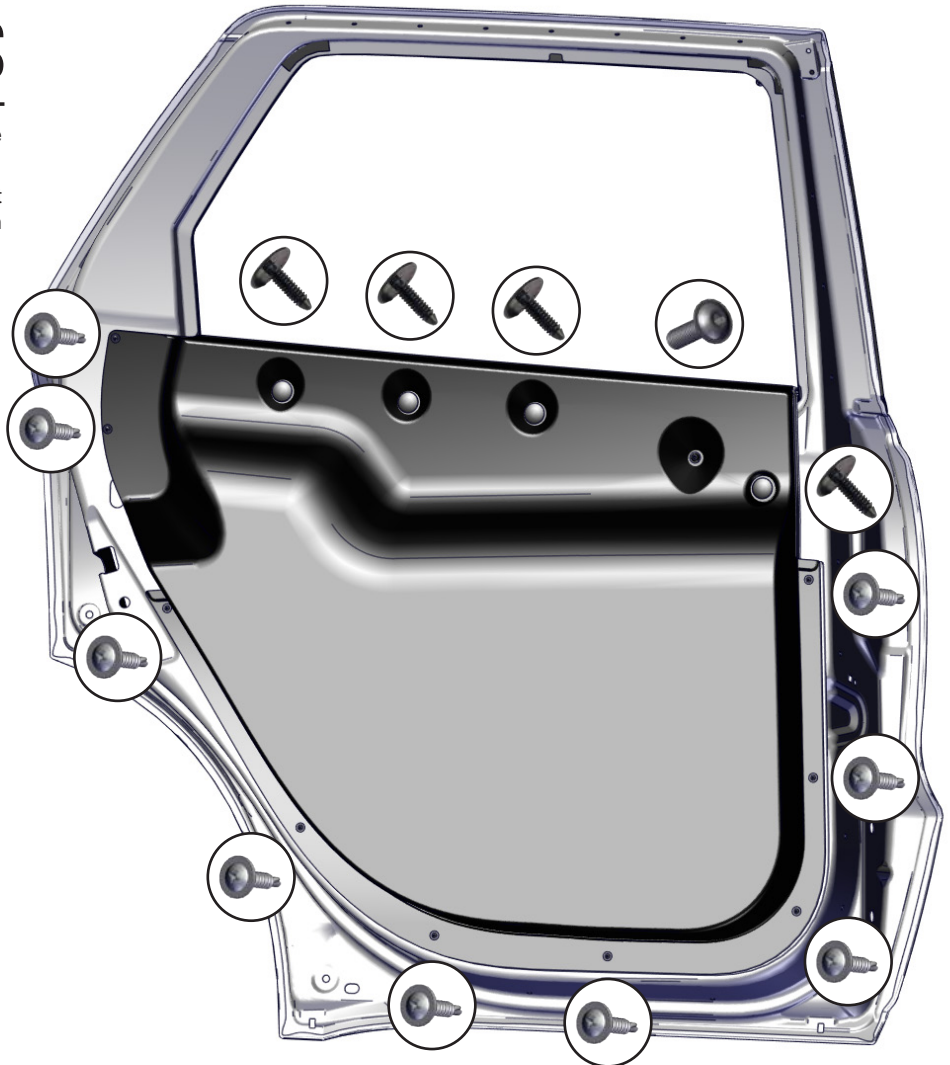
Push-In Retainers



Phillips Head Tek Screws



M6 Flat Head Cap Screw



If you have questions or need further assistance please call Technical Support: 1.877.455.6886



209 W. EASY ST., ROGERS, AR 72756 • JOTTOPUBLICSAFETY.COM • 4/24

Jotto Desk™ is a patented product and Registered Trademark of Assembled Products™ Corporation.
Specifications subject to change without notice.

050-0213-00