



THE MAMBA MOUNT

DODGE CHARGER - CONSOLE SIDE MOUNT

Specification Sheet

425-0022/4138

- 12" Motion Arm
- Tilt/Swivel
- Smart Zone Design
 - Store & Drive
 - Park & Work
 - Tactically Safe



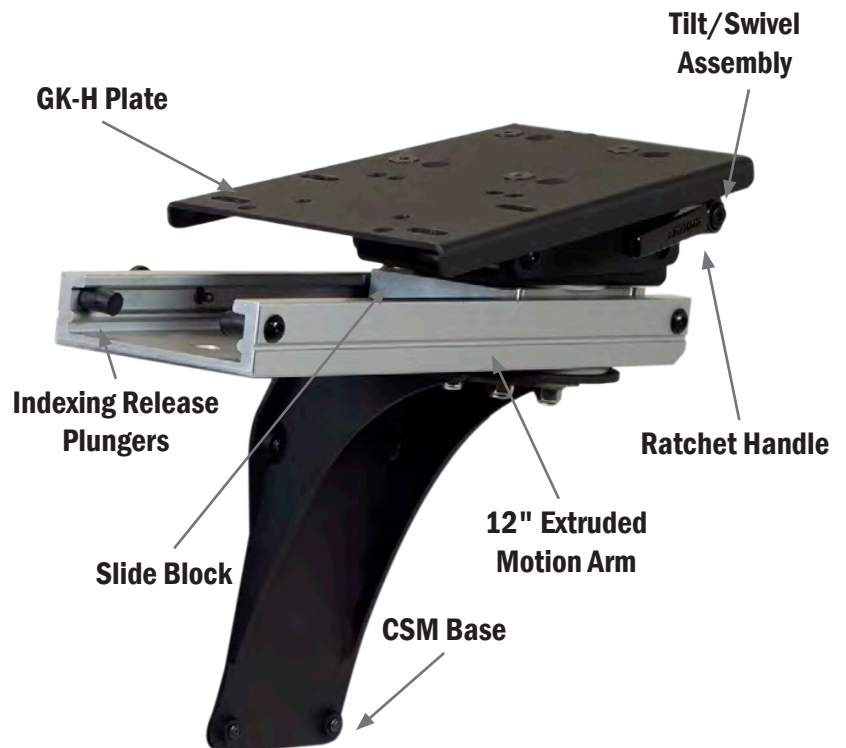
425-0022/4138

**MAMBA MOUNT WITH A-MOD
(TALL CLAMPS)**

BUILT TO FIT

Dodge Charger Pursuit

• 425-6644 Contour Console



209 W. EASY ST., ROGERS, AR 72756 • JOTTOPUBLICSAFETY.COM • 6/24

Jotto Desk™ is a patented product and Registered Trademark of Assembled Products™ Corporation.
Specifications subject to change without notice.





THE MAMBA MOUNT

DODGE CHARGER - CONSOLE SIDE MOUNT

Ordering Options

425-0022/4138

425-0022

**MAMBA MOUNT
(BASE ONLY)**



425-4138

**MAMBA MOUNT WITH A-MOD
(TALL CLAMPS)**



Width.....11.25" to 13.625"
Depth9.25" to 11" (with extensions)
Clamp Height.....1" to 2.25" (Tall Clamp)
Weight:4.65 lbs. (5.65 lbs with GK Plate)

425-4152

**MAMBA MOUNT WITH A-MOD
(SHORT CLAMPS)**



Width.....11.25" to 13.625"
Depth9.25" to 11" (with extensions)
Clamp Height.....0.5" to 1.10" (Short Clamp)
Weight:4.65 lbs (5.65 lbs with GK Plate)

425-4139

**MAMBA MOUNT WITH A-MOD XL
(SHORT CLAMPS)**



Width.....13.5" to 16"
Depth9.25" to 11" (with extensions)
Clamp Height.....0.5" to 1.10" (Short Clamp)
Weight:5.1 lbs (6.1lbs with GK Plate)

425-4154

**MAMBA MOUNT WITH A-MOD XL
(TALL CLAMPS)**



Width.....13.5" to 16"
Depth9.25" to 11" (with extensions)
Clamp Height.....1" to 2.25" (Tall Clamp)
Weight:5.1 lbs (6.1lbs with GK Plate)



The A-MOD is engineered to be lightweight, yet rugged. Manufactured from steel, high strength aluminum, and composite materials where it makes sense. It's not real security if a laptop can be simply be stolen by jimmying the lock or bending the clamps. The A-MOD features a high-security solid brass tubular lock and case-hardened steel clamps.

A-MOD DESKTOP (450-4138)

- A. Side Clamps, Short or Tall (Case Hardened Steel)
- B. Front Tabs (Case Hardened Steel)
- C. Rear Tabs and Offset Rear Tabs (Case Hardened Steel)
- D. Tubular Lock - Solid Brass/High Security
- E. Side Trays
- F. Rear Tray
- G. Latch Release Handle



VEHICLE MOUNTING SOLUTIONS