

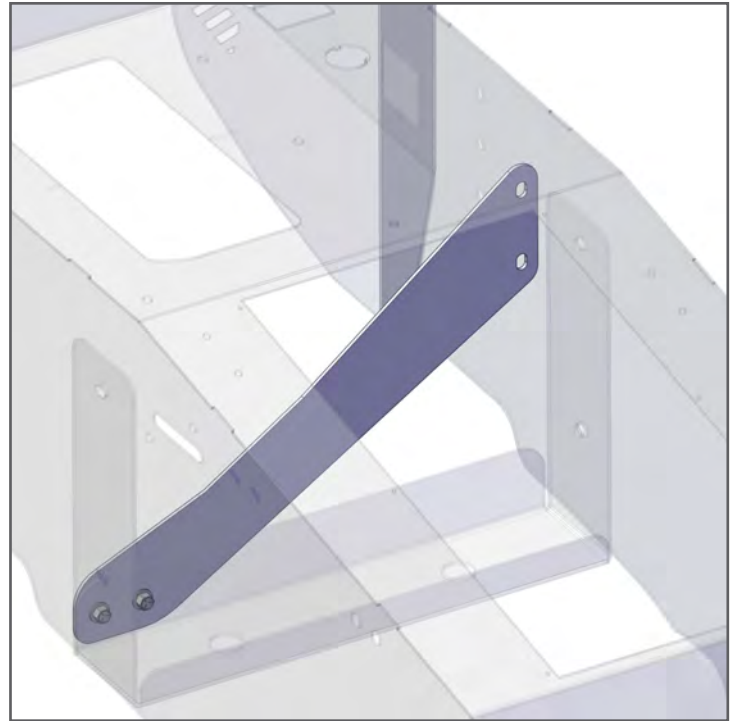
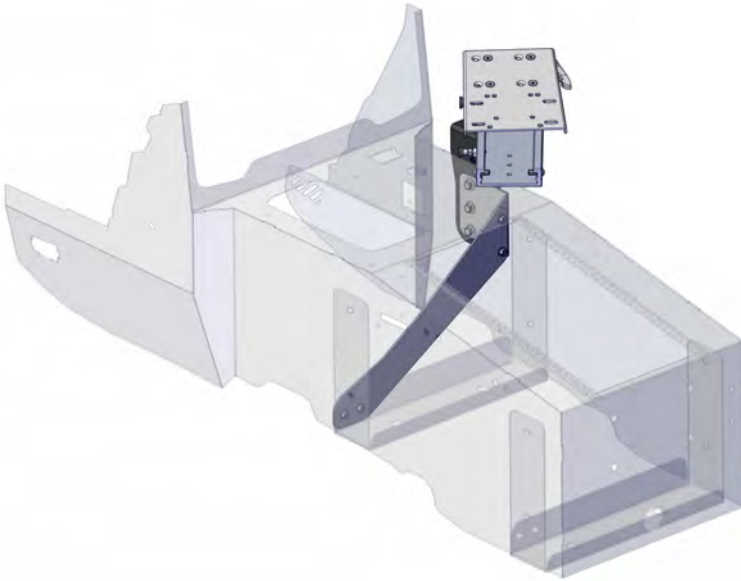


# THE MAMBA MOUNT

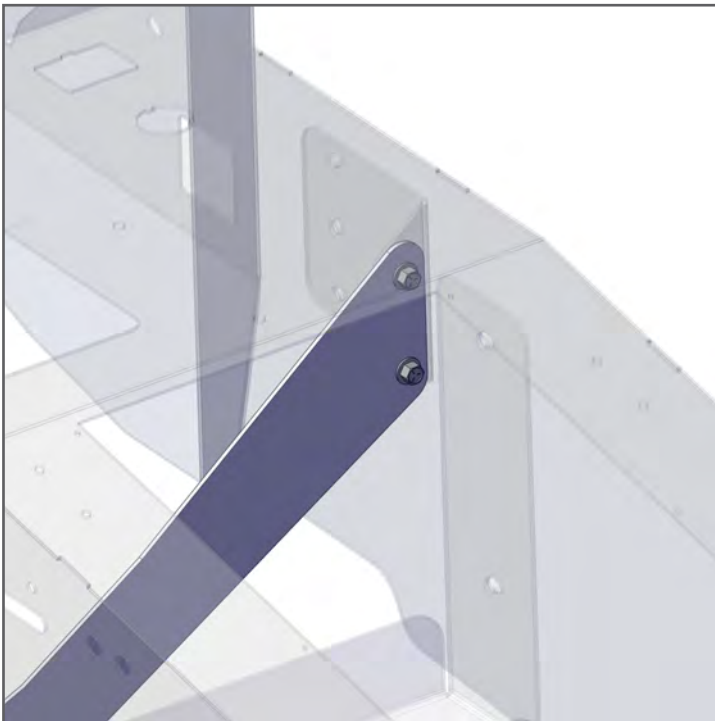
## 2021+ FORD F-150 LIGHTNING

### Installation Instructions

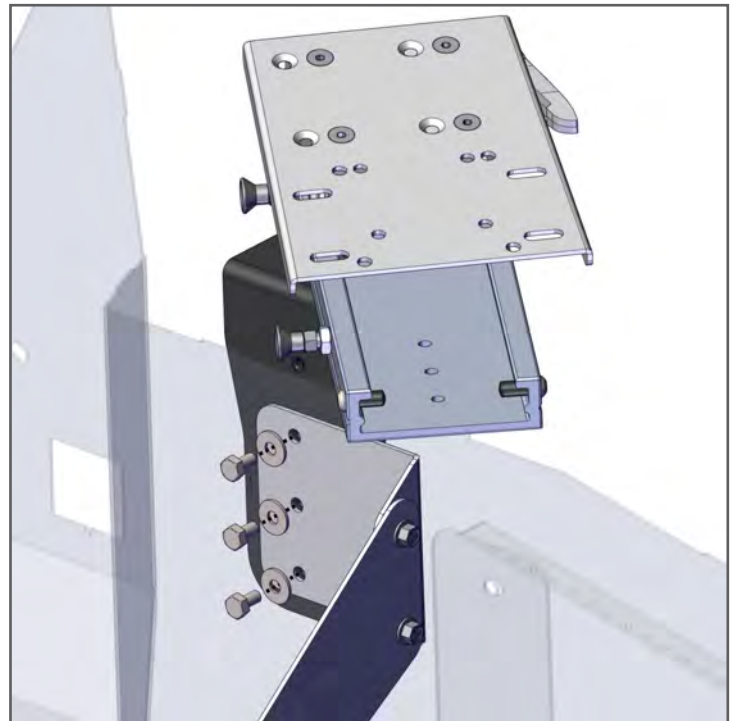
425-0046



1. Loosely attach the Cross Brace to the Consoles front lower support Mount Bracket with (2) 1/4-20 bolts



2. Attach the Stiffener Plate to the upper side of the Cross Brace with (2) 1/4-20 bolts.



3. Secure the chosen Mamba Mount to the Console with provided 1/4" bolts and washers. When secure, go back and fully tighten all previously attached hardware.

**If you have questions or need further assistance please call Technical Support: 1.877.455.6886**



**209 W. EASY ST., ROGERS, AR 72756 • JOTTOPUBLICSAFETY.COM • 5/24**

Jotto Desk™ is a patented product and Registered Trademark of Assembled Products™ Corporation.  
Specifications subject to change without notice.

050-0011-00

