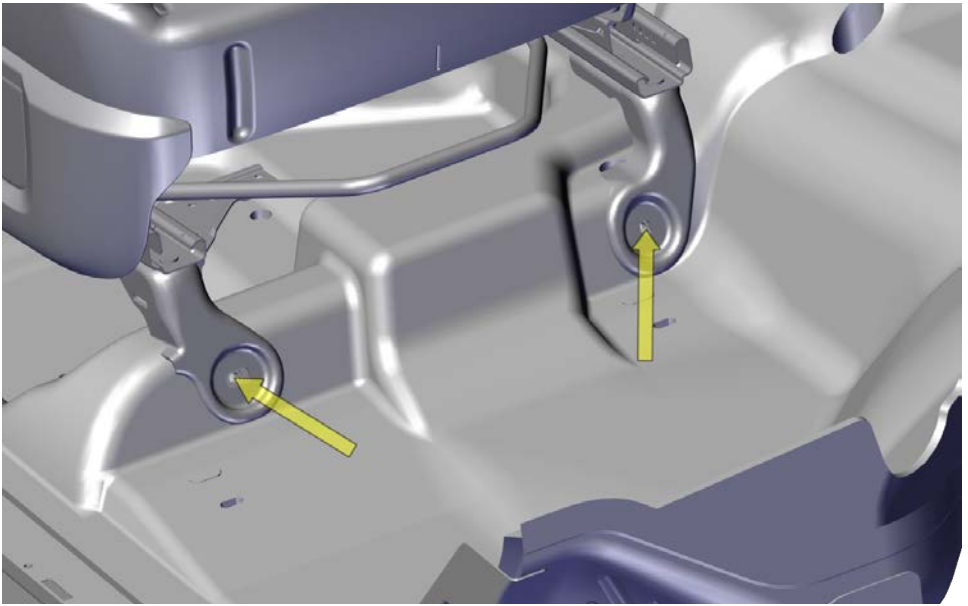




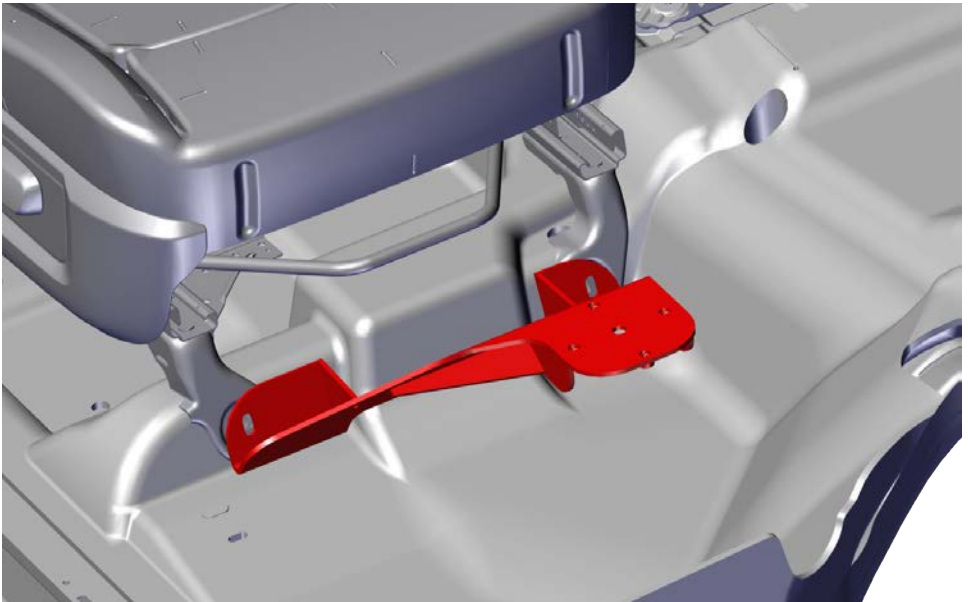
HD NO HOLES MOUNT  
2015-2019 RAM SSV

425-5107

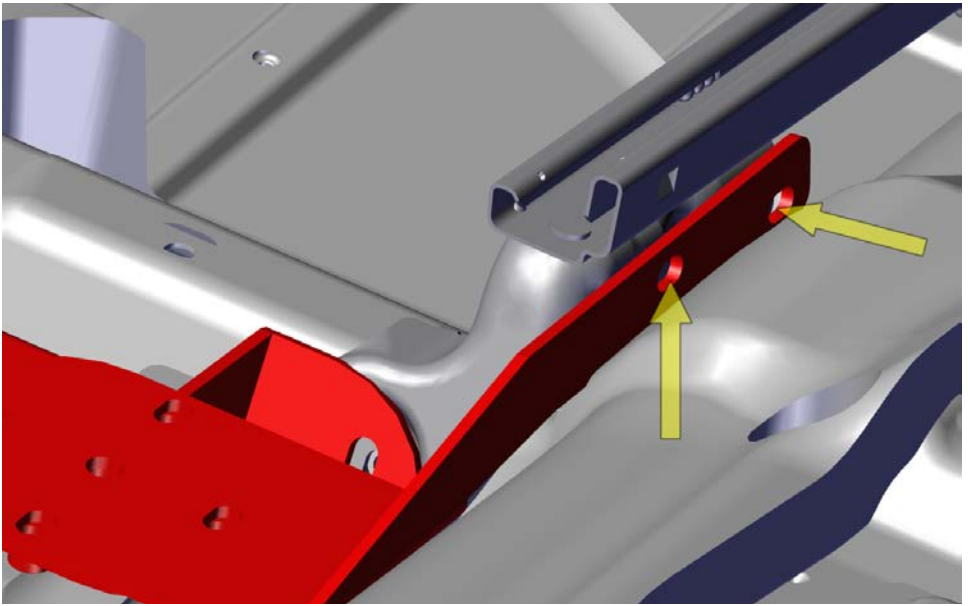




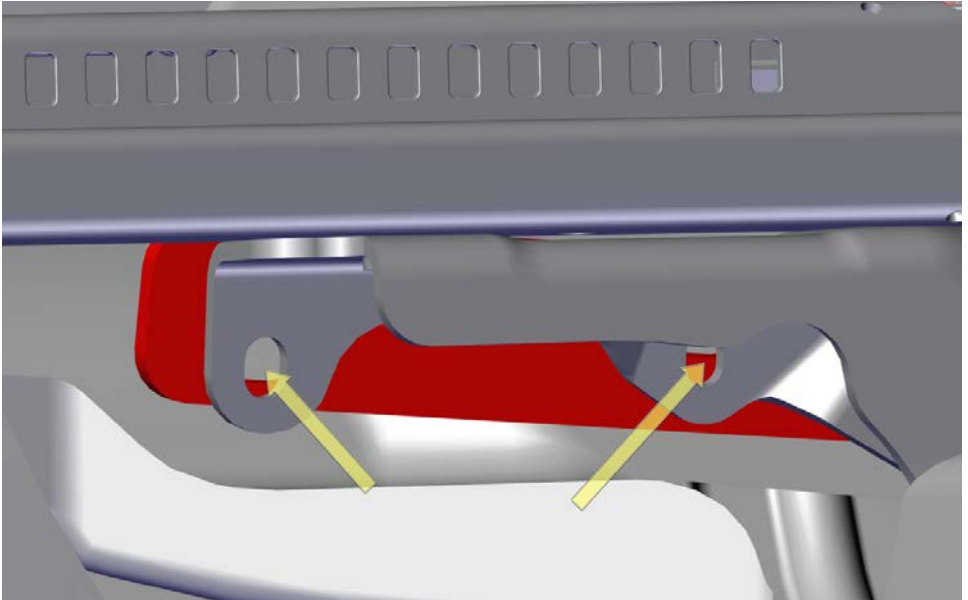
Remove the two trim covers to access the front OEM bolts of the passenger seat. Remove the front bolts using a 15mm socket.



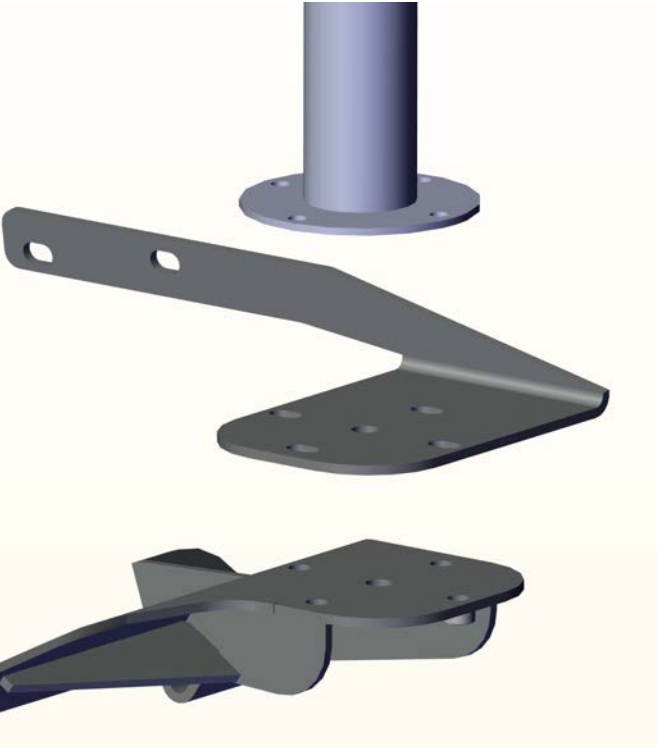
Align the base to the holes, snug the factory bolts to hold the base in place.



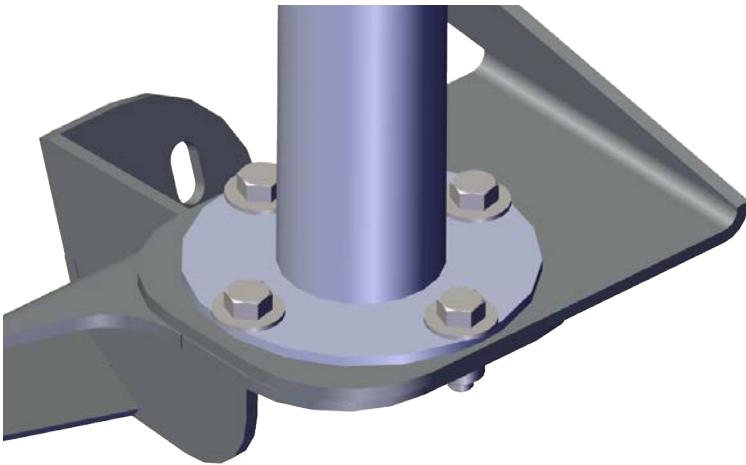
Align the brace to the outside of the seat track next to transmission hump. Align the holes to the ones in the lower seat track rails.

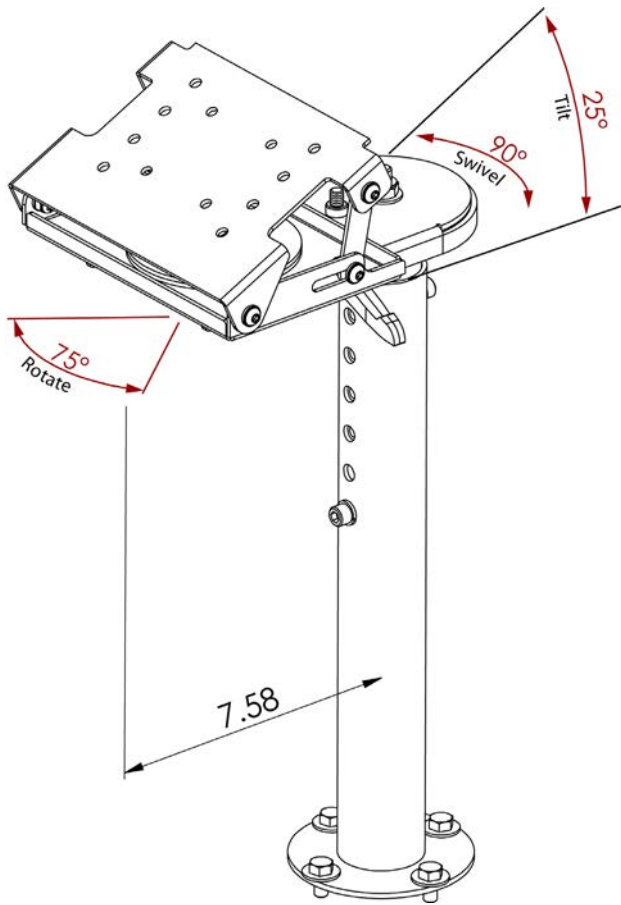


Insert the two 1/4-20 bolts through the side brace and snug with the 1/4-20 nuts using a 7/16" socket and wrench.



Use a 1/2" socket to secure the upright stand assembly to the base with the provided (4) 5/16-18 bolts and washers. Note: The height adjustment bolts should be positioned bumper to bumper when properly installed.





Adjust the height of the tube assembly as needed by removing the (2) 5/16-18 socket head cap screws with the provided 1/4" hex key. Re-tighten once desired height is reached.

Open the tilt mechanism fully to allow the attachment of your docking station and/or desktop. Once the desktop is secured to the tilt plate, you can adjust to find the optimal angle. Set the tilt angle by tightening (6) 1/4-20 socket head button screws with a 5/32 hex key and a 7/16 wrench. Rotate the arm, tighten the ratchet handle to lock the unit in place.

The horizontal arm can rotate 90° once the ratchet handle has been loosened. This will allow the driver to choose the best placement of the computer. Once desired position has been reached, retighten ratchet handle.

The desktop/computer can be rotated 75° without the need to loosen/tighten anything. The design utilizes friction discs to make final adjustments easier.

# A-MOD DESKTOP



A Jotto Desk Laptop Mount featuring the A-MOD Desktop is the ultimate desktop solution to secure a laptop computer in a mobile environment. The fully adjustable A-MOD Desktop features a lightweight, yet rugged lockable design with superior ergonomics.



## A-MOD DESKTOP

- A. Side Clamps, Standard or Tall (Case Hardened Steel)
- B. Front Tabs (Case Hardened Steel)
- C. Rear Tabs and Offset Rear Tabs (Case Hardened Steel)
- D. Tubular Lock - Solid Brass/High Security
- E. Side Trays
- F. Rear Tray
- G. Latch Release Handle

## ORDERING INFORMATION

### 450-4138 A-MOD Desktop, Adjustment Range Dimensions:

**Width:** 11.25" to 13.625"

**Depth:** 9.25" to 11" (with extensions)

**Clamp Height (Tall Clamp):** 1" to 2.25"

**Weight:** 4.65 lbs.

### 450-4139 A-MOD XL Desktop, Adjustment Range Dimensions:

**Width:** 13.5" to 16"

**Depth:** 9.25" to 11" (with extensions)

**Clamp Height (Standard Clamp):** 0.625" to 1.25"

**Weight:** 5.1 lbs.



# REPLACEMENT COMPONENTS



A-MOD Desktop  
450-4138 Regular  
450-4139 XL



HD Base, Ram  
425-3756



HD Stand Assembly  
425-5611



CF31 Intelligent Docking Station  
450-4103 Dual Wireless Pass  
450-4102 Wireless Pass  
450-4101 Standard



CF53 Intelligent Docking Station  
450-4111

# JOTTO DESK ACCESSORIES



USB Light  
425-2082 (A-MOD)  
425-2490 (Docking Station)

12" flexible wand with blue LED's and rheostat to adjust brightness. Three foot power cords into cigarette lighter



Screen Support  
425-5999 (Docking Station)

The Screen Support is designed to keep your screen in place while you use your computer. It attaches directly to the desk and adjust in height and tilt angle.

