



CONSOLE SIDE MOUNT (CSM) UNIVERSAL

Specification Sheet

425-5542/5215

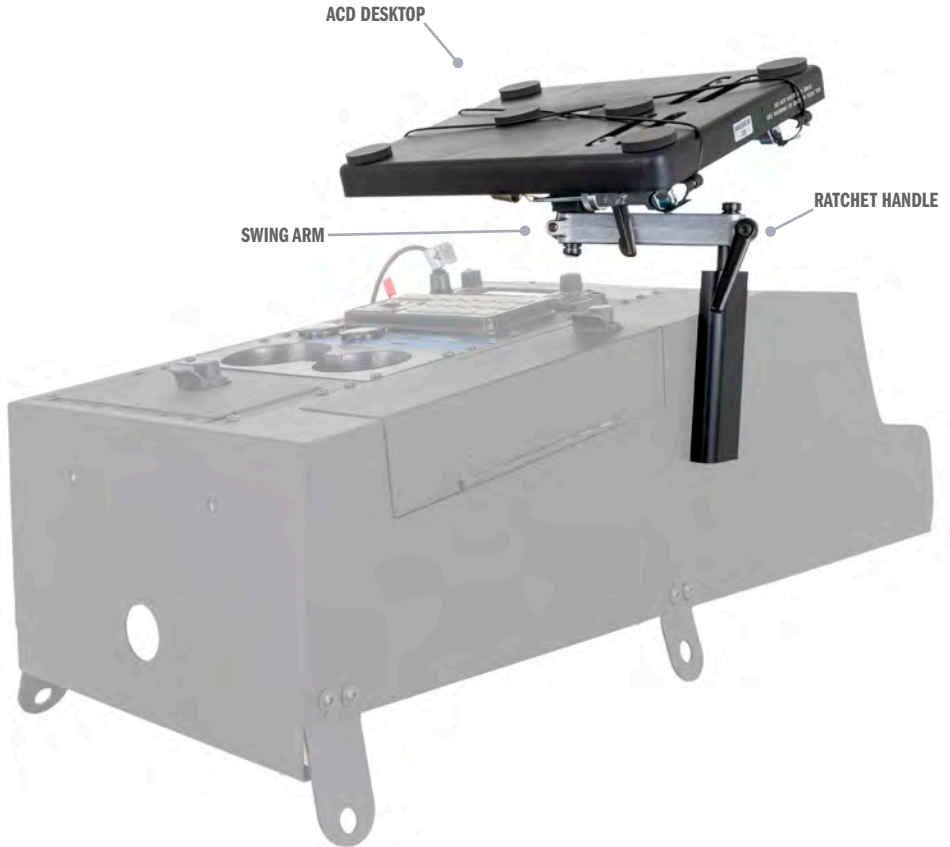
DETAILED INFORMATION

Console Side Mount

- Height Variation**Adjustable to desired height
- Swing Arm**1" x 6 3/4"
· Solid Aluminum, Black Anodized
- Base Mount** 5/8" Mounting Post
· One-piece Side Mount Base

ACD (ABS Cable-Dock® Desktop)

- Length** 12"
- Width** 10"
- Height** 1"
· ABS Plastic · 1/4" Wall Thickness · 22" Cables
· 6" Square 11 Gauge Steel Mounting Plate
· 5/8" Aluminum Post Connector



WHY THE CABLE-DOCK® DESKTOP?

The Cable-Dock® is a patented, truly innovative and proven method for effectively securing a laptop computer in a mobile environment.

- We provide shock absorbing pads while others don't.
- We allow air to circulate underneath the laptops while others don't.
- We embrace and conform to the whole body of the laptop rather than just contain the edges and sides as others do. Why? All laptops are not equal in shape.
- We have built-in back-up for keeping the laptop secure in case cable latch release is accidentally opened while others don't.
- We mount all sizes of laptops while others can't.
- We are lightweight at 3.4 lbs with two adjustments for set-up while others weigh 9-10 lbs. with 7-10 adjustments.

HOW TO ORDER

Computer Mount Model

425-5542/5215

Includes: Desktop, Swing Arm, Side Mount Base, and Hardware

Base

425-2827

ABS Cable Dock® Desktop

Rotates 360° with ergonomic platform tilt. Two (2) nylon coated stainless steel cables secure notebook computer to desk. "One Hand" operation for removing and securing computer. Six (6) foam pads lift the computer off of the desktop providing shock absorption and air flow under computer.

Swing Arm

Rotates 360° around stand and extends 6.75".

Ratchet Handles

Secures swing arm positioning and allows for 360° swing arm rotation.

Side Mount Base

Mounts to side of console and secures straight arm.

CONSOLE PACKAGES

- 425-6636.....2011+ Charger Horizontal Contour Console
- 425-6473.....2016+ PI Utility IPBCC
- 425-6385.....2011+ Explorer Contour Console
- 425-6478.....2016+ PI Utility Contour Console
- 425-6268.....2015+ Tahoe w/ Locking Lid Contour Console
- 425-6445.....Standard Wide Body w/ Locking Lid
- 425-6193.....2013-2015 PI Utility 20" Contour Console



209 W. EASY ST., ROGERS, AR 72756 • JOTTOPUBLICSAFETY.COM • 6/24

Jotop Desk™ is a patented product and Registered Trademark of Assembled Products™ Corporation. Specifications subject to change without notice.

