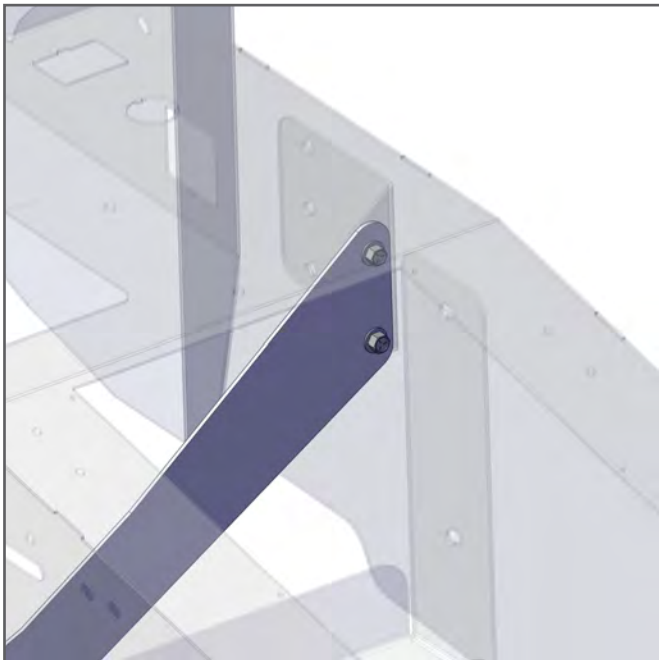
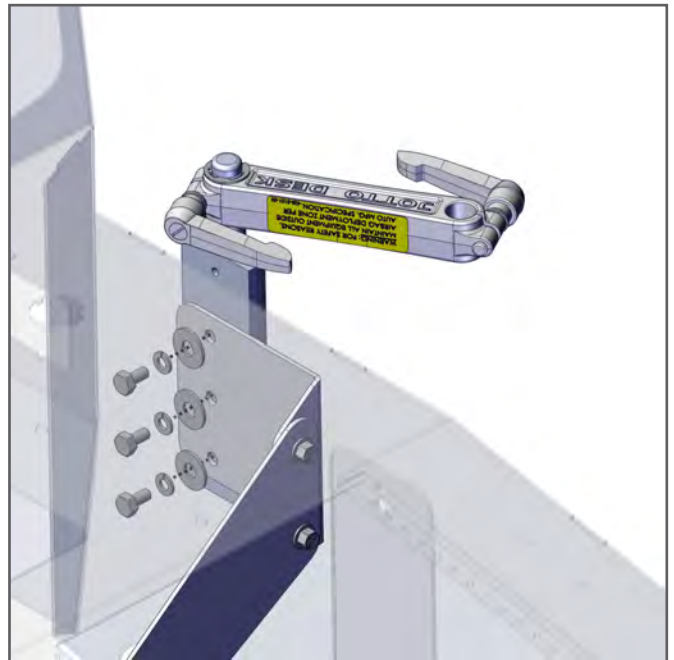


1. Loosely attach the Cross Brace to the Console's front lower support Mount Bracket with (2) 1/4"-20 bolts.



2. Attach the Stiffener Plate to the upper side of the Cross Brace with (2) 1/4"-20 bolts.



3. Secure the chosen Console Side Mount to the Console with provided 1/4" bolts and washers. When secure, go back and fully tighten all previously attached hardware.

If you have questions or need further assistance please call Technical Support: 1.877.455.6886