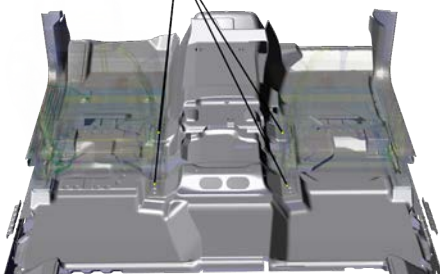


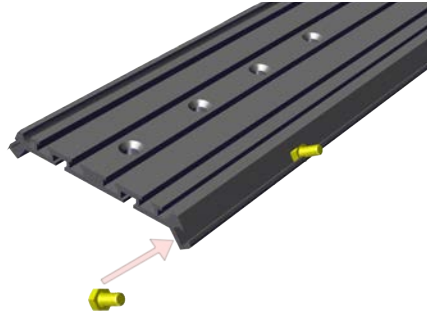
425-6204
 '00-'14 Chevy Tahoe/Silverado 2500/3500
 '00-'13 Silverado 1500
 28" Floor Plate

Installation Instructions

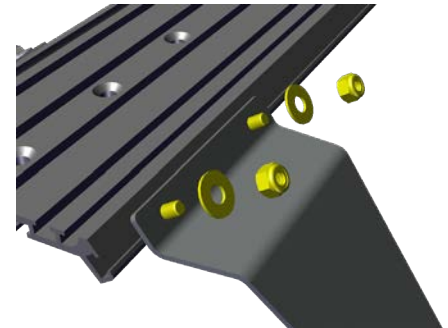
Remove inside seat bolts



Remove the front and rear inside passenger and driver inside seat bolts/nuts with a 15mm socket.

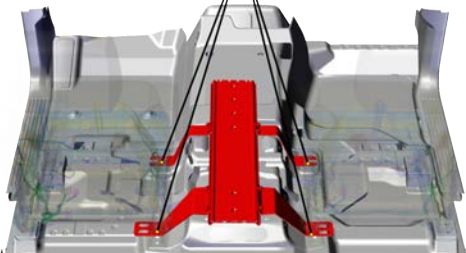


Install (8) of the 5/16-18 bolts in the side channel of the floor plate, (4) per side.

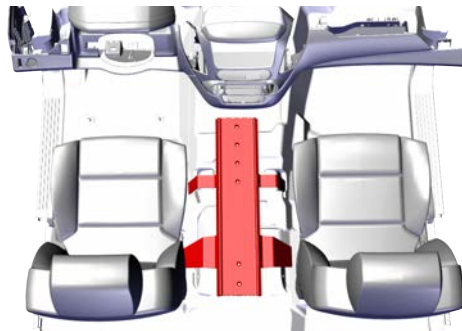


Line up the bolts that were installed in the floor plate with the holes in the four legs. Loosely secure the floor plate to the legs with the provided 5/16 washers and 5/16-18 nuts.

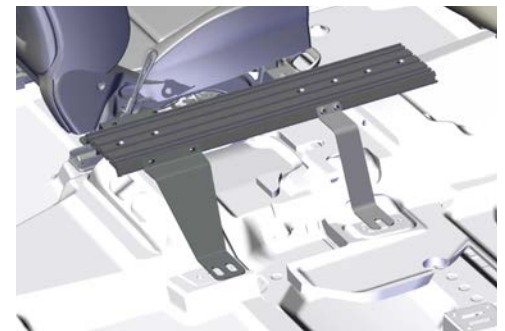
Reinstall OEM Seat bolts



Place the floor plate into vehicle and adjust legs as needed to position under seat mounting brackets. Snug the bolts/nuts, but do not tighten.



Tighten the (4) inside OEM passenger and driver inside seat bolts/nuts.



Adjust the floor plate by sliding it forward or back to clear the dash area. Once desired position is set tighten the (8) 5/16-18 bolts with a 1/2 socket.

If you have questions or need further assistance please call Technical Support: 1.877.455.6886

