



IPB CONTOUR CONSOLE

(INTEGRATED PRINTEK BROTHER)

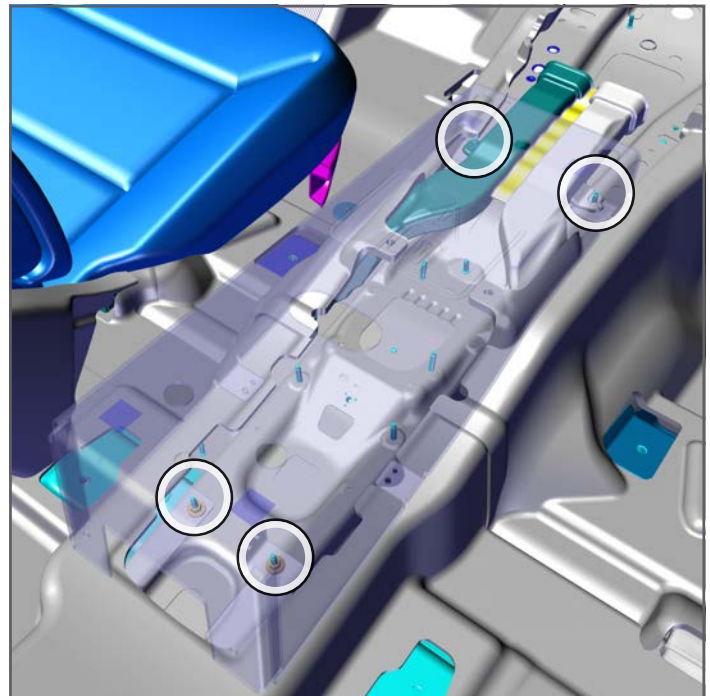
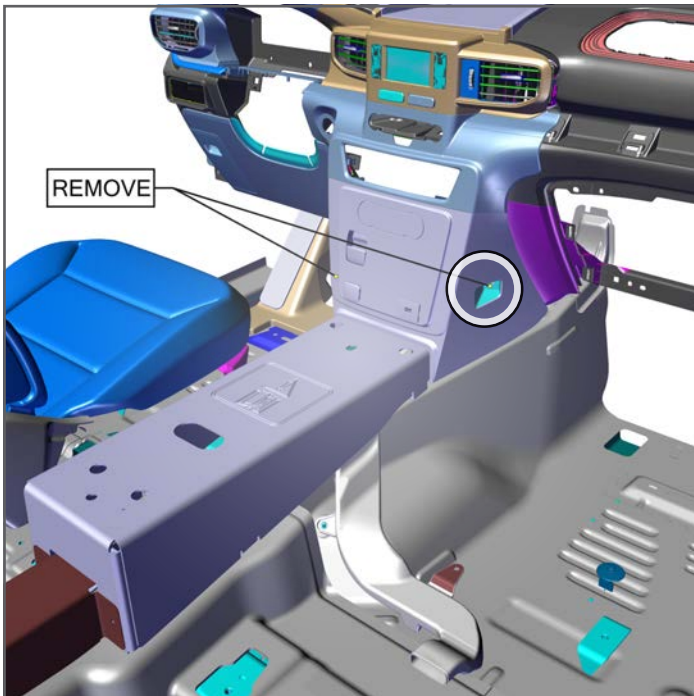
FORD PI UTILITY 2020+

Installation Instructions

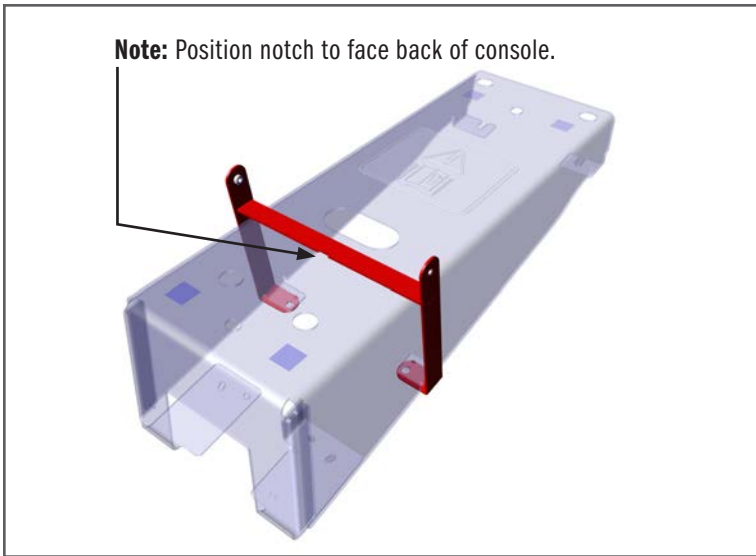
425-6508



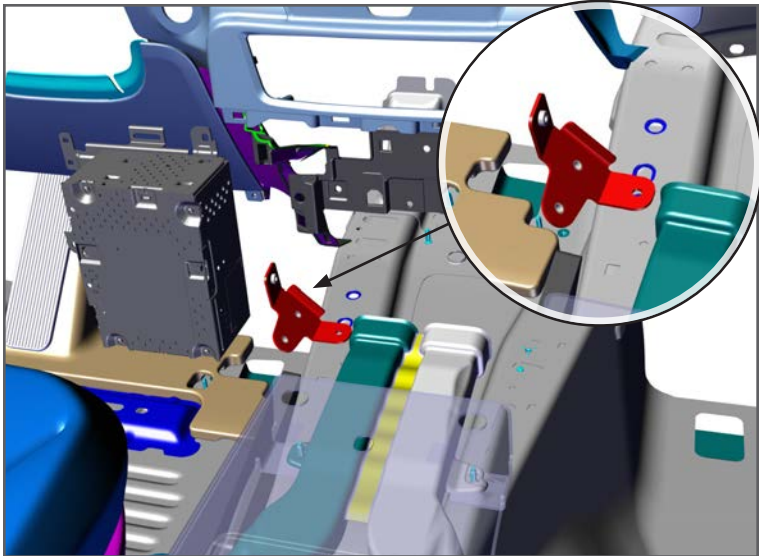
Note: Requires OEM cover plate.



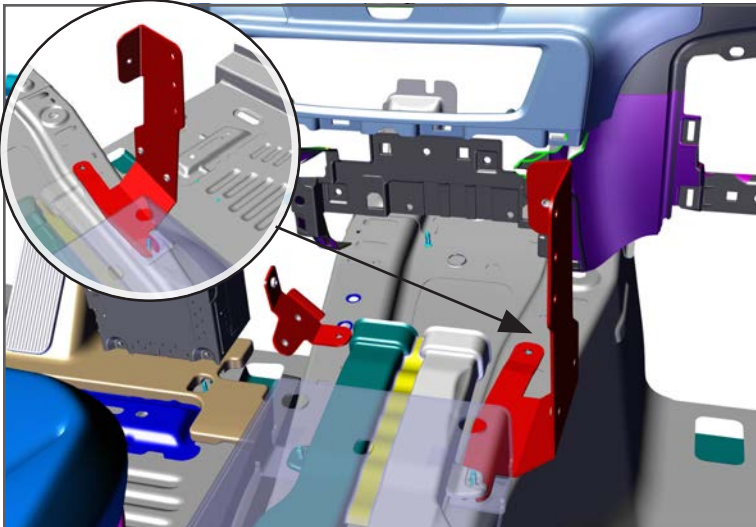
1. Unscrew lower OEM trim. Keep hardware for IPB Contour Console.
2. Remove lower OEM trim by disconnecting the 12v Power, USB, Parking Brake and Rear Air Control for relocation into IPB Contour Console.
3. Remove the factory OEM front and rear 10 mm nuts holding the OEM Cover Plate in place.
4. Temporarily remove Cover Plate from vehicle.



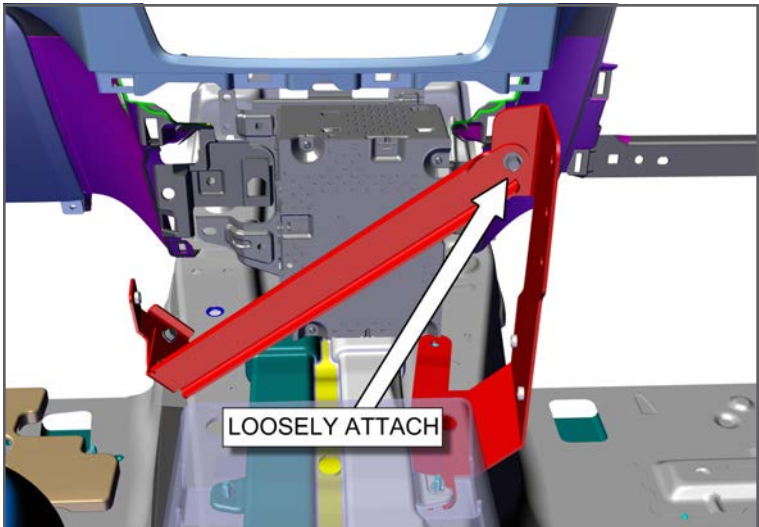
5. Attach the Rear Mounting Bracket with notch facing rear of vehicle using provided hardware.



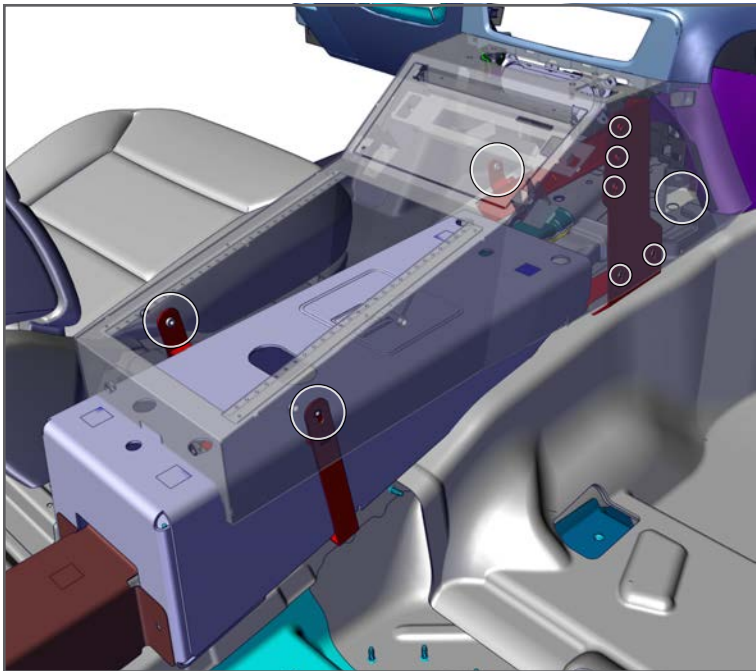
6. Remove D/S front OEM 10 mm screw and attach D/S Front Bracket.



7. Attach the P/S Front Bracket by detaching the OEM Radio and moving it to the left. Secure the D/S Front Brackets rear mounting hole to the stud, under the air ducts mounting tab with previously removed 10 mm nut.



8. Loosely attach Cross Brace to DS/PS Front Brackets with provided hardware.



- 9. Replace radio and reinstall Cover Plate. Fully tighten 10 mm nuts.
 - 10. Position the IPB Contour Console on top of the OEM Cover Plate.
 - 11. With provided hardware secure the Console to the previously attached Front and Rear Mounting Brackets and to the OEM Dash Structure with OEM screws. Fully secure Cross Brace and tighten all remaining hardware.
- (4 points for IPB Contour Console with OEM hardware; 9 points if using provided hardware.)*

**If you have questions or need further assistance
please call Technical Support: 1.877.455.6886**

