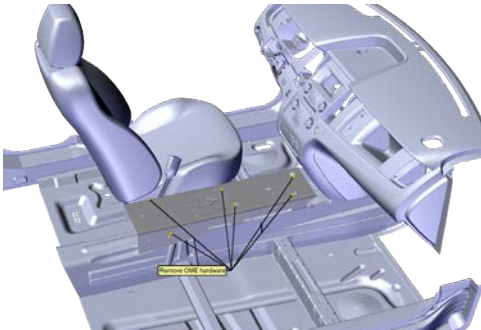
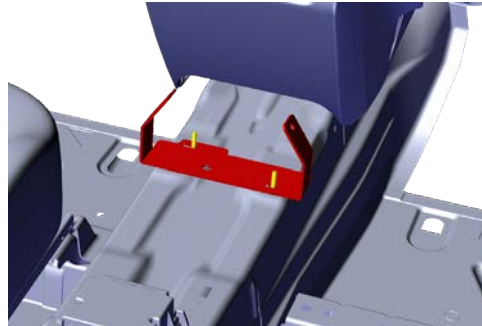


425-6614  
'13+ Ford PI Sedan  
Floor Plate

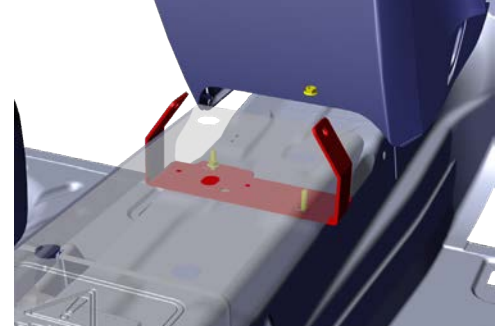
## Installation Instructions



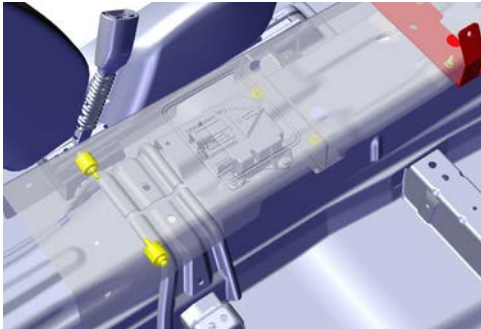
Remove the (6) OEM screws with a 10mm and 8mm socket. (4) screws on the top and (2) on the side.



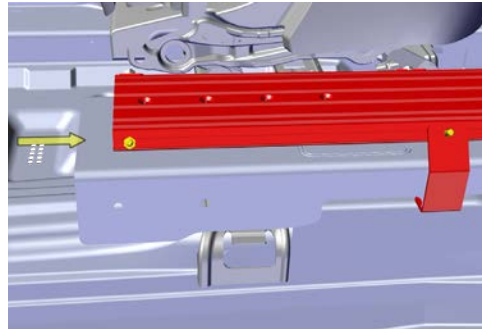
Screw the M6x50 stud into the previously removed front OEM bolt locations. Place the bracket over the studs.



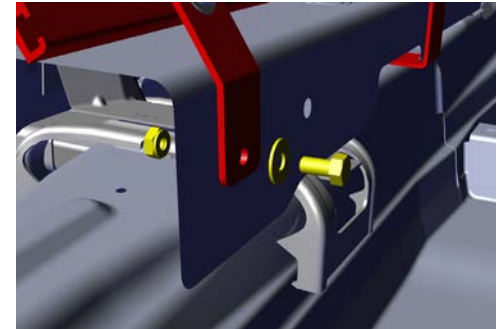
Reinstall factory floor cover on top of the floor plate bracket. Snug the M6 nuts with a 6mm socket to hold it in place.



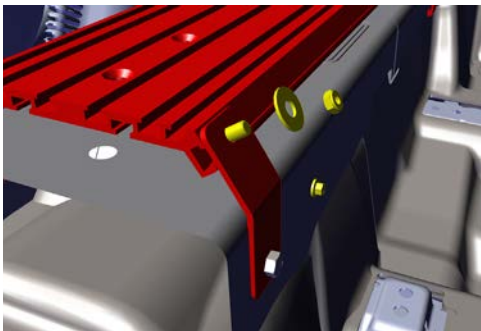
Replace the remaining OEM hardware to secure the factory OEM floor cover.



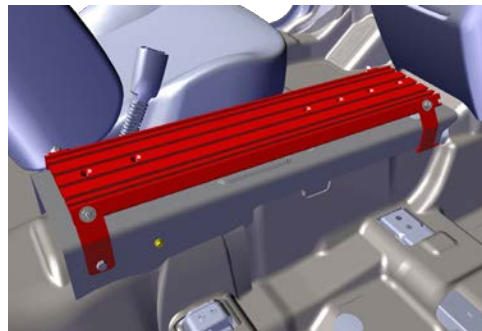
Insert the (4) 5/16-18 bolts in the side channel of the floor plate (2) per side. Align the floor plate bolts with the holes in the bracket, snug the 5/16-18 nuts with 1/2 socket to hold it in place.



Align the bracket up with the hole on the rear of the OEM floor cover. Insert the 5/15-18 bolt through the washer and secure it with the provided 5/16 nut.



Place a washer over the 5/16-18 bolt previously inserted in the side of the floor plate.



Adjust the floor plate by sliding it forward or back to clear the dash area. Once desired position is set tighten the (4) 5/16-18 bolts with a 1/2 socket.

***\*Not compatible with  
Ford Police Interceptors  
ordered with Interior  
Upgrade Package.***

If you have questions or need further assistance please call Technical Support: 1.877.455.6886



209 W. EASY ST., ROGERS, AR 72756 • [www.EVERYTHINGBUTLIGHTS.com](http://www.EVERYTHINGBUTLIGHTS.com) • 6/16

Jotto Desk® is a patented product and Registered Trademark of Assembled Products™ Corporation.  
Specifications subject to change without notice.