



INTEGRATED PRINTEK BROTHER CONTOUR CONSOLE

IPB CONTOUR CONSOLE

2015-2020 CHEVROLET TAHOE

WITH LOCKING LID STORAGE

Install Instructions

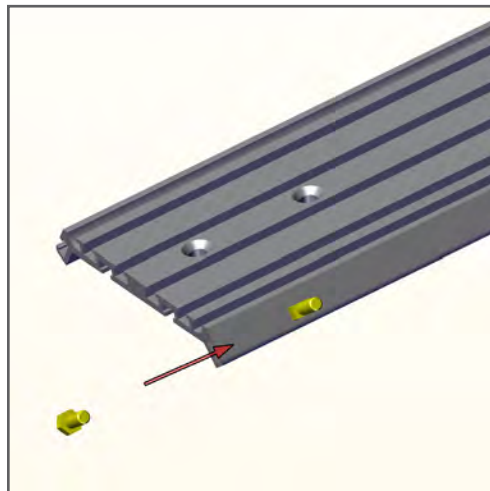
425-6621



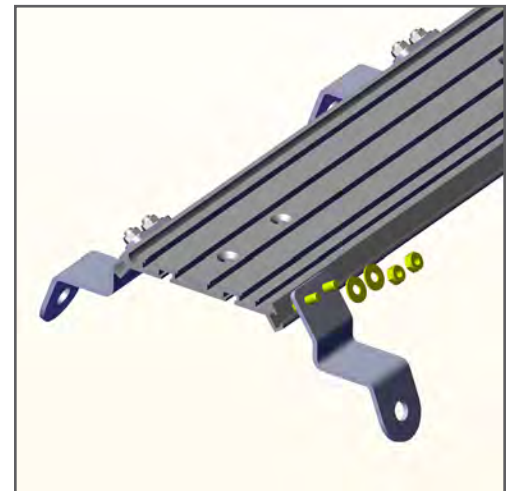
REMOVE CENTER CONSOLE AND UNPLUG ANY ELECTRICAL CONNECTORS



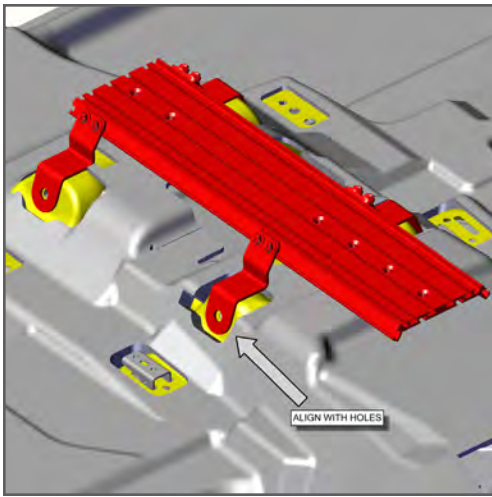
1. Remove 110V outlet from OEM dash trim. USB/SD will be on 3' cable under P/S seat.



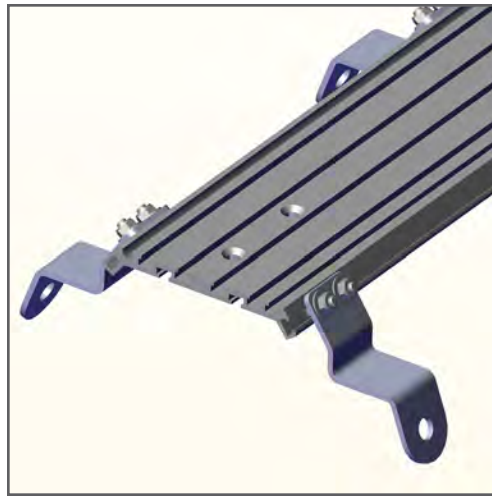
2. Install (8) of the 5/16-18 bolts in the side channel of the Floor Plate, four per side.



3. Line up the bolts with the holes in each leg and secure with the provided 5/16 washers and 5/16 nuts. Lightly tighten so that adjustment will be easier after installed in the vehicle.



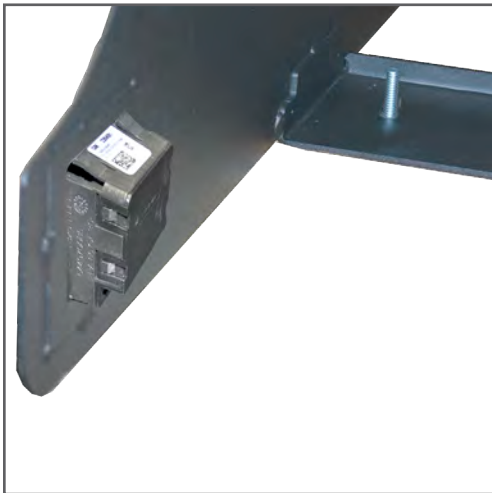
4. Align the Floor Plate Legs with the holes in floor board. Replace with OEM hardware or provided self-tapping bolts.



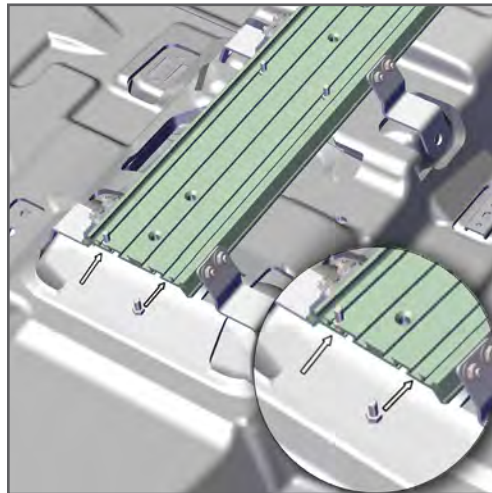
5. Once the Floor Plate is installed, adjust the floor plate (front to rear) as needed. Tighten the 5/16 nuts securing the legs with a 1/2" socket.



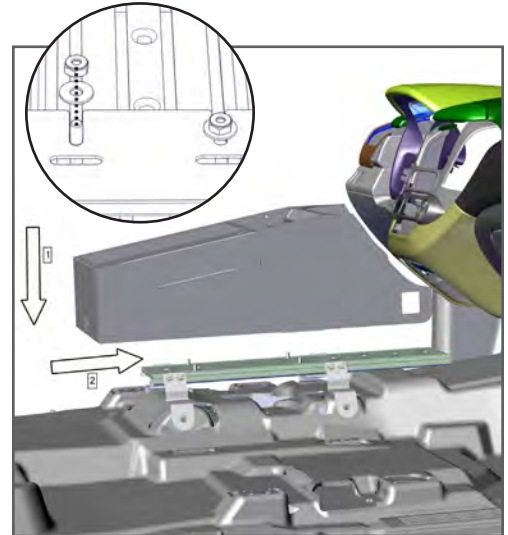
6. USB/SD connector will install inside locking lid of Jotto Desk Contour Console. Press connector until it securely snaps into place.



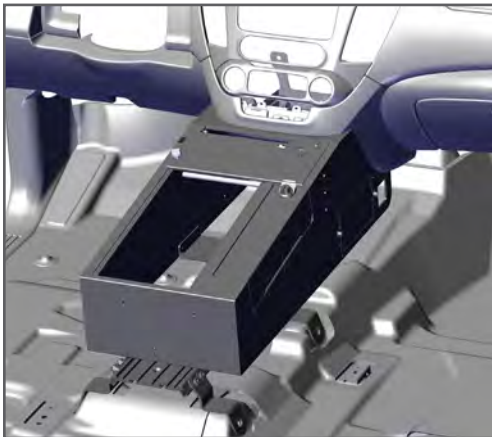
7. 110V outlet will install onto P/S of Jotto Desk Contour Console. Press connector until it securely snaps into place.



8. Slide (4) 5/16-18 bolts into the top, outside mounting slots of the Floor Plate to secure the Console.



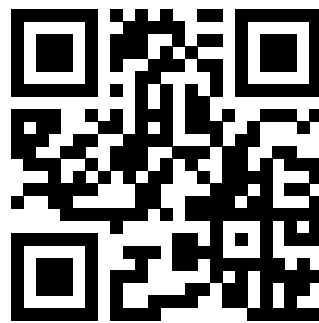
9. Set the Console on the Floor Plate. Align the bolts with the mounting slots of the Console Mounting Bracket. Add the washer and nuts - *snug, do not tighten*.



10. Adjust the Console by moving it forward and back along the Floor Plate. Move the Console to the nesting position along the dash, secure by tightening all hardware.

How to Install Brother Printer and paper roll into IPB Contour Console

See Video on our website
JOTTOPUBLICSAFETY.COM
 or QR code



A 90° USB/USB extension cable is attached to the paper roll rod. Secure one end into Printek Mobile I80 or Brother PJ6/7 printer and the other into the USB cable.

If you have questions or need further assistance please call Technical Support: 1.877.455.6886



209 W. EASY ST., ROGERS, AR 72756 • JOTTOPUBLICSAFETY.COM • 2/25

Jotto Desk™ is a patented product and Registered Trademark of Assembled Products™ Corporation.
 Specifications subject to change without notice.



050-0178-00