



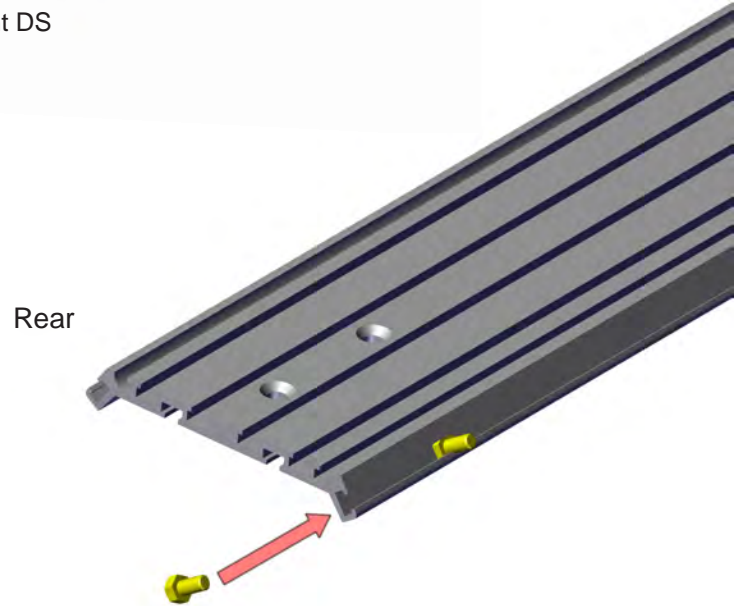
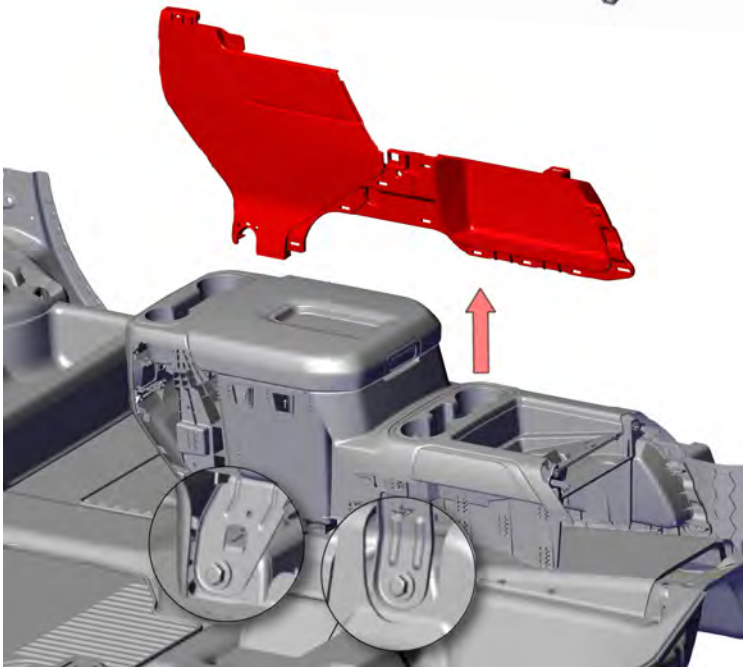
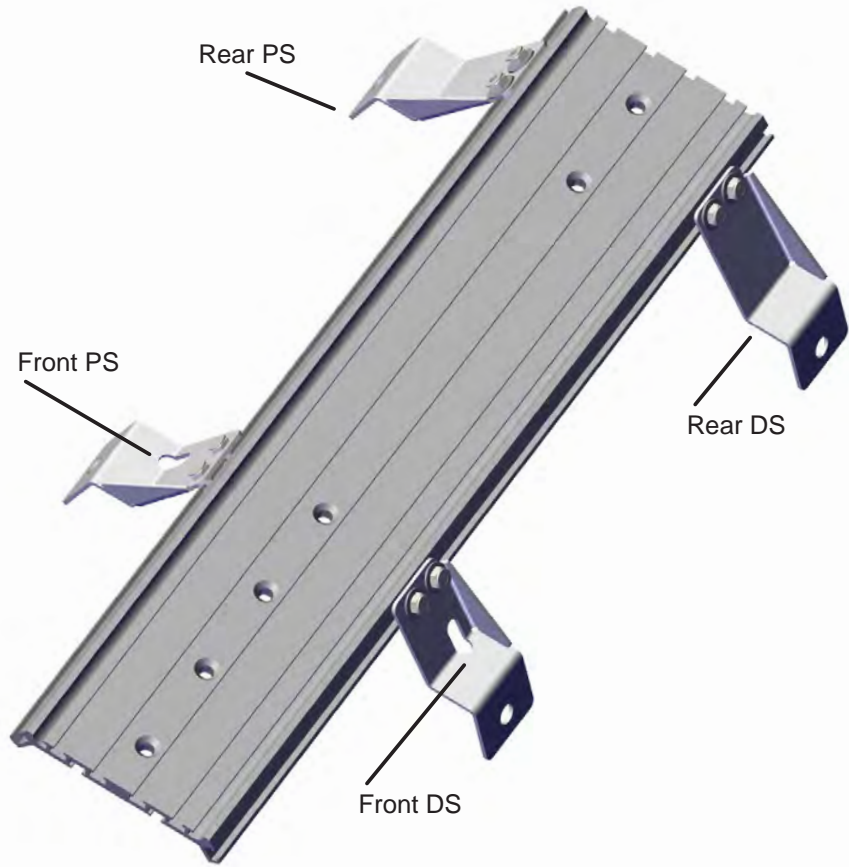
28" FLOOR PLATE

2019+ CHEVY SILVERADO "T1" 1500 | 2020+ CHEVY SILVERADO 2500

Specification Sheet

425-6659

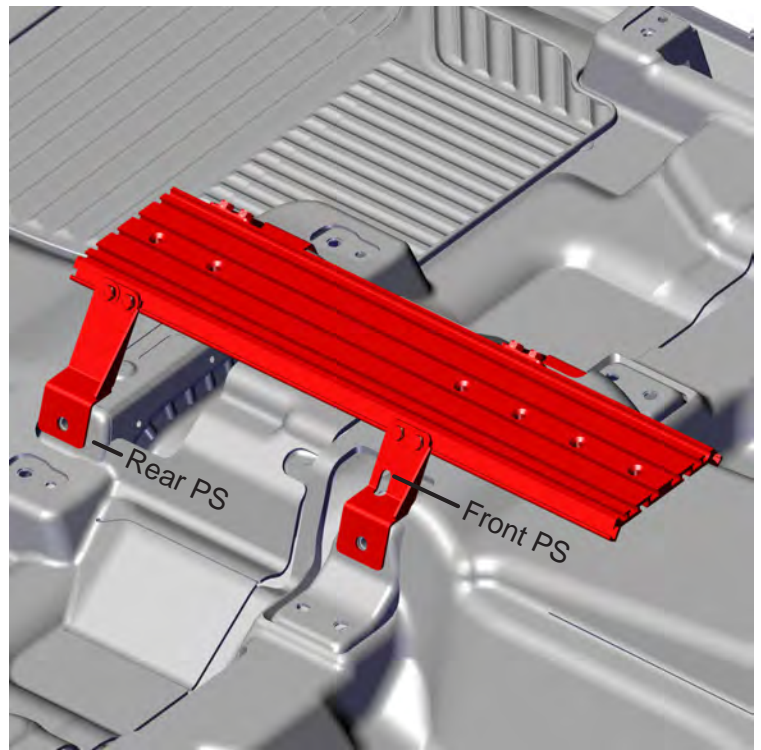
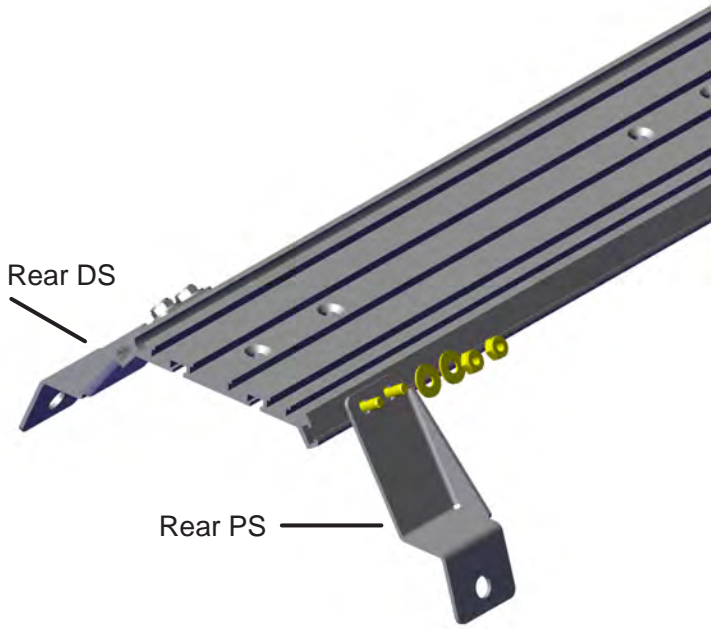
425-6660



Unsnap side trim from left and right of center console exposing center console OEM bolts. Remove center console.

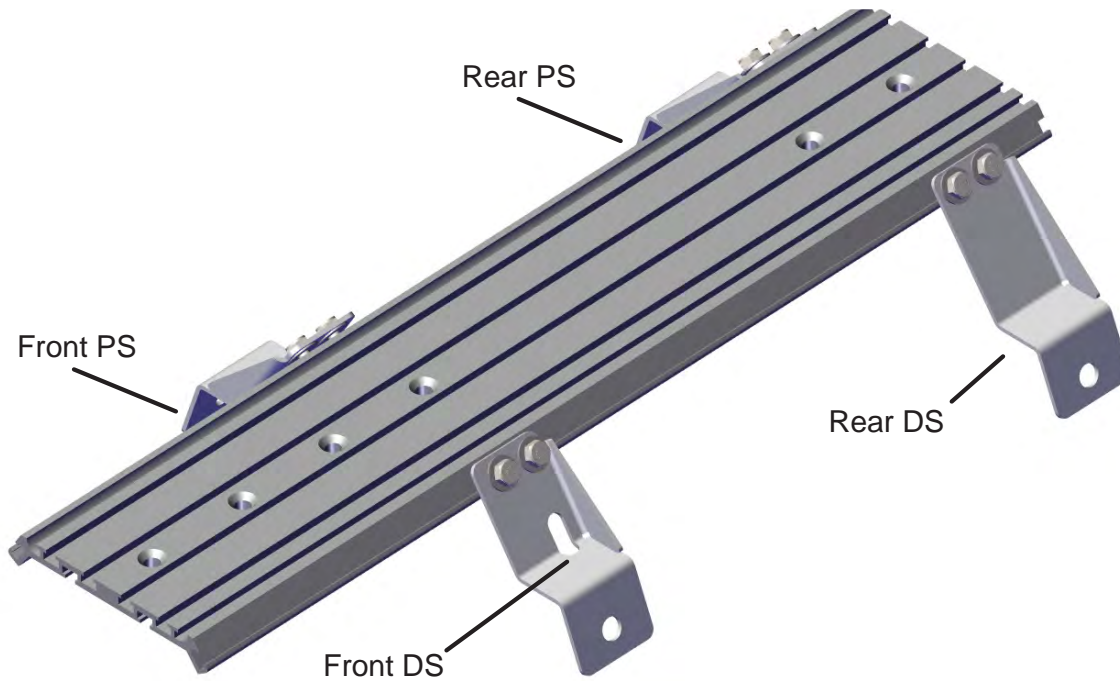
Install (8) of the 5/16-18 bolts in the side channel of the Floor Plate, four per side.

Note: If vehicle is equipped with 40/20/40 seats, remove the center seat by moving the DS/PS seat forward and back to gain access to the OEM Bolts.



Line up the bolts with the holes in each leg and secure with the provided 5/16 washers and 5/16 nuts. Lightly tighten so that adjustment will be easier after installed in the vehicle.

Align the Floor Plate Legs with the holes in floor board. Replace with OEM hardware.



Once the Floor Plate is installed, adjust the floor plate (front to rear) as needed. Tighten the 5/16 nuts securing the legs with a 1/2" socket.

If you have questions or need further assistance please call Technical Support: 1.877.455.6886



209 W. EASY ST., ROGERS, AR 72756 • JOTTOPUBLICSAFETY.COM • 2/25

Jotto Desk™ is a patented product and Registered Trademark of Assembled Products™ Corporation.
Specifications subject to change without notice.

050-0197-00

