

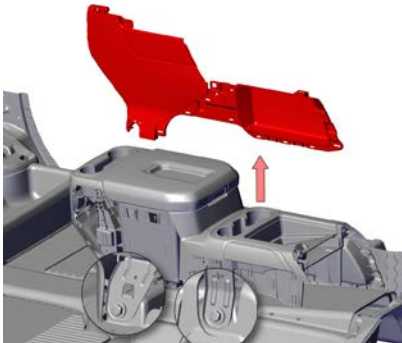
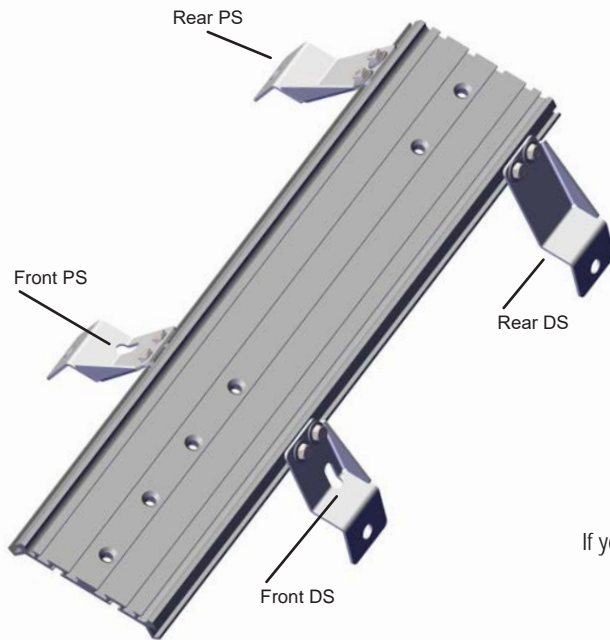


425-6659

2019+ Chevy Silverado "T1" 1500
2020+ Chevy Silverado 2500
28" Floor Plate

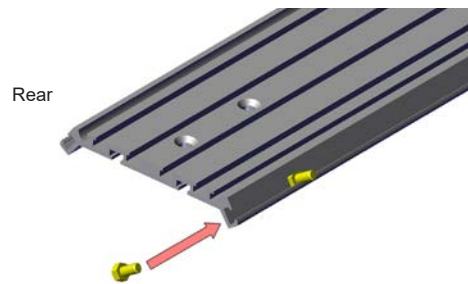
Installation Instructions

If you have questions or need further assistance please call Technical Support: 1.877.455.6886

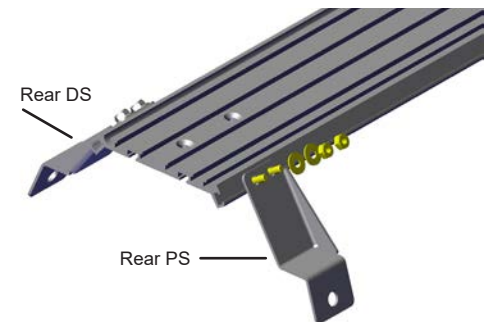


Unsnap side trim from left and right of center console exposing center console OEM bolts. Remove center console.

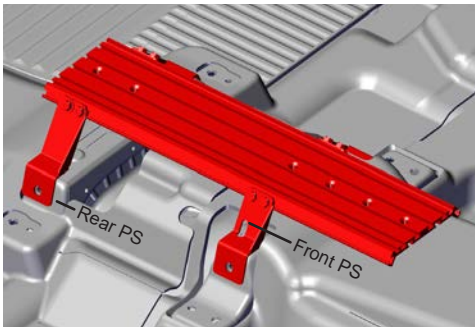
Note: If vehicle is equipped with 40/20/40 seats, remove the center seat by moving the DS/PS seat forward and back to gain access to the OEM Bolts.



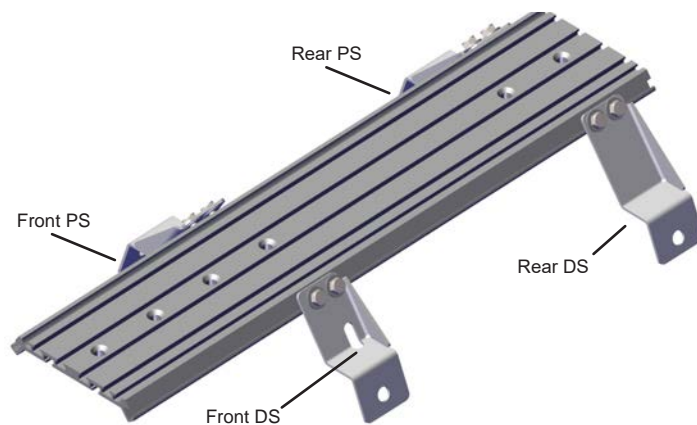
Install (8) of the 5/16-18 bolts in the side channel of the Floor Plate, four per side.



Line up the bolts with the holes in the side channel of the Floor Plate, four per side. Line up the bolts with the holes in the leg and secure with the provided 5/16 washers and 5/16 nuts. Lightly tighten so that adjustment will be easier after installed in the vehicle.



Align the Floor Plate Legs with the holes in floor board. Replace with OEM hardware.



Once the Floor Plate is installed, adjust the floor plate (front to rear) as needed. Tighten the 5/16 nuts securing the legs with a 1/2" socket.

