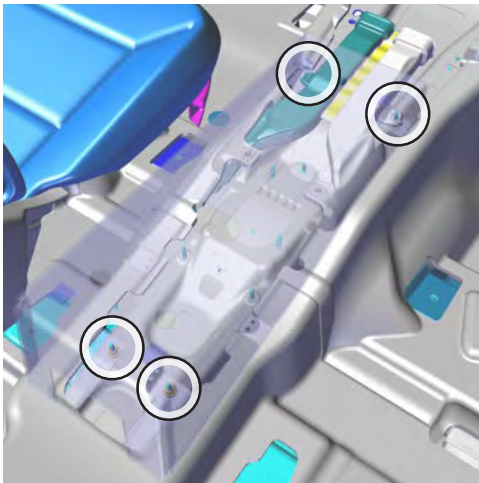




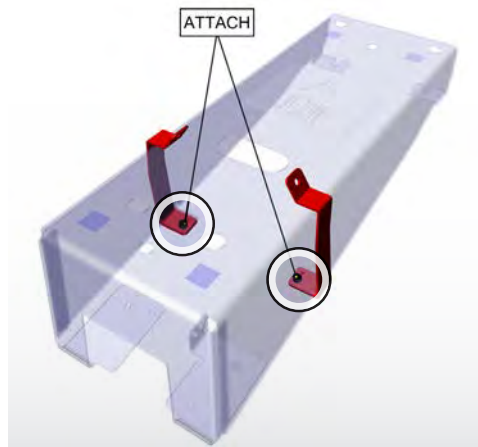
425-6674  
2020+ Ford PI Utility  
Floor Plate

## Installation Instructions

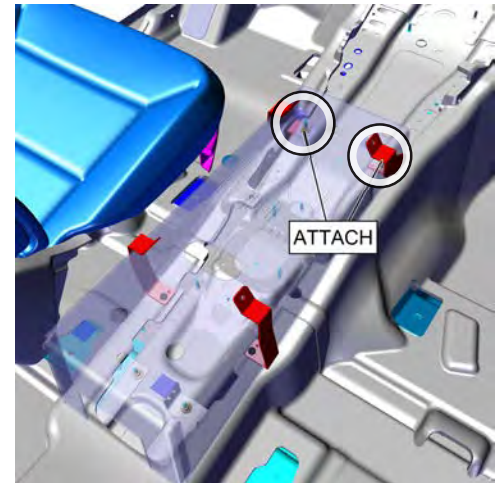
If you have questions or need further assistance please call Technical Support: 1.877.455.6886



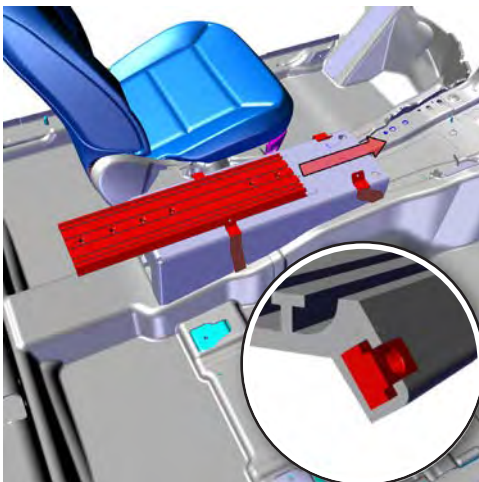
Remove the factory front and rear OEM 10 mm nuts holding the OEM Cover Plate in place.



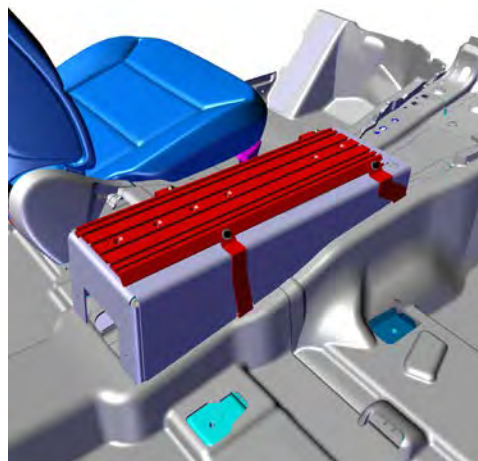
1. Temporarily remove the OEM Cover Plate.
2. Attach the Rear Mounting Legs to the tabs with provided 10 mm bolt and nuts.
3. Reposition back into vehicle.



1. Slightly lift the front of the OEM Cover Plate.
2. Place the Front Mounting Legs under both the OEM Cover Plate and the air duct mounting points on the studs.
3. Replace and fully tighten previously removed 10 mm nuts.



1. Slide 24" Extruded Floor Plate between Front and Rear Mounting Legs.
2. Insert the T-Blocks in the side channel of the Floor Plate align with each leg. Loosely attach with provided 5/16-18 bolt, lock washer and washer.



1. Adjust the floor plate by sliding it forward or back to clear the dash area.
2. Once desired position is set, fully tighten the mounting legs to the Extruded Floor Plate.

