

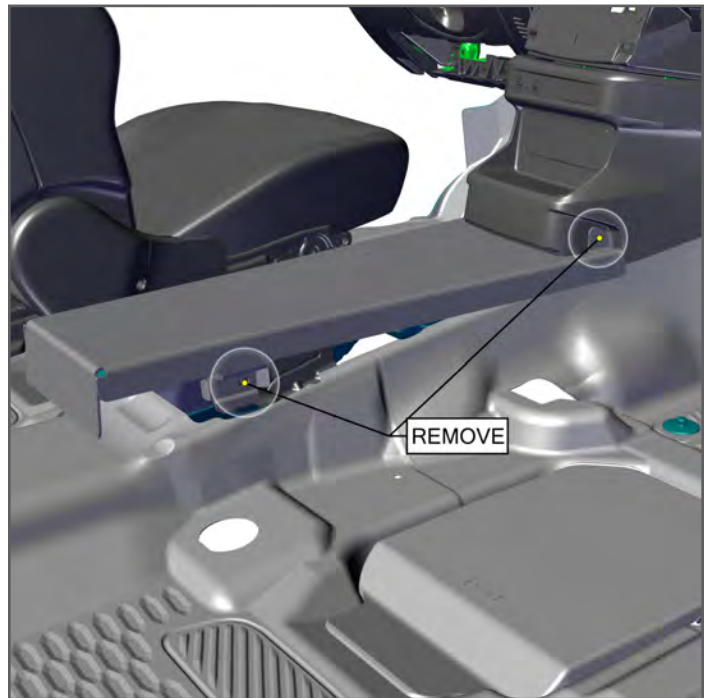


CONTOUR CONSOLE

2021+ DODGE DURANGO

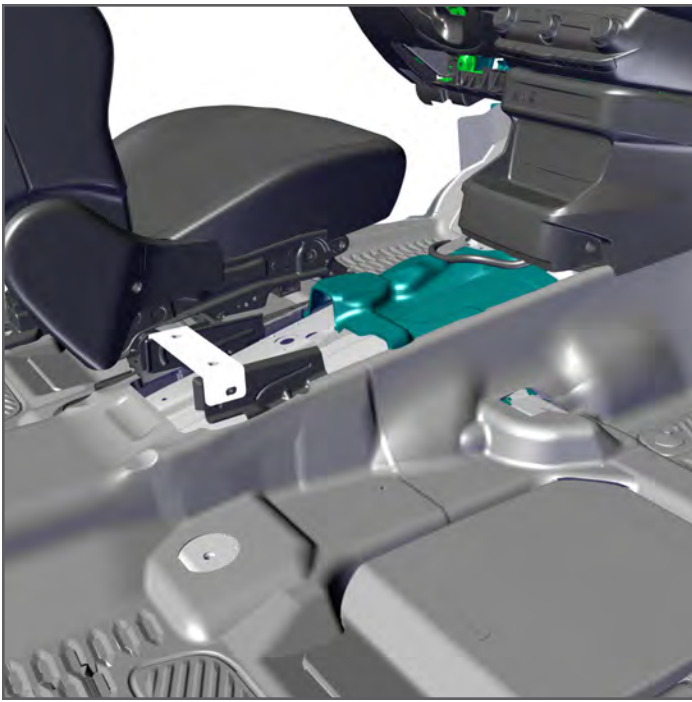
Installation Instructions

425-6680

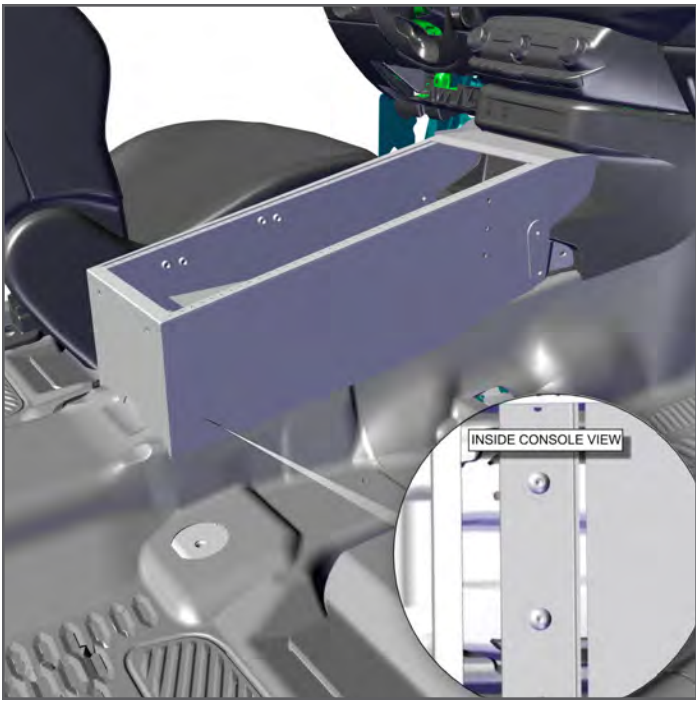


1. Remove the trim exposing the Manual Park Release (MPR). With the trim removed and Console installed, this will make access easier by only removing one Console Faceplate/Radio.

2. Remove (4) OEM bolts and retain for later use. Set OEM Floor Plate aside.



3. Attach the Console Mount Bracket with previously removed OEM hardware to the rear OEM Floor Plate mounting points.



4. Place Durango Contour Console into vehicle. Secure the previously attached Front Mounting Tabs of the Console with previously removed OEM hardware, and the rear of the Console to the Console Mount Bracket with provided socket head cap screws.

If you have questions or need further assistance please call Technical Support: 1.877.455.6886



209 W. EASY ST., ROGERS, AR 72756 • JOTTOPUBLICSAFETY.COM • 2/25

Jotto Desk™ is a patented product and Registered Trademark of Assembled Products™ Corporation.
Specifications subject to change without notice.

050-0165-00

