



DGS CONTOUR CONSOLE

(DUTY GEAR SAVER)

DODGE CHARGER 2021+

Installation Instructions

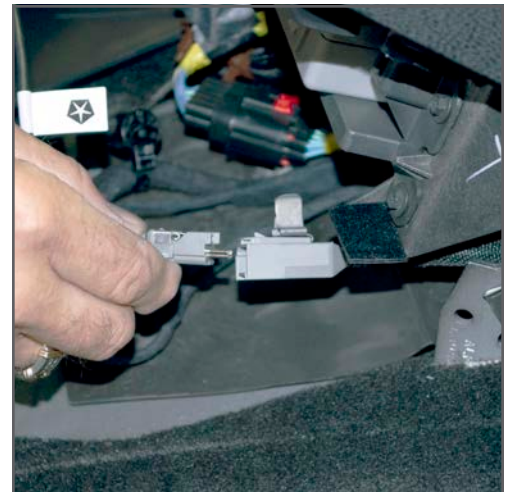
425-6705



1. Remove forward OEM console plastic cover, then remove (1) 10 mm flange nut from center of plastic console. Nut will be re-used.



2. With both hands, grasp the plastic OEM console on both sides and pull directly rearward to release.



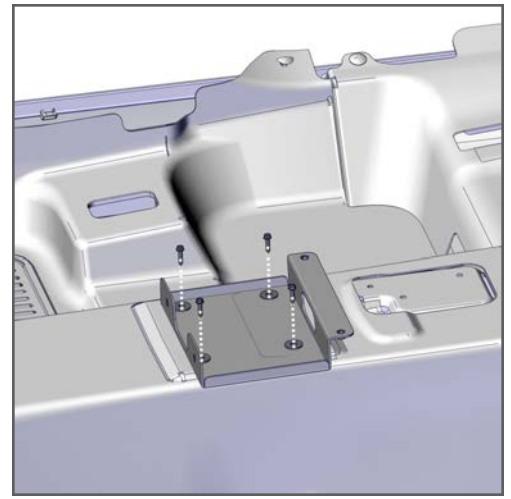
3. Disconnect 12v socket and USB Connector wire harness from underside of plastic OEM console. Pop out AUX socket and USB Connector from center of plastic OEM console and set aside.



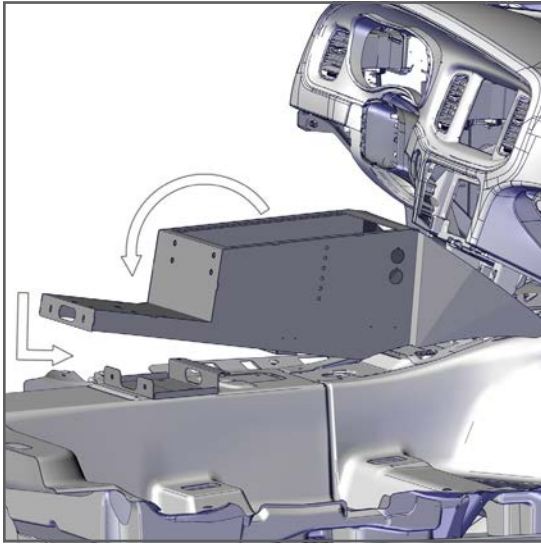
4. Remove and unplug the Proximity Sensor using 10 mm socket.



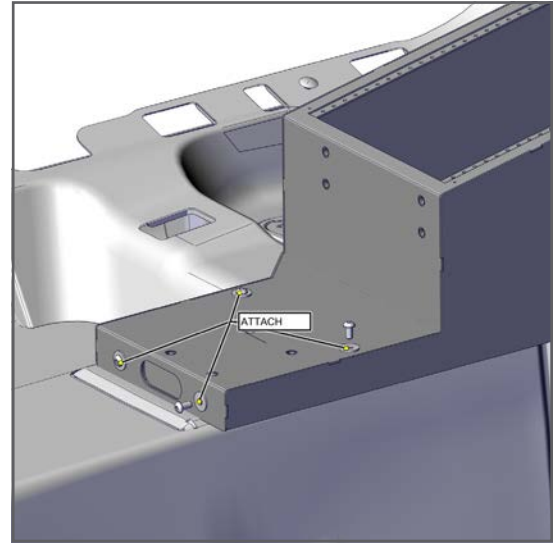
5. Disconnect the main OEM harness and loosen/remove OEM flange nuts holding OEM sensor plate in place.



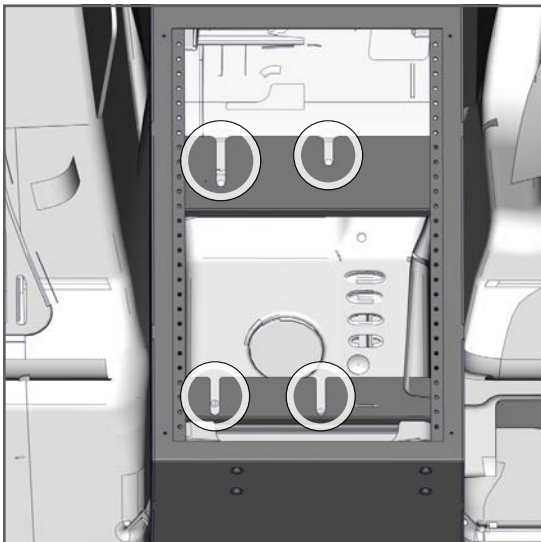
6. Secure the Rear Support Plate to the vehicle using the provided hex head tapping screws and washers.



7. Insert the Console into the vehicle. Pull the previously unplugged harness in-between the Consoles Center Mounting Supports. Slide the Consoles front Mount Support under the sensor plate.



8. Attach the Console to the Rear Support Plate with provided socket head cap screws and washers.



9. Fully secure the Console to the vehicle with previously removed OEM flange nuts.



10. Plug in and relocate the Proximity Sensor to the mounting studs in the Console with previously removed OEM flange nuts. You can now relocate the OEM 12v outlets and plug in OEM harness.

If you have questions or need further assistance please call Technical Support: 1.877.455.6886

