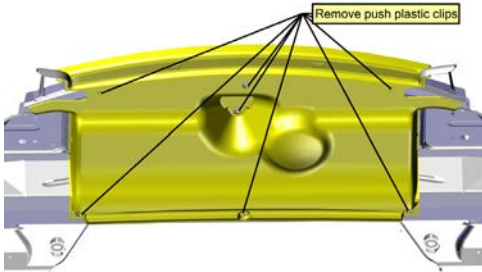


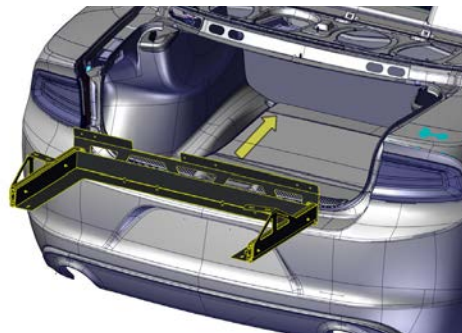


425-8103
 '11+ Dodge Charger
 Trunk Tray

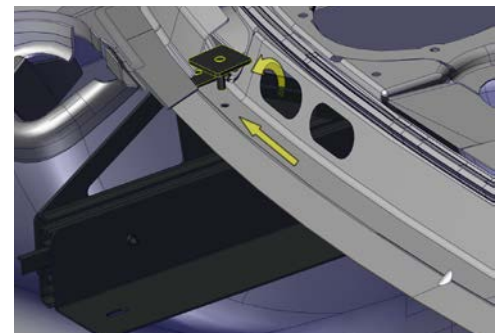
Installation Instructions



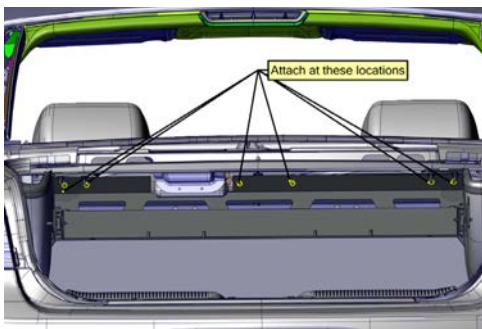
Remove the insulation panel on the underside of trunk deck by pulling out (5) press-in plastic pins in the body of the panel and (2) on the sides.



Remove the detachable tray from the trunk tray. Slide the Trunk Tray assembly in the car and check for proper placement.



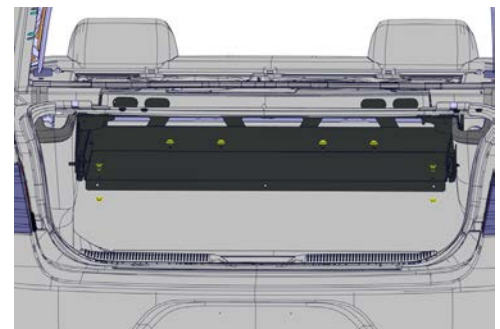
Place the mounting plates inside the openings in the underside of the rear deck lid, (2) per side. With a friend, attach the front supports arms of the tray to the mounting plates previously installed using the 1/4-20 flange nuts provided.



Install to the back of the trunk with the provided self-tapping screws. Drill (6) screws into the back of the trunk.



With the trunk tray secured front to back, mount all hardware / equipment to the detachable slide tray. Slide back into place and secure with (6) flange nuts in the back and (2) 1/4-20x3/4 carriage bolts.



Tighten all hardware securely and test out the product to assure correct assembly.

If you have questions or need further assistance please call Technical Support: 1.877.455.6886



209 W. EASY ST., ROGERS, AR 72756 • www.EVERYTHINGBUTLIGHTS.com • 6/16

Jotto Desk® is a patented product and Registered Trademark of Assembled Products™ Corporation.
 Specifications subject to change without notice.