



SPACE CREATOR VEHICLE PARTITION

FEATURING BDRH (BIDIRECTIONAL RECESSED HOUSING)

(U.S. Patent No. 8,690,216)

2020+ FORD PI UTILITY

Installation Instructions

Space Creator with High Security/High Visibility Window - 475-0063

Space Creator with Full Window w/ Safety Wire Window - 475-0065

Transfer Kit - 475-1475

Before beginning the installation, confirm that you have received all of the parts for your package.
Read the instructions completely before starting installation.



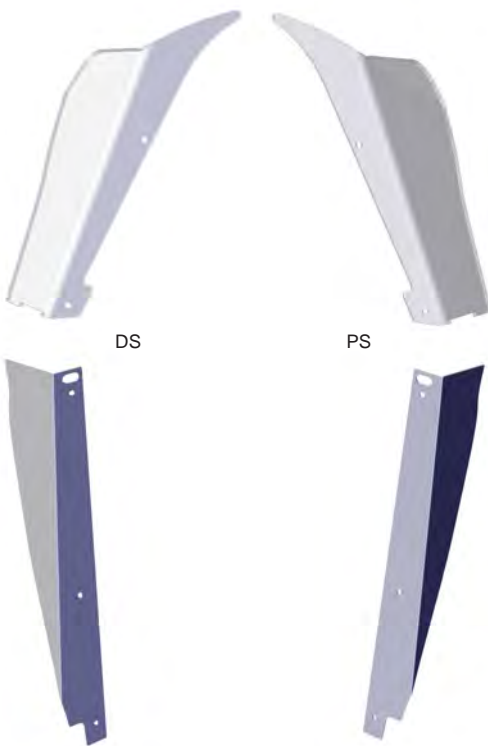
TOOLS NEEDED:

- Ratchet
- 7/16" Socket
- 10 mm Socket
- 13 mm Socket
- T30 Torx Bit Socket



PARTS INCLUDED:

- Hardware Bag with necessary nuts, bolts, etc.



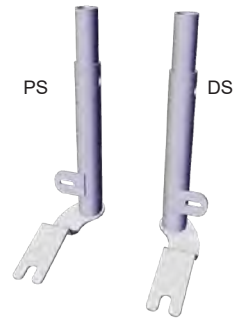
SCA Wings Set



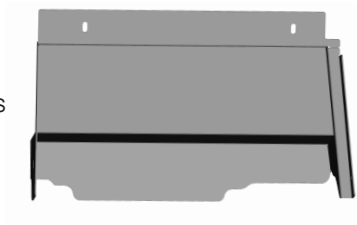
Center HSEP



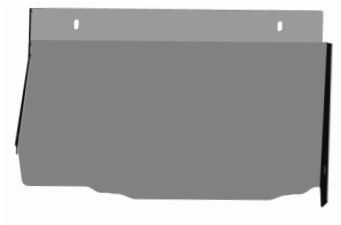
(2) B-Pillar Brackets



(2) Mounting Feet



DS

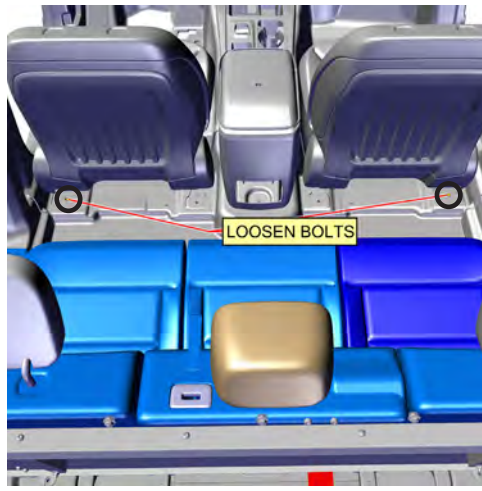


PS

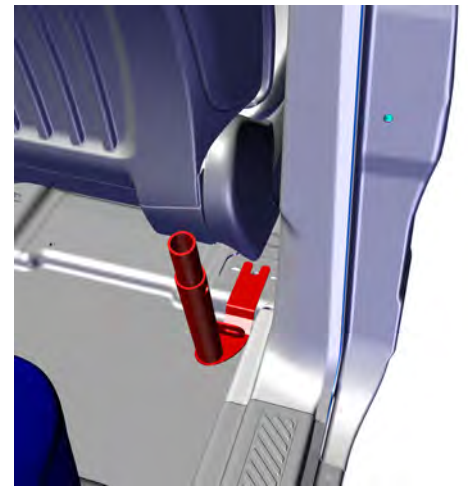
Optional DS & PS HSEP



Pop the top/bottom covers of the rear seat grab handles, exposing (2) 7 mm hex bolts.



Loosen the 13 mm seat bolts from lower outside driver and passenger seat.

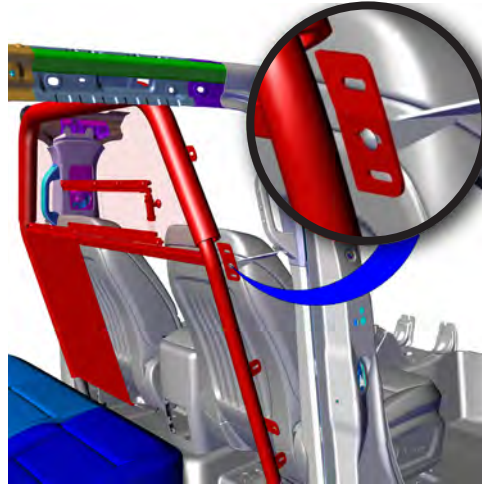


1. Place partition mount foot under previously removed outside driver and passenger seat bolt location.
2. Re-tighten OEM hardware.



Attach B-Pillar Brackets to lower grab handle mount on P/S and D/S sides with provide spacer and hardware.

** OEM COVERS CAN BE LEFT OFF OR THEY CAN BE TRIMMED DOWN TO BE REINSTALLED.*



1. Place Partition frame **WITHOUT** Bi-Directional Recessed Housing (BDRH) through P/S of vehicle.
2. Place the frame of the partition onto the mounting feet.
3. **To avoid interference with headliner, remove blue protective film covering window at this time.**
4. Push the partition frame forward to the B-Pillar Brackets and secure using the middle slots of the mounting tabs.



1. Before you install the BDRH you will need to remove the lower window channel and sliding window by removing the hand tightened carriage bolts and nuts.
2. Remove and set aside for reuse.

NOTE: Half window partitions can go to Step 8. Full window with security wire partitions will require Step 7.

Step 7 (for full window assembly)

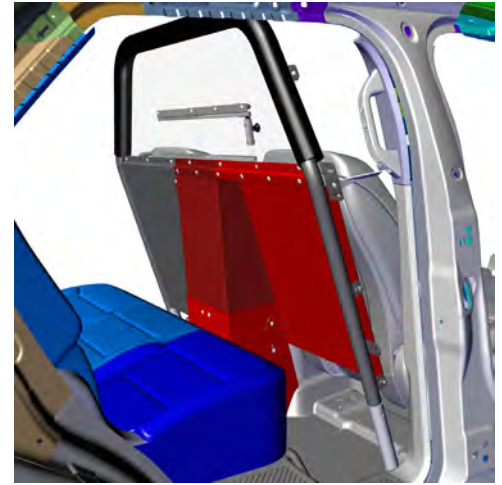


1. WHEN INSTALLING THE BDRH, BE CERTAIN BDRH THAT THE SAFETY-WIRE IS INSTALLED ON THE OUTSIDE OF THE BDRH.
2. IT WILL BE NECESSARY TO PULL THE BOTTOM OF THE SAFETY-WIRE OUT SO THE BDRH CAN SLIP UNDERNEATH.



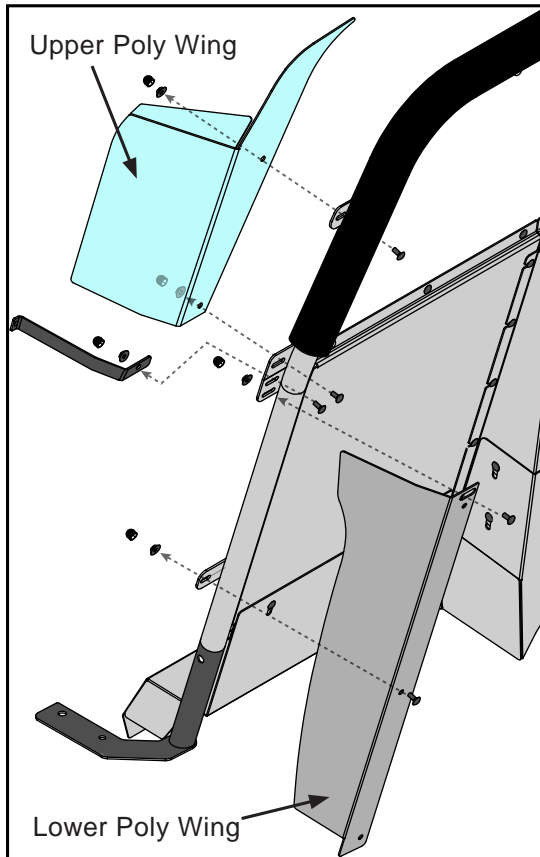
1. Outside of vehicle, loosely attach the Center HSEP to the BDRH.
2. With assistance, place the BDRH into the rear of the vehicle and secure the partition frame using the provided hardware.

Step 8 (for half window assembly)



1. Once the BDRH has been attached to the partition frame, replace lower window channel and sliding window.
2. Secure with provided hardware.

Driver's Side of Partition



Poly Wing Installation Instructions

1. Install the optional D/S and P/S HSEP to the partition and BDRH, using provided hardware.
2. Attach Lower Steel Side Wings to BACK/PRISONER side of the mount tabs on the partition frame using provided hardware. Use the bottom hole of the middle tab
3. Attach Upper Poly Wings to the FRONT/OFFICER side of the mount tabs. Use the top hole of the middle tab with a carriage bolt. The top of the Poly Wing should be secured with a carriage bolt as well.

If you have questions or need further assistance please call Technical Support: 1.877.455.6886



209 W. EASY ST., ROGERS, AR 72756 • JOTTOPUBLICSAFETY.COM • 9/24

Jotto Desk™ is a patented product and Registered Trademark of Assembled Products™ Corporation.
Specifications subject to change without notice.

050-0076-00

