



INSTALLATION INSTRUCTIONS

'11+ CHARGER SPACE CREATOR

**Vehicle Partition Featuring
Bidirectional Recessed Housing**

(U.S. Patent No. 8,690,216)

Before beginning the installation, confirm that you have received all of the parts for your package.
Read the instructions completely before starting installation.



TOOLS NEEDED:

- Ratchet
- 7/16" Socket
- T50 Torx Male Socket
- T20 Torx Male Driver



Parts Included:

- Hardware Bag With Necessary Nuts, Bolts, Etc.



DS-

- PS



DS-

- PS

(2) B Pillar Bracket



DS-

- PS

(2) Mounting Foot



SCA Wings Set



Center HSEP



DS-

- PS

Optional DS & PS HSEP

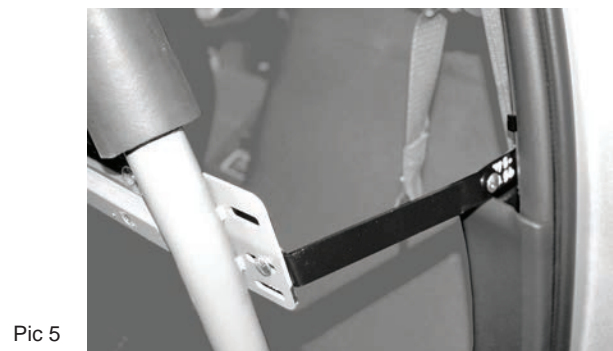
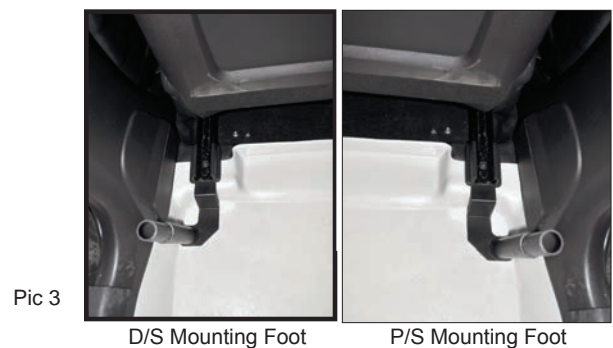


INSTALLATION INSTRUCTIONS '11+ CHARGER VEHICLE PARTITION

1. Begin removing B Pillar trim by removing the black screw at the top of the trim with T20 Torx Head Bit. The screw is seen by lifting the headliner (Pic 1). The B Pillar trim can be pulled off once the screw is removed.
2. Remove lower bolt on adjustable seat belt bracket and attach Seat Belt Bracket to B Pillar (Pic 2).

Note: If installing a Floor Pan or Bio Seat, complete that installation before proceeding to Step 3

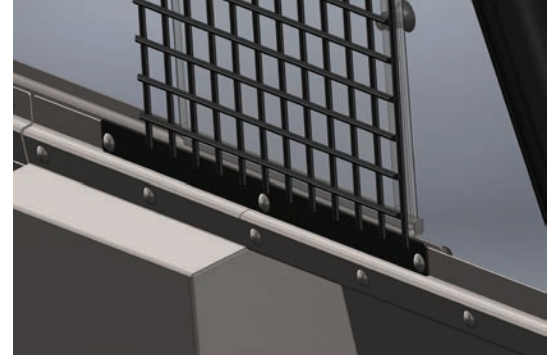
3. With the front seats fully forward, remove both rear outer bolts from the front seats. Attach the Mounting Feet to the back outer seat bolts of the front seat. (Pic 3) The mounting tabs will be placed under the seat rails. Do not tighten the bolts fully.
4. Place Partition Frame into vehicle WITHOUT the Bi-Directional Recessed Housing (BDRH) installed and from the passenger side of the vehicle. Position onto the mounting feet. **To avoid interference with headliner, remove blue protective film covering window at this time.** Push partition forward to meet the B Pillar Straps. (Pic 4)
5. Secure B Pillar Straps to the middle slot of the center partition tab and on the FRONT/OFFICER side of the partition tab. (Pic 5)
6. Before you install the BDRH, you will need to remove the hand tightened carriage bolt from lower window channel. **NOTE: Half window partitions can go to Step 8. Full window with security wire partitions will require Step 7.**





INSTALLATION INSTRUCTIONS

7. **WHEN INSTALLING THE BDRH, BE CERTAIN THAT THE SAFETY-WIRE, IF ORDERED, IS INSTALLED ON THE OUTSIDE OF THE BDRH. IT WILL BE NECESSARY TO PULL THE BOTTOM OF THE SAFETY-WIRE OUT SO THE BDRH CAN SLIP UNDERNEATH. (Pic 6)**
8. Outside of vehicle – attach the Center HSEP to the BDRH with carriage bolts/flange nuts and finger tighten. Place BDRH into rear of vehicle and secure to the partition frame from the back side with provided carriage bolts/flange nuts. (Pic 7)
Two people recommended for this.
9. Once the BDRH has been attached to the partition frame, replace lower window channel and sliding window. Secure with provided hardware.
10. Install the optional D/S HSEP to the partition and BDRH, using provided hardware. Install the P/S HSEP to the BDRH, using provided hardware.
11. Attach Lower Steel Wings to bottom slot of the center tab and lower tab on the BACK/PRISONER Side. (Diagram 1)
12. Attach Upper Poly Wings to the FRONT/OFFICER side of the mount tabs. Use the top hole of the middle tab with a carriage bolt. The top of the Poly Wing should be secured with a carriage bolt as well. (Diagram 1)



Pic 6



Pic 7

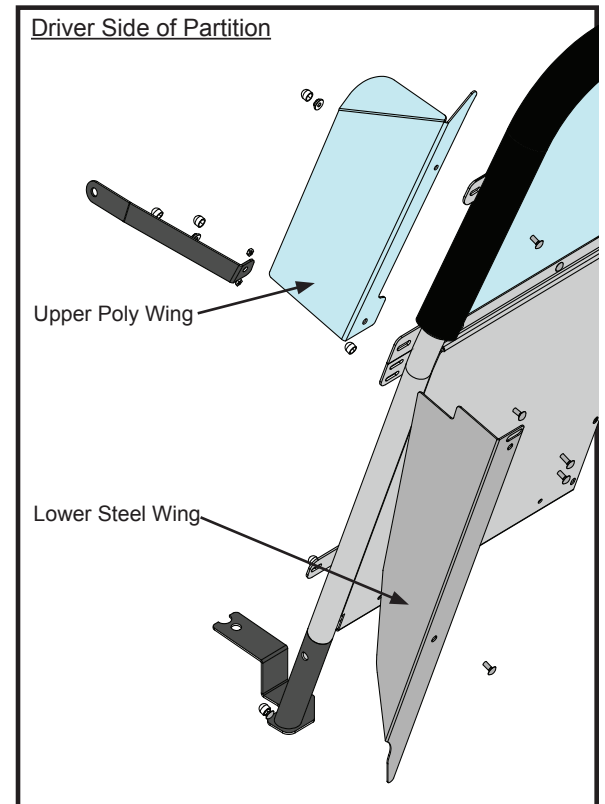


Diagram 1