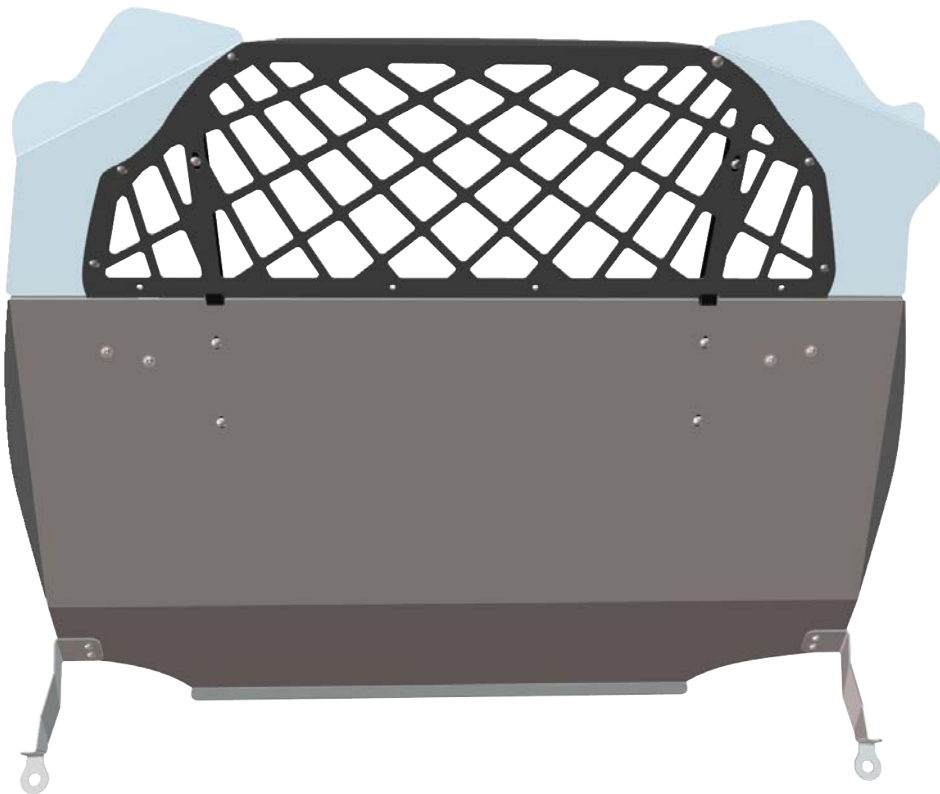




2019 DODGE DURANGO
CB4 CARGO BARRIER
SCA COMPLIANT
475-0822
WITH POLY COVER
457-1173

Before beginning the installation, confirm that you have received all of the parts for your package.
Read the instructions completely before starting installation.



TOOLS NEEDED:

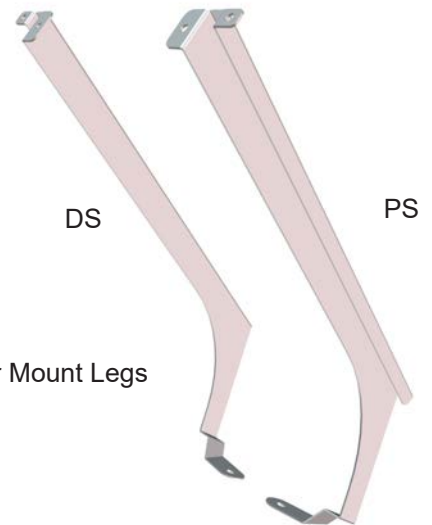
- Ratchet
- $\frac{7}{16}$ " Socket
- $\frac{3}{16}$ " Hex Key Socket
- $\frac{5}{32}$ " Hex Key Socket
- $\frac{9}{32}$ " Socket
or Phillips-head Screwdriver
- 18 mm Deep Socket

PARTS INCLUDED:

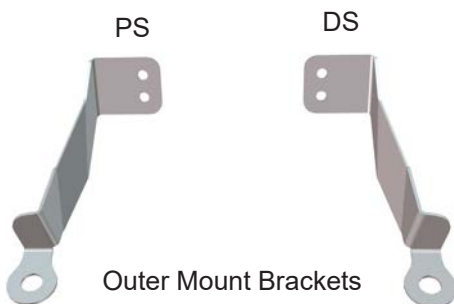
- Hardware Bag with
necessary Nuts, Bolts, Etc.



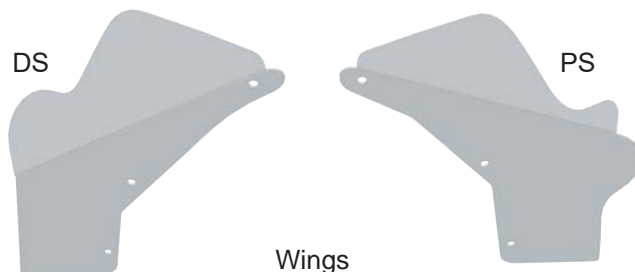
Poly Cover (475-1173 only)



Rear Mount Legs



Outer Mount Brackets



Wings



INSTALLATION INSTRUCTIONS

STEP 1:



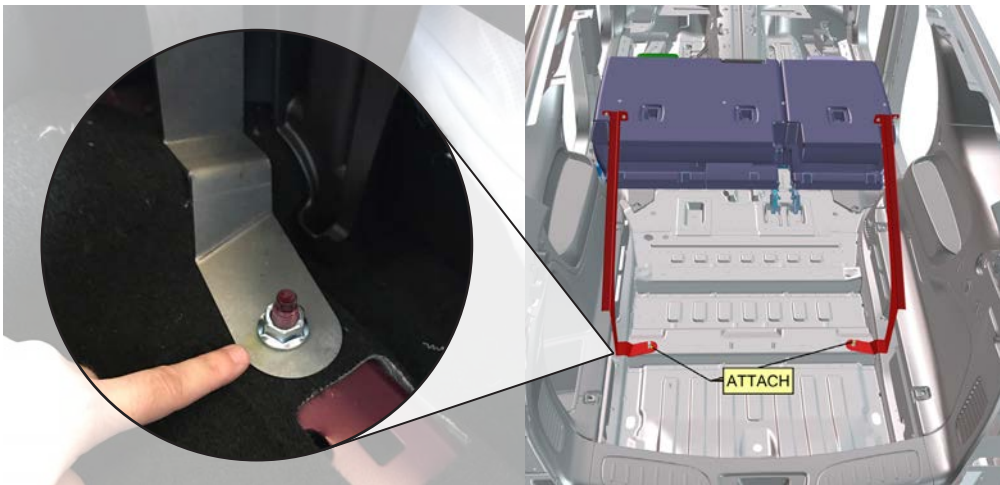
Remove lids from the storage compartment by opening them 90 degrees and pulling at an angle to unclip from three positions (**EACH SIDE**). You will also have to remove the front trim portion from the storage box by pulling at an angle releasing (8) clips.

STEP 2:



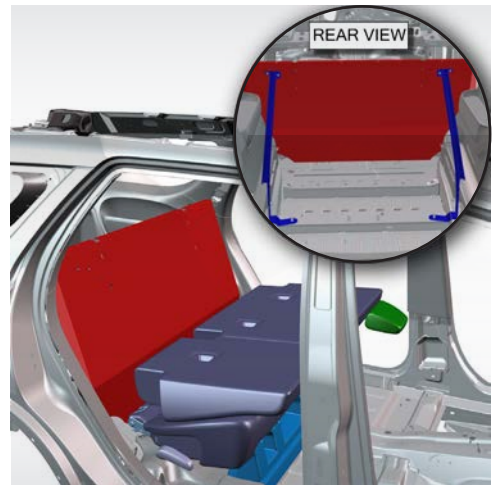
Remove the (2) 9/32 screws removing the storage compartment. "Set aside"

STEP 3:



Install rear DS/PS Rear Mount Legs onto Threaded studs. Loosely tighten with provided hardware. **NOTE:** Set the previously removed front trim portion back into the vehicle under the Rear Mount Legs before installing Lower Steel Barrier.

STEP 4:



Install Lower Steel Barrier through passenger side of vehicle. Loosely attach the Lower Steel Barrier to the previously installed DS/PS Rear Mount Legs with provided Button Head Cap Screws.



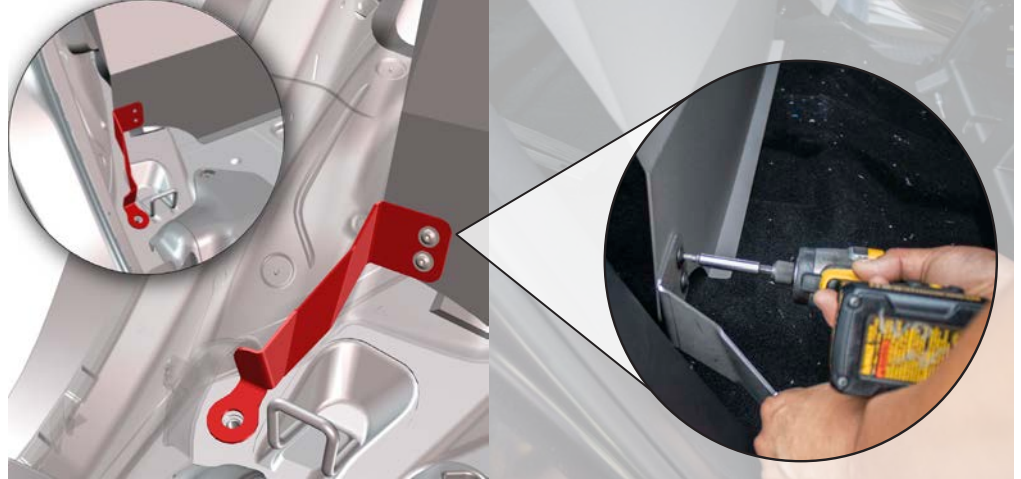
INSTALLATION INSTRUCTIONS

STEP 5:



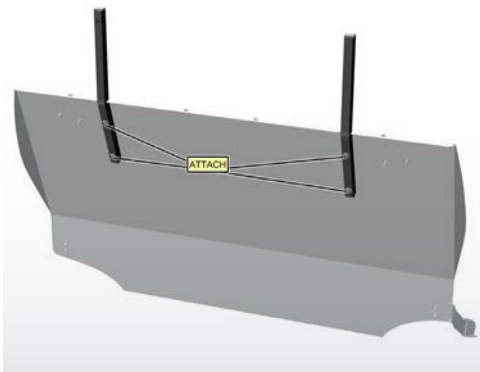
Flip second row seats forward by pulling on the two cable loops under the seat.

STEP 6:



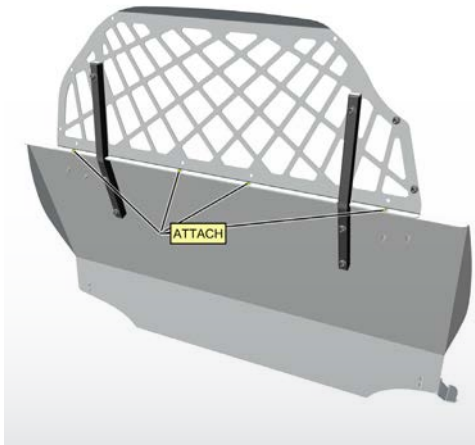
Install DS/PS Outer Mount Brackets to the lower outside Seat Belt Bolts and Lower Steel Barrier with provided Socket Head Cap Screws. **Tighten all installed hardware at this time.** NOTE: With help, have someone hold the "front trim portion" of the storage box up while installing the storage box. Reinstall all components as they were removed.

STEP 7:



Secure Support Tubes to the Lower Steel Barrier from cargo side.

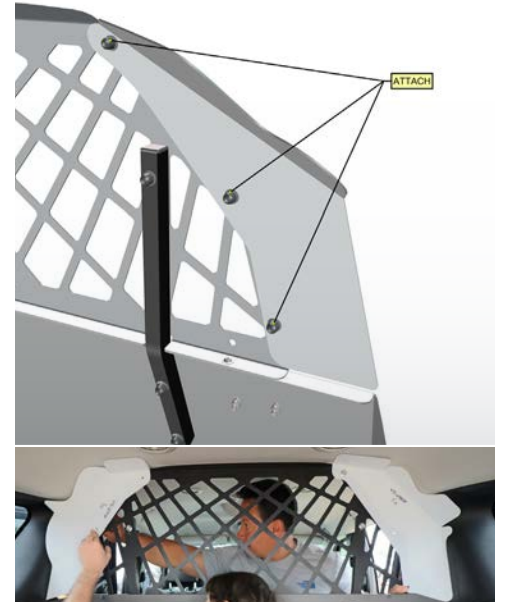
STEP 8: 475-0822



From rear seat of vehicle, use button head cap screws to attach Secure Grid to Lower Steel Barrier and (2) carriage bolts and flange nuts to the Support tubes.

475-1173: See next page.

STEP 9: 475-0822



Install Side Poly Wings through rear of vehicle. Secure with (3) carriage bolts with flange nuts.

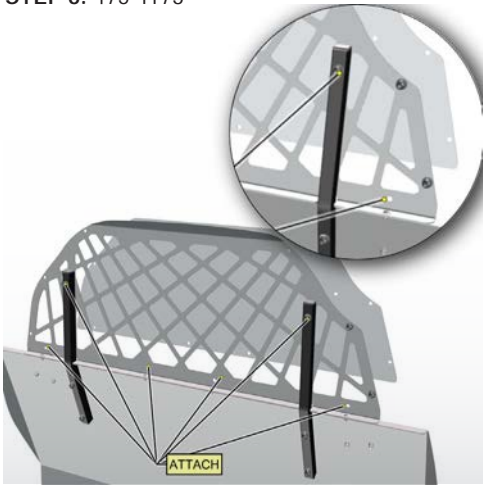
475-1173: See next page.



INSTALLATION INSTRUCTIONS

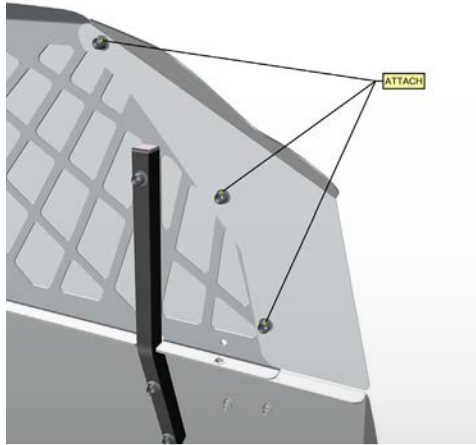
NOTE: REMOVE PROTECTIVE FLIM FROM THE POLY WINDOW BEFORE INSTALLATION.

STEP 8: 475-1173



From rear seat of vehicle, use (6) carriage bolts and flange nuts to attach the Poly Cover to the front of the Secure Grid and Support tubes.

STEP 9: 475-1173



Install Side Poly Wings through rear of vehicle. Secure with (3) carriage bolts with flange nuts.

