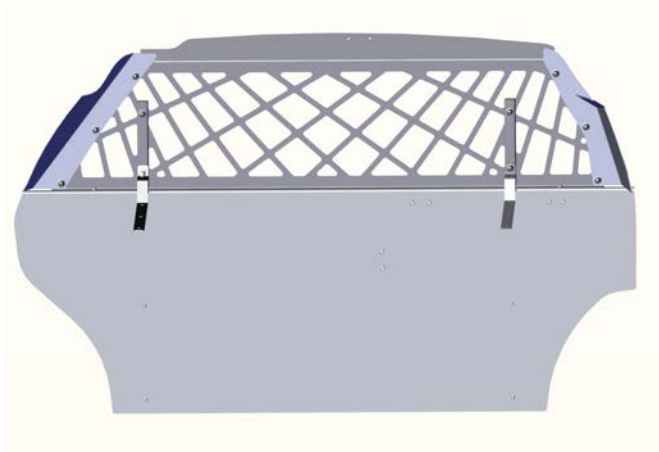




INSTALLATION INSTRUCTIONS  
'16-'19 PI UTILITY  
CB6 CARGO BARRIER  
FOR STORAGE SYSTEM  
SCA COMPLIANT  
475-1182

## \*Storage System Must Be Installed First\*

Before beginning the installation, confirm that you have received all of the parts for your package.  
Read the instructions completely before starting installation.



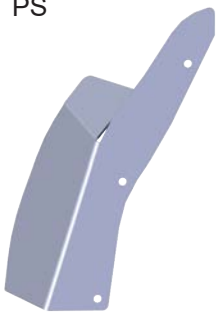
**TOOLS NEEDED:**

- Ratchet
- 7/16" Socket
- 3/16 Hex Key Socket

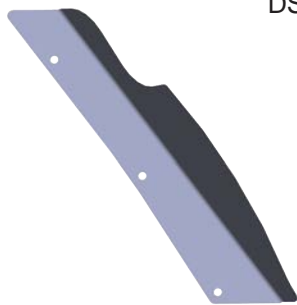
**Parts Included:**

- Hardware Bag With Necessary Nuts, Bolts, Etc.

PS



DS



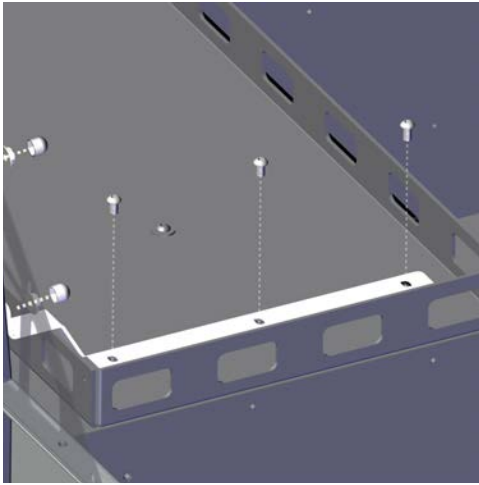
Side Poly Wings



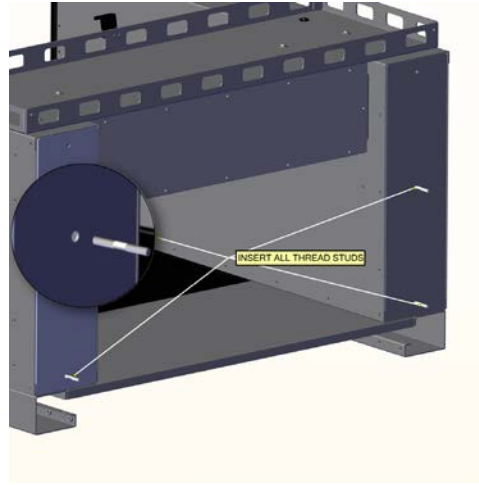
Support Straps



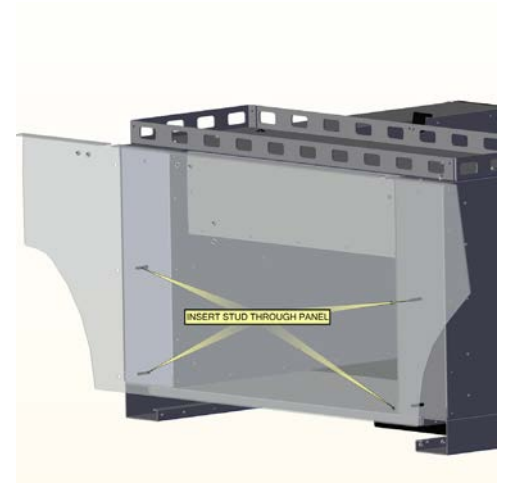
Steel Tubes



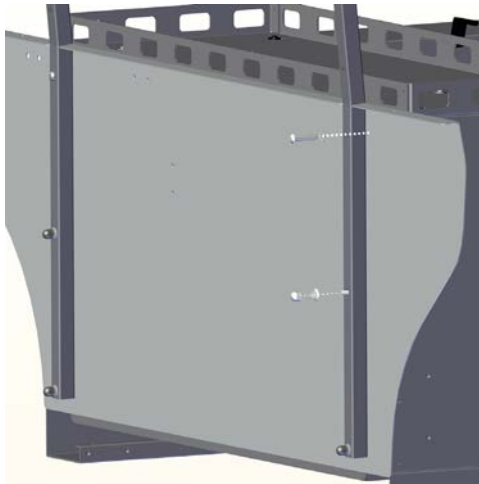
Attach Support Straps to Package Tray on top of Storage System and secure using (6) socket head cap screws (3) per side.



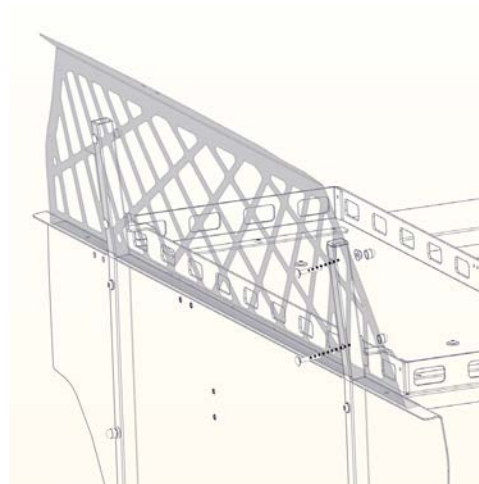
Place (4) studs into PEM location by hand only until they bottom out.



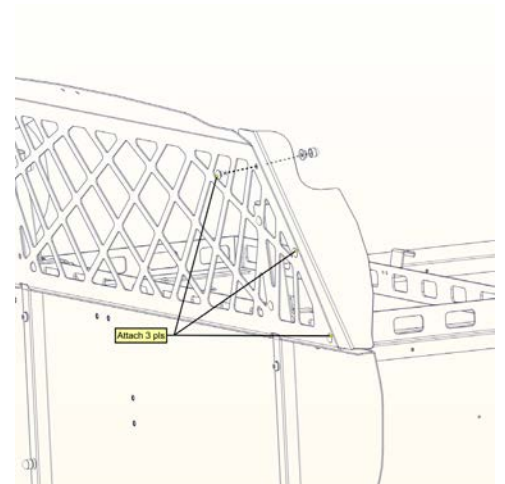
Slide Lower Steel onto protruding studs.



Install Steel Tubes into position onto studs. Secure using (4) nuts onto protruded stud inserts. Attach (2) socket head cap screws in the upper holes.



Place Wire Grid on top of Lower Steel in the prisoner compartment. Secure using (2) 1 3/4" carriage bolts and nuts onto Support Straps.



Attach Side Wings using (6) bolts and nuts (3) per side.