

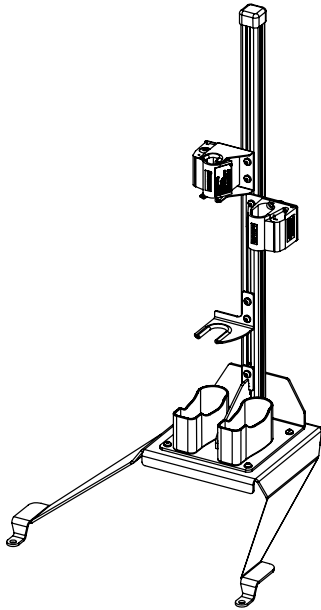


GR6-F150 SSV/PR 15-20 AR BLM/870

2015-2020 FORD F-150 - VERTICAL DUAL WEAPON, REAR SEAT MOUNTED GUN RACK

Installation Instructions

475-1191

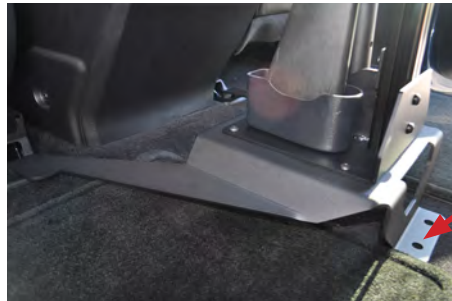


Parts Included:

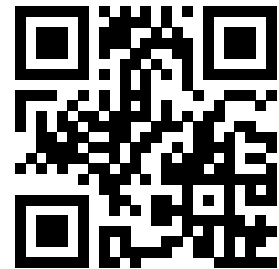
- Hardware Bag With Necessary Nuts, Bolts, Etc.



Remove cap from inside back seat rails of front seats and loosen (2) 13mm seat bolts on rear of front seats nearest the console.



Slide GR6 mounting plate on top of inside seat rails of front seats. Mark hole location for rear of mounting plate for AVK install. Remove mounting plate and set aside.



Install AVK fasteners, see other side for AVK install instruction, or watch the video here.



Reposition mounting plate on top of rear seat rails of front seats and tighten all OEM seat bolts and use provided hardware for AVK locations.



Position assembled backbone onto GR6 mounting plate.

Secure to plate using provided (4) button head cap screws.

AVK FASTENER INSTALLATION INSTRUCTIONS



AVK Installation video can be viewed at:
<http://jottopublicsafety.gojotto.com/additional-categories/downloads.html>



1. Drill out existing hole to 1/2" or drill new hole per installation instructions.



2. Place 5/16-18 x 1.5" long bolt through the 3/8" flange nut and hand thread bolt into the AVK Fastener.



3. Place into 1/2" drilled hole.



4. Use 9/16" box end wrench to secure the flange nut.



5. Apply pressure on the flange nut, pressing AVK Fastener into hole.
6. Using an air wrench, tighten the 5/16-18 x 1.5" bolt.



7. This will allow the AVK Fastener to secure onto the backside of the metal.
8. Remove 5/16-18 x 1.5" bolt.

If you have questions or need further assistance please call Technical Support: 1.877.455.6886



209 W. EASY ST., ROGERS, AR 72756 • JOTTOPUBLICSAFETY.COM • 3/25

Jotto Desk™ is a patented product and Registered Trademark of Assembled Products™ Corporation.
Specifications subject to change without notice.

050-0237-00

