



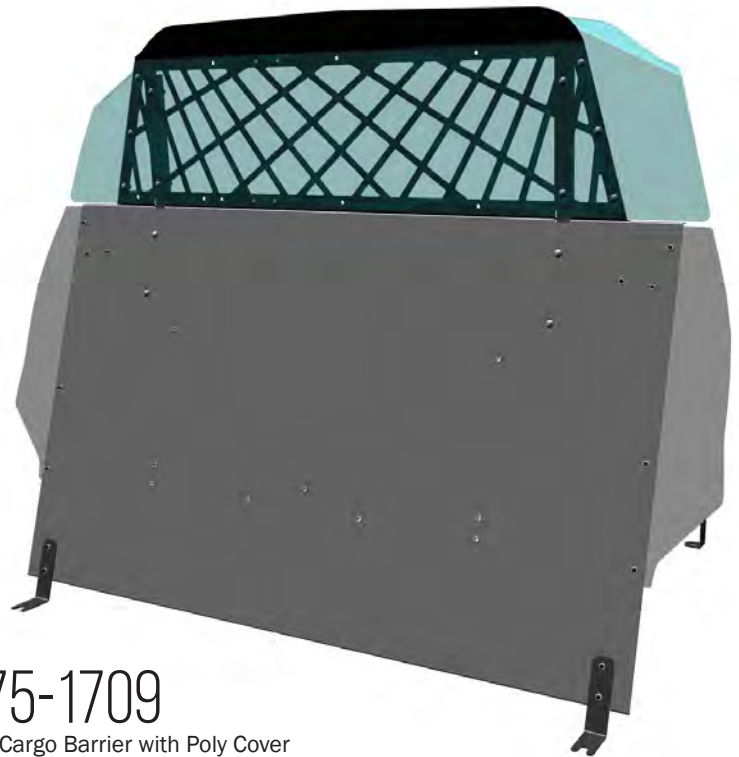
# CB4 CARGO BARRIER

2021+ CHEVY TAHOE | SCA COMPLIANT

## Installation Instructions

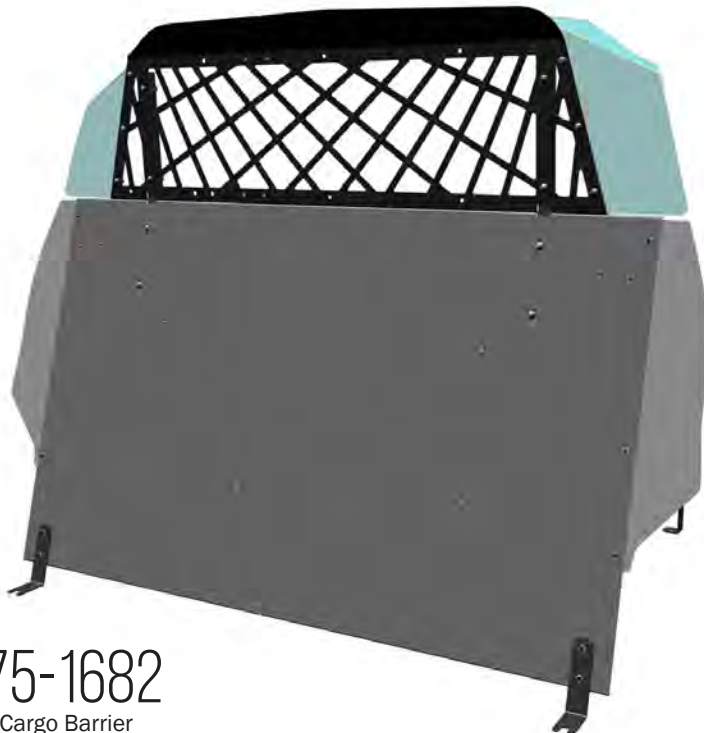
CB4 Cargo Barrier - 475-1709

CB4 Cargo Barrier with Poly Cover - 475-1682



475-1709

CB4 Cargo Barrier with Poly Cover



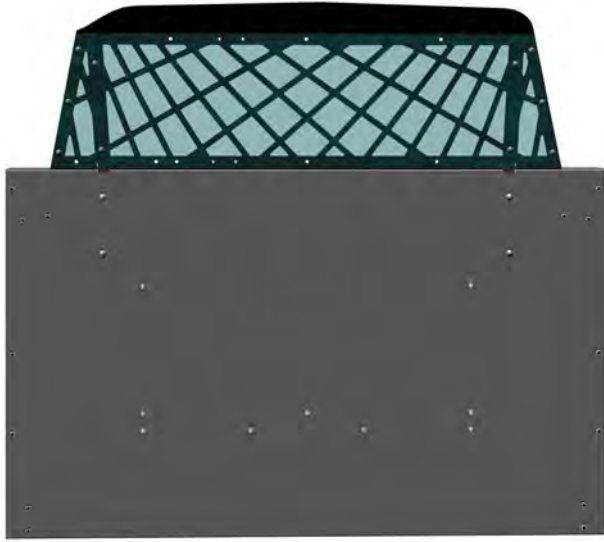
475-1682

CB4 Cargo Barrier

Before beginning the installation, confirm that you have received all of the parts for your package.

Read the instructions completely before starting installation.

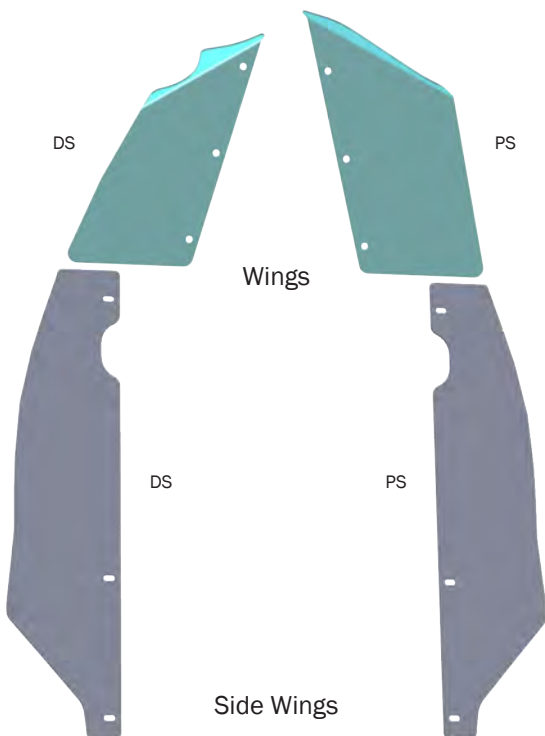
**Always install Cargo Barrier before Partition if ordered.**



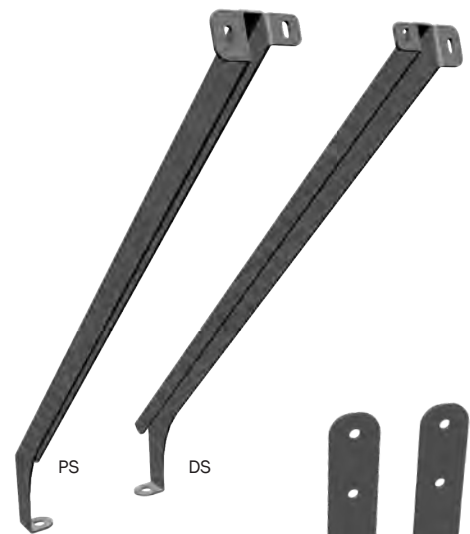
CB4 Cargo Barrier with Poly Cover (475-1709)



CB4 Cargo Barrier (475-1682)



Support Tubes



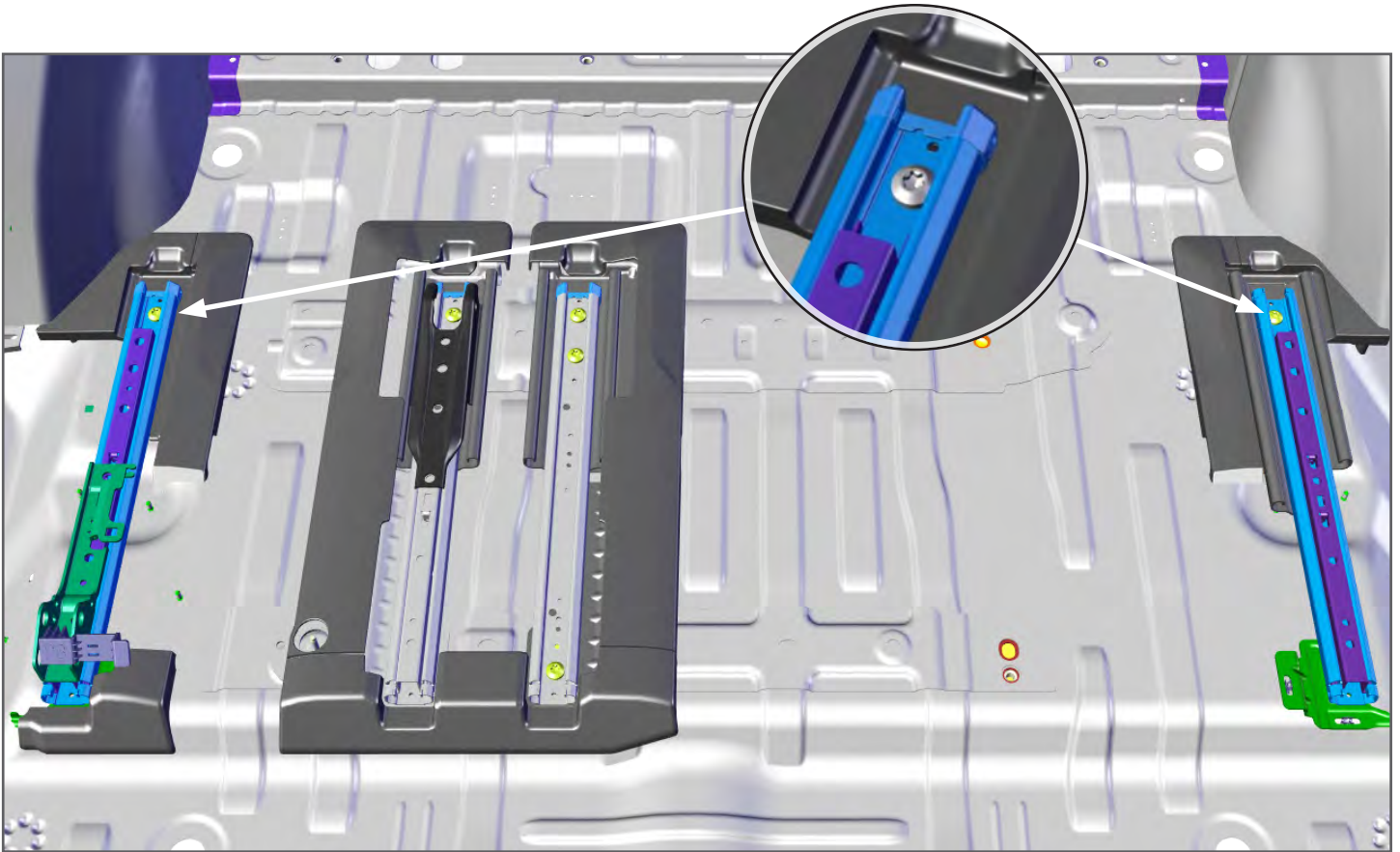
Rear Mount Legs



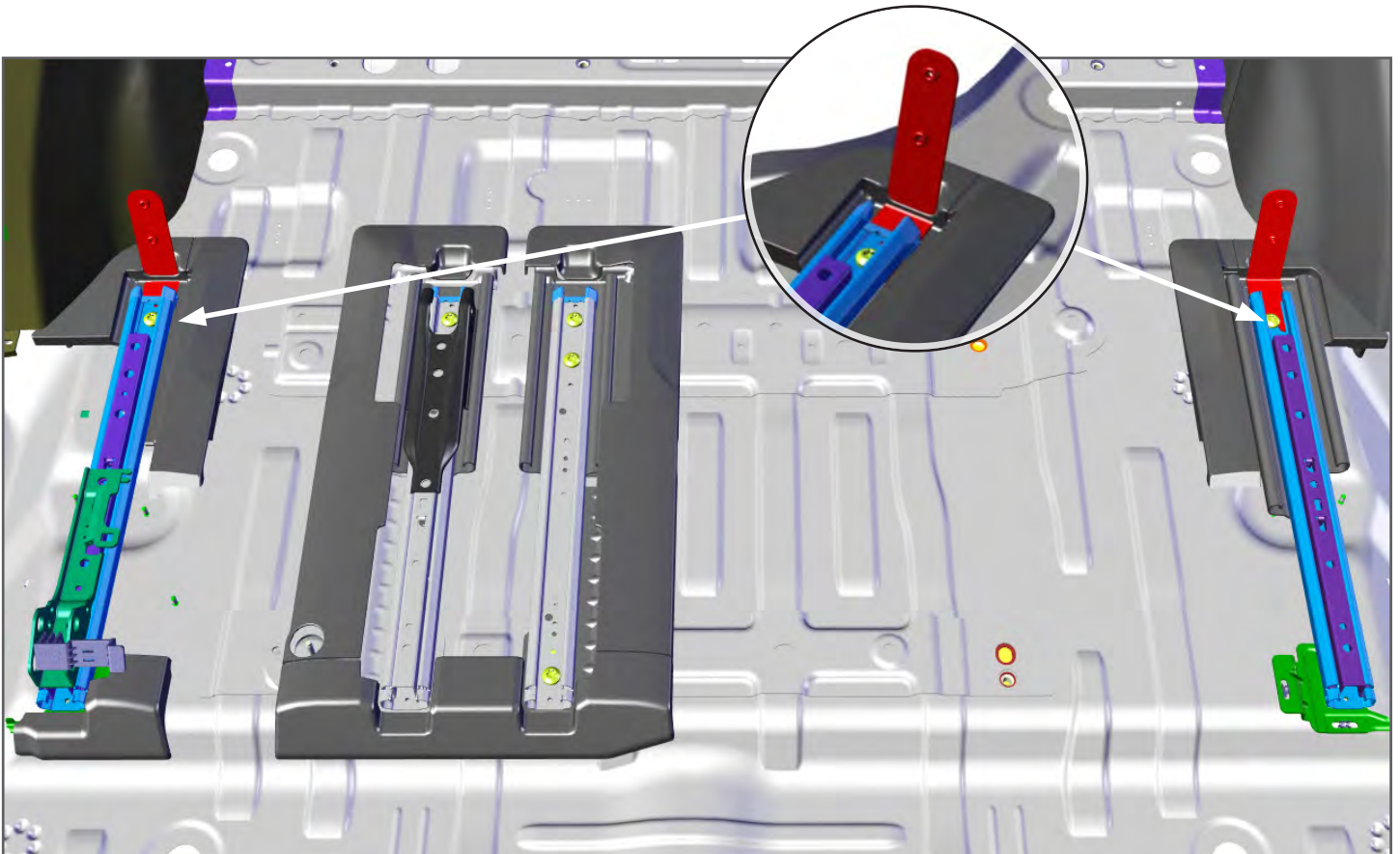
Outer Mount Brackets



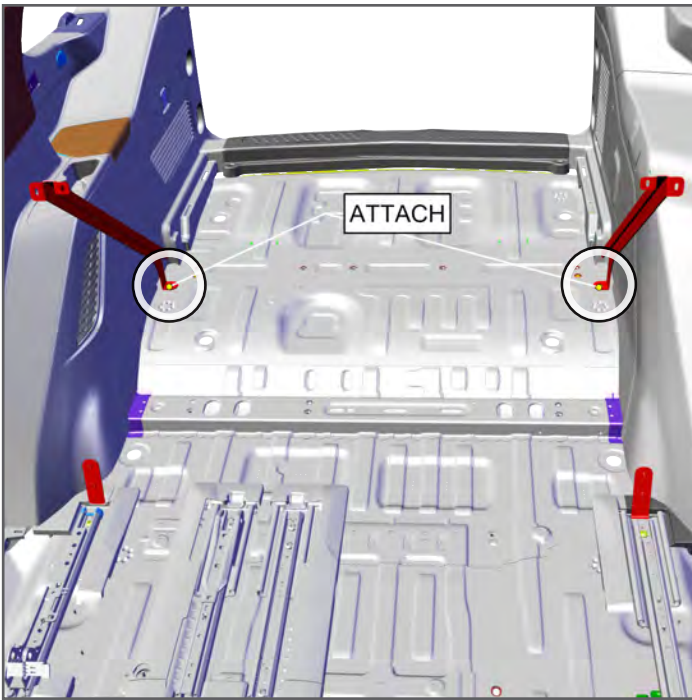
Upper Poly Barrier - 475-1709



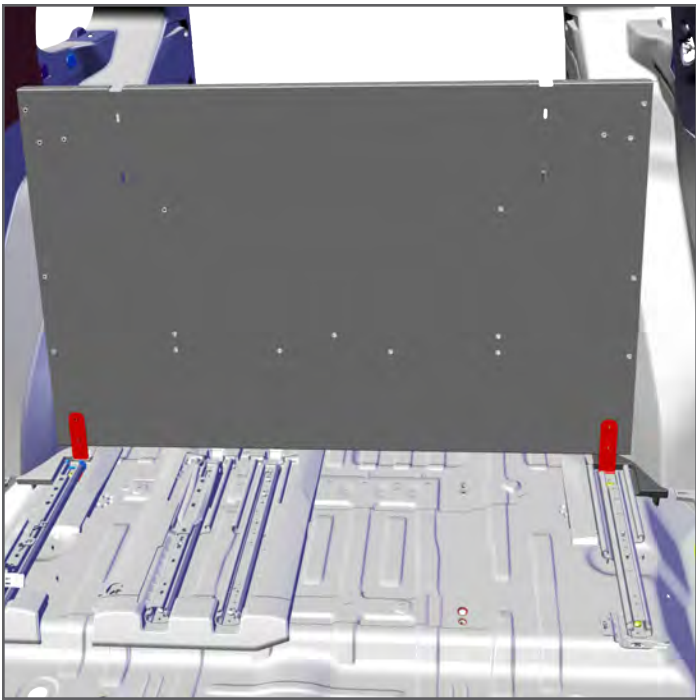
1. Fold both sections of rear seat down and tilt forward. Loosen outer most rear OEM seat bolts.



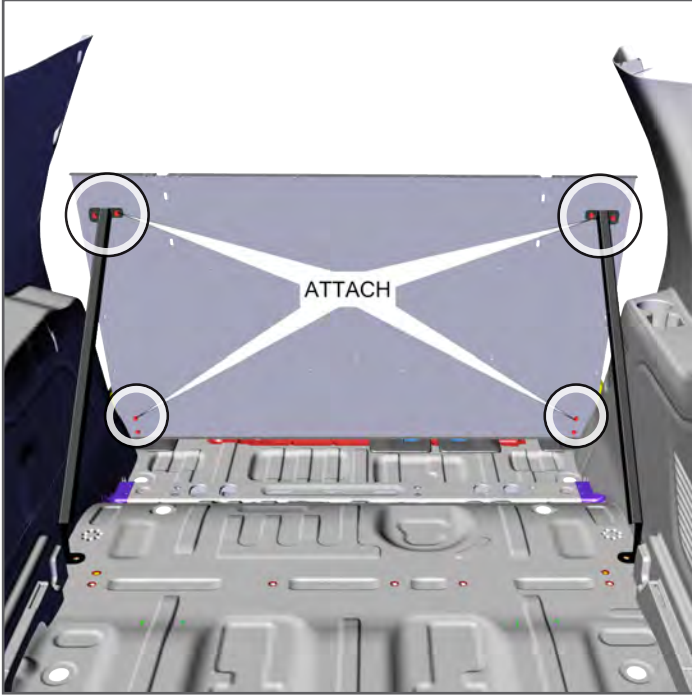
2. Loosely install the DS/PS Lower Mount Brackets under the seat frame.



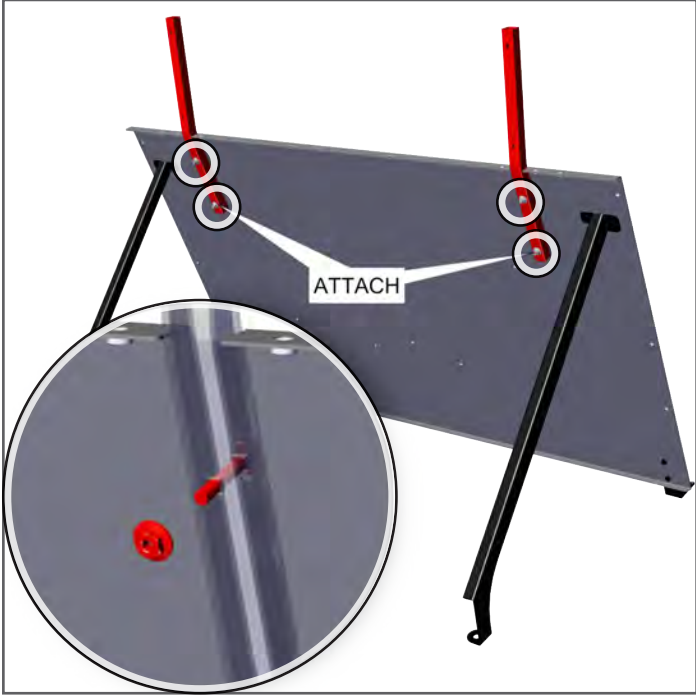
3. Loosely install the DS/PS Rear Mount Legs to the mounting points with OEM hardware.



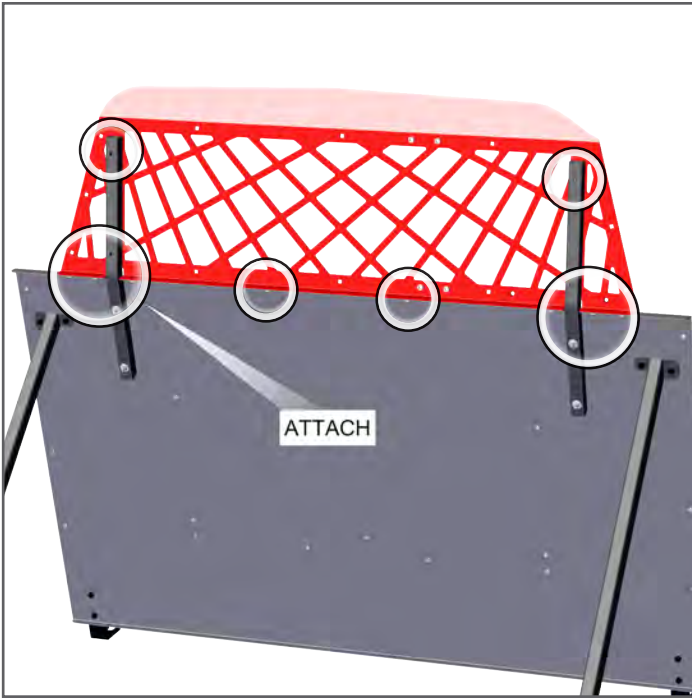
4. Insert Lower Steel Panel through the rear side door. The Rear Mount Legs will support the Steel Panel allowing you to finish installation in the cargo side of the vehicle.



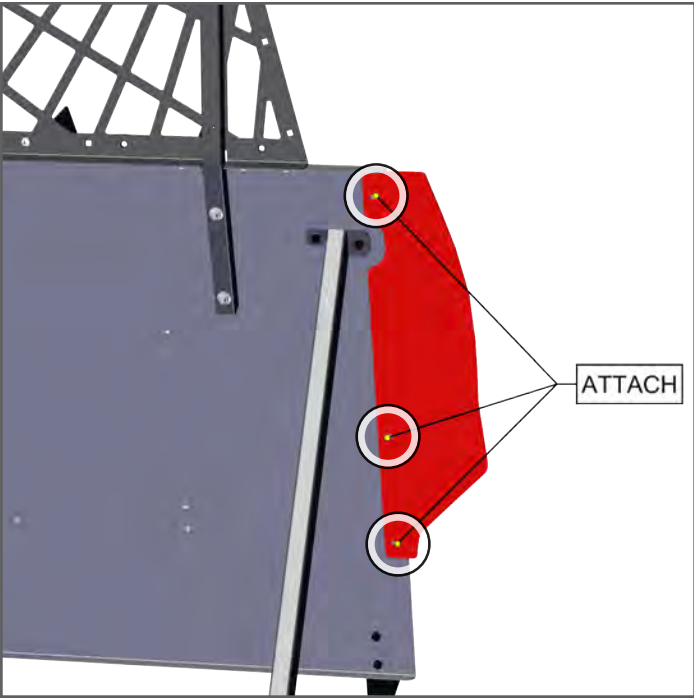
5. Attach the Steel Panel to the previously installed DS/PS Outer Mount Brackets and Rear Mount Legs with provided Hex Bolts and Washers.



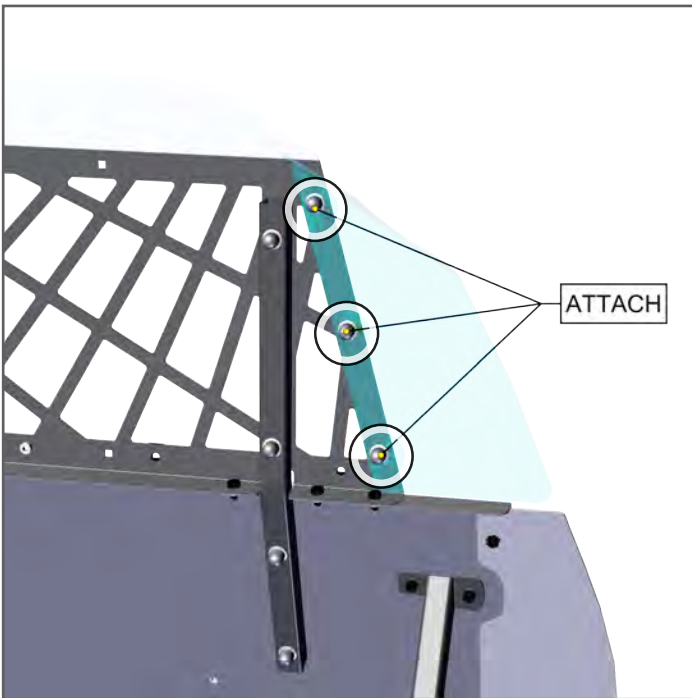
6. Insert and secure Support Tubes to the Steel Panel from cargo side with provided carriage bolts and flange nuts.



7. From rear seat of vehicle, use Hex Bolts and Washers to attach Secure Grid to the Steel Panel, and (4) carriage bolts and flange nuts to the Support tubes.



8. Install Lower DS/PS Side Wings with provided Hex Bolts and Washers to the rear side of the Steel Panel.



9. Install DS/PS Upper Side Poly Wings through the rear side of the Secure Grid with (3) carriage bolts with flange nuts.



**IF ORDERING THE POLY COVER - 475-1709**  
 10. From rear seat of vehicle, use (16) carriage bolts and flange nuts to attach the Poly Cover to the front of the Secure Grid and Support tubes.

If you have questions or need further assistance please call Technical Support: 1.877.455.6886



209 W. EASY ST., ROGERS, AR 72756 • JOTTOPUBLICSAFETY.COM • 9/24

Jotto Desk™ is a patented product and Registered Trademark of Assembled Products™ Corporation.  
 Specifications subject to change without notice.

