



# SPACE CREATOR VEHICLE PARTITION

FEATURING BDRH (BIDIRECTIONAL RECESSED HOUSING)

(U.S. Patent No. 8,690,216)

## 2021+ FORD F-150 POLICE RESPONDER/SSV

### Installation Instructions

Space Creator with High Security/High Visibility Window - 475-1810

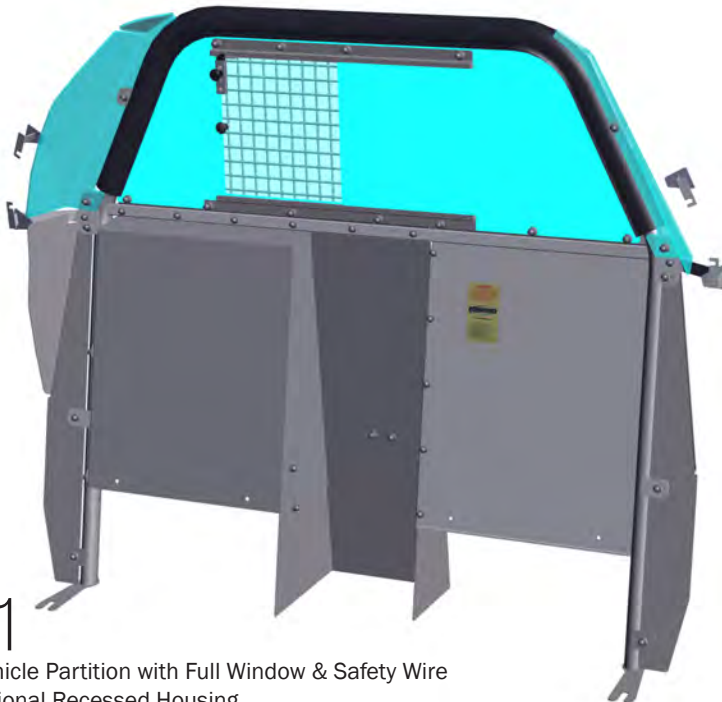
Space Creator with Full Window w/ Safety Wire Window - 475-1811

Transfer Kit - 475-1819



### 475-1810

Space Creator Vehicle Partition with HS/HV Window  
Featuring Bidirectional Recessed Housing



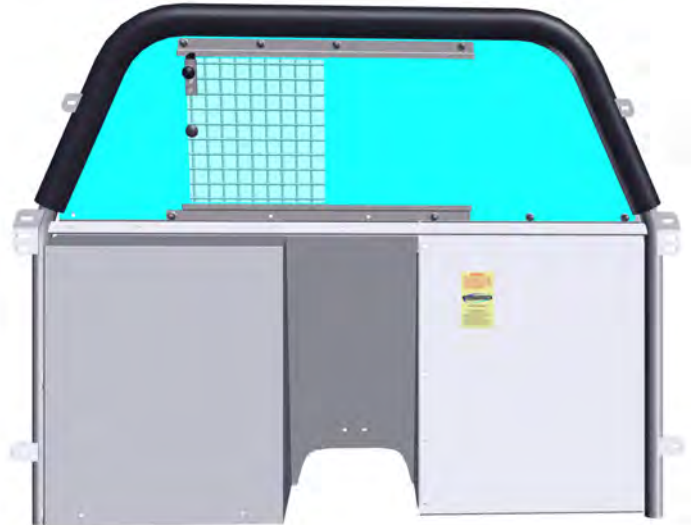
### 475-1811

Space Creator Vehicle Partition with Full Window & Safety Wire  
Featuring Bidirectional Recessed Housing

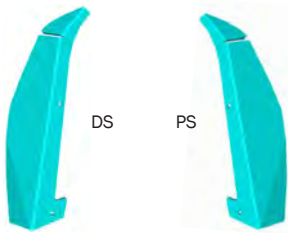
Before beginning the installation, confirm that you have received all of the parts for your package.  
Read the instructions completely before starting installation.



Partition (475-1657)



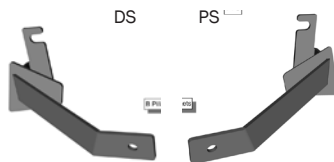
Partition (475-1675)



Upper Wings Set



(2) B Pillar Bracket Cover



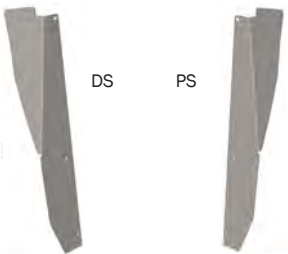
(2) B Pillar Bracket



Center HSEP



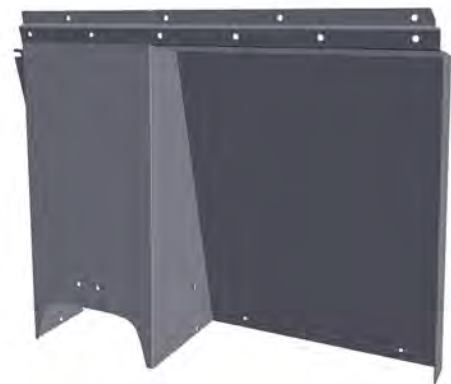
(2) Mounting Foot



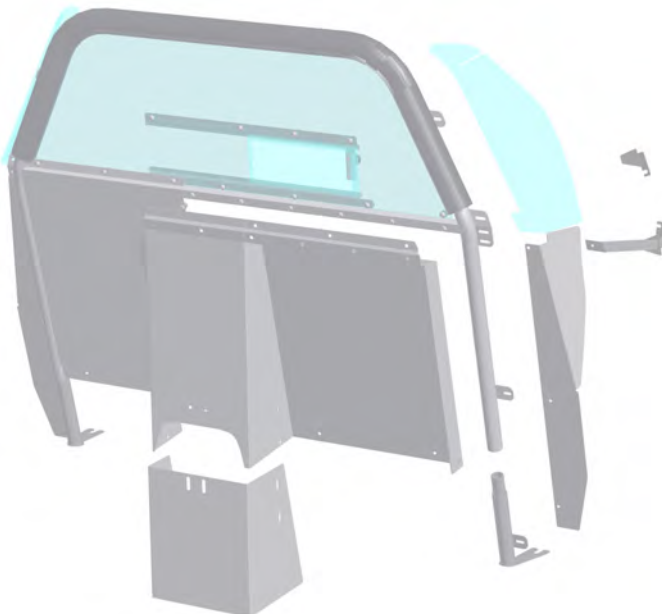
Lower Wings Set



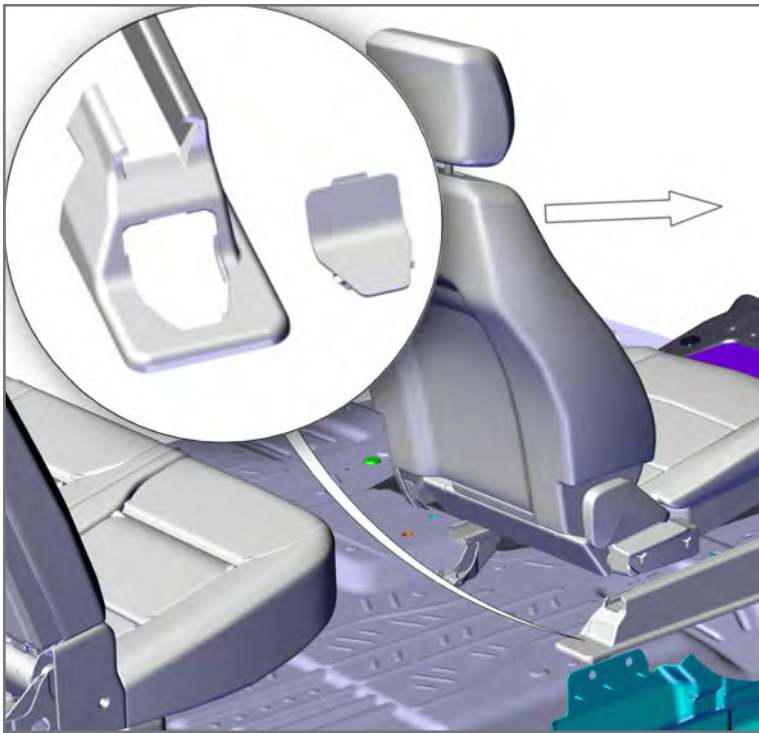
Lower VP9



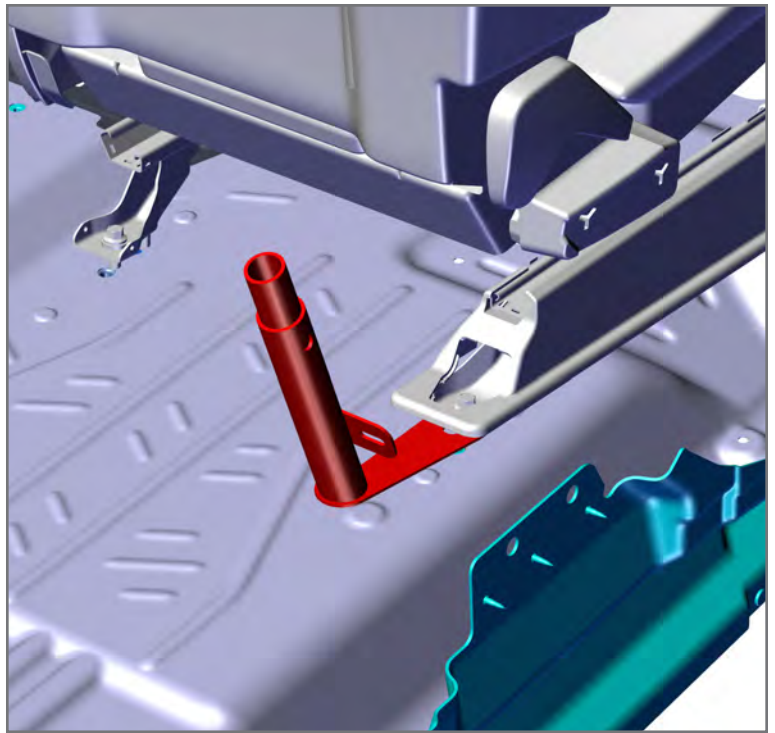
BDRH: Bidirectional Recessed Housing



HSEP: High Security Extension Panel  
*optional*



1. Slide P/S and D/S front seats completely forward. Remove rear outer trim seat bolt covers exposing the OEM 13 mm bolts. Unscrew bolts halfway.



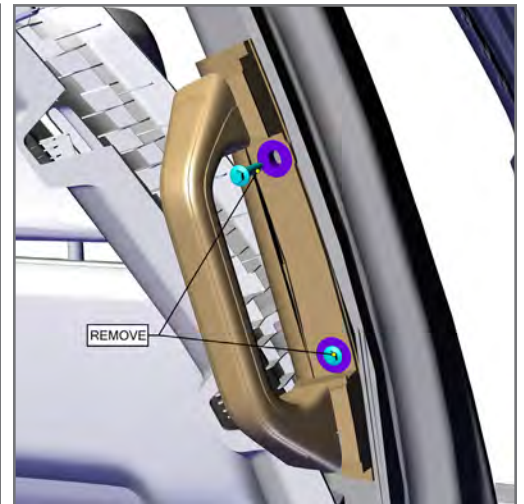
2. Push seat up slightly to slide the Mounting Feet under seat rail, between rail and carpet. Leave bolts loose at this time. Repeat on other side.



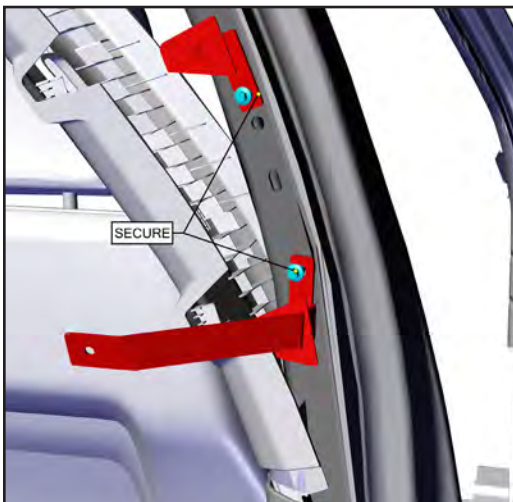
3. Remove plastic caps from the P/S and D/S B-Pillar seat belt adjusters. Use a T-45 socket to remove the OEM Torx screw.



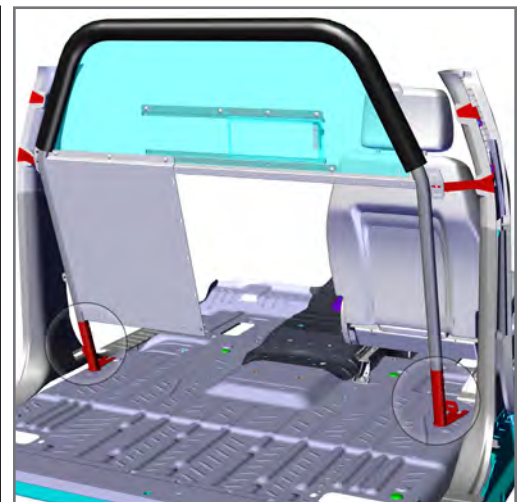
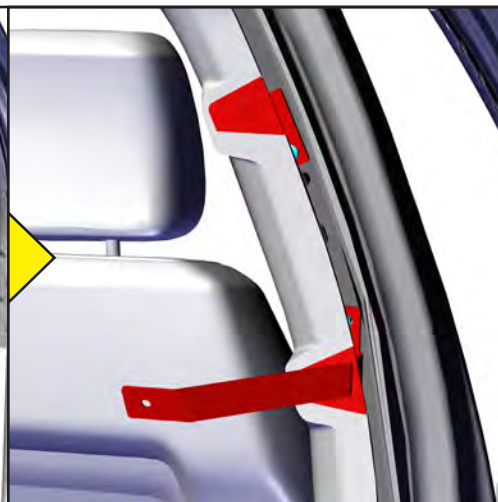
4. Pop the upper B-Pillar trim loose from the grab handle side giving access to its mounting hardware. It's not necessary to fully dislodge trim from its position.



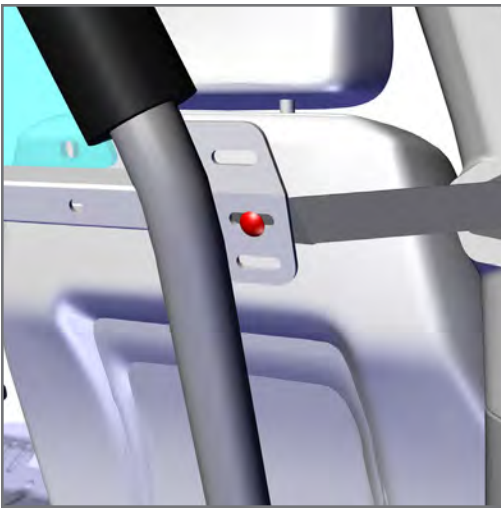
5. Remove the (2) 7 mm screws attaching the B-Pillar handle.



6. Using the previously removed OEM hardware attach the provided B-Pillar Brackets and B-Pillar Cover Brackets. Re-attach B-Pillar trim and seat belt adjuster at this time.



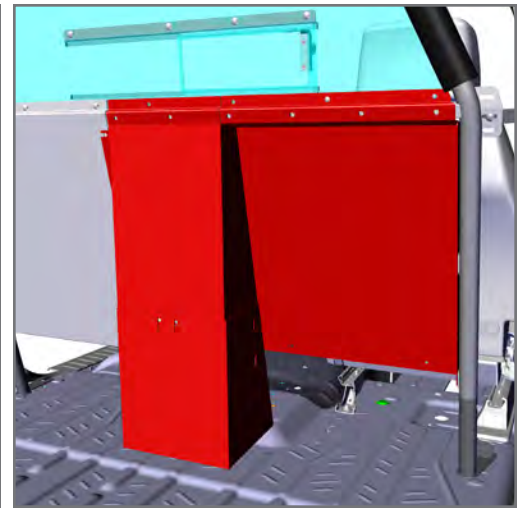
7. Install Partition Frame into vehicle through P/S door and position onto Mounting Feet.



8. Lean the Partition Frame forward and loosely attach the B-Pillar Brackets to middle hole of the Partition Frame with provided carriage bolts and flange nuts. Once centered tighten all hardware at this time.

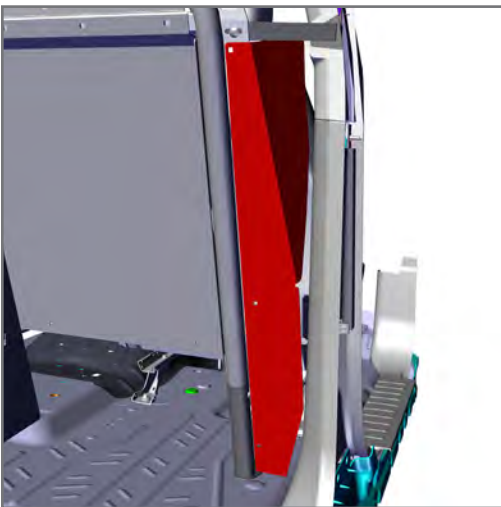


9. Loosely attach Center HSEP onto BDRH outside of vehicle using provided carriage bolts and flange nuts.

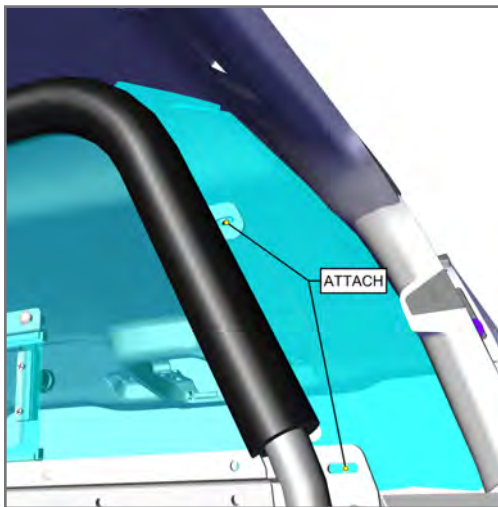


10. Place the assembled BDRH with Center HSEP into vehicle. Attach BDRH to Partition Frame using provided carriage bolts and flange nuts. Push carriage bolts in from prisoner side of partition. Tighten all bolts/nuts.

**SOLO INSTALL NOTE:**  
Use masking tape over carriage bolts to hold in place while attaching flange nuts from front side of partition

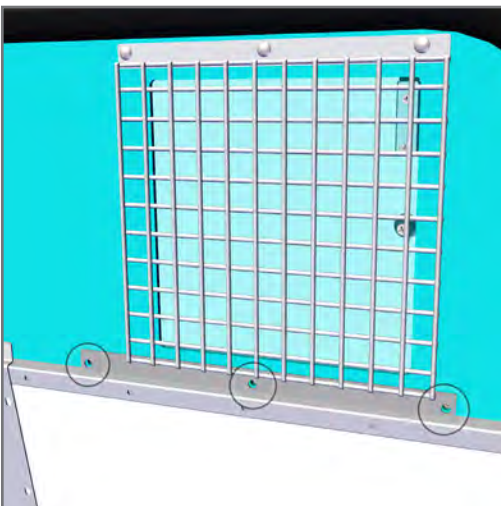


11. Install Lower Steel Wing from prisoner side using carriage bolts and flange nuts.

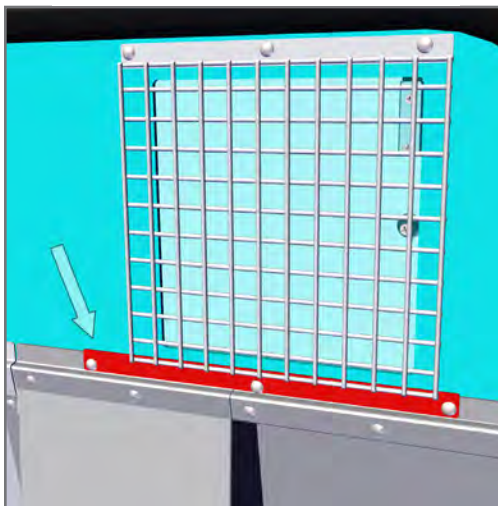


12. Install Upper Poly Wing from officer side and secure with provided carriage bolts and flange nuts. Install cap nut covers on all flange nuts.

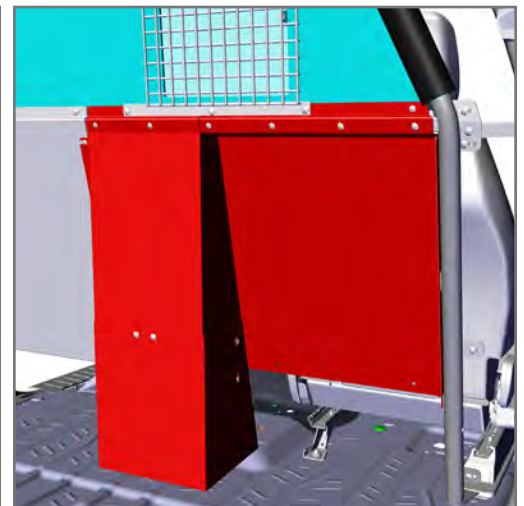
**FOR FULL WINDOW ASSEMBLY ONLY**



1. Before you install the BDRH you will need to remove the lower window channel and sliding window by removing the hand tightened carriage bolts and nuts. Remove and set aside for reuse.

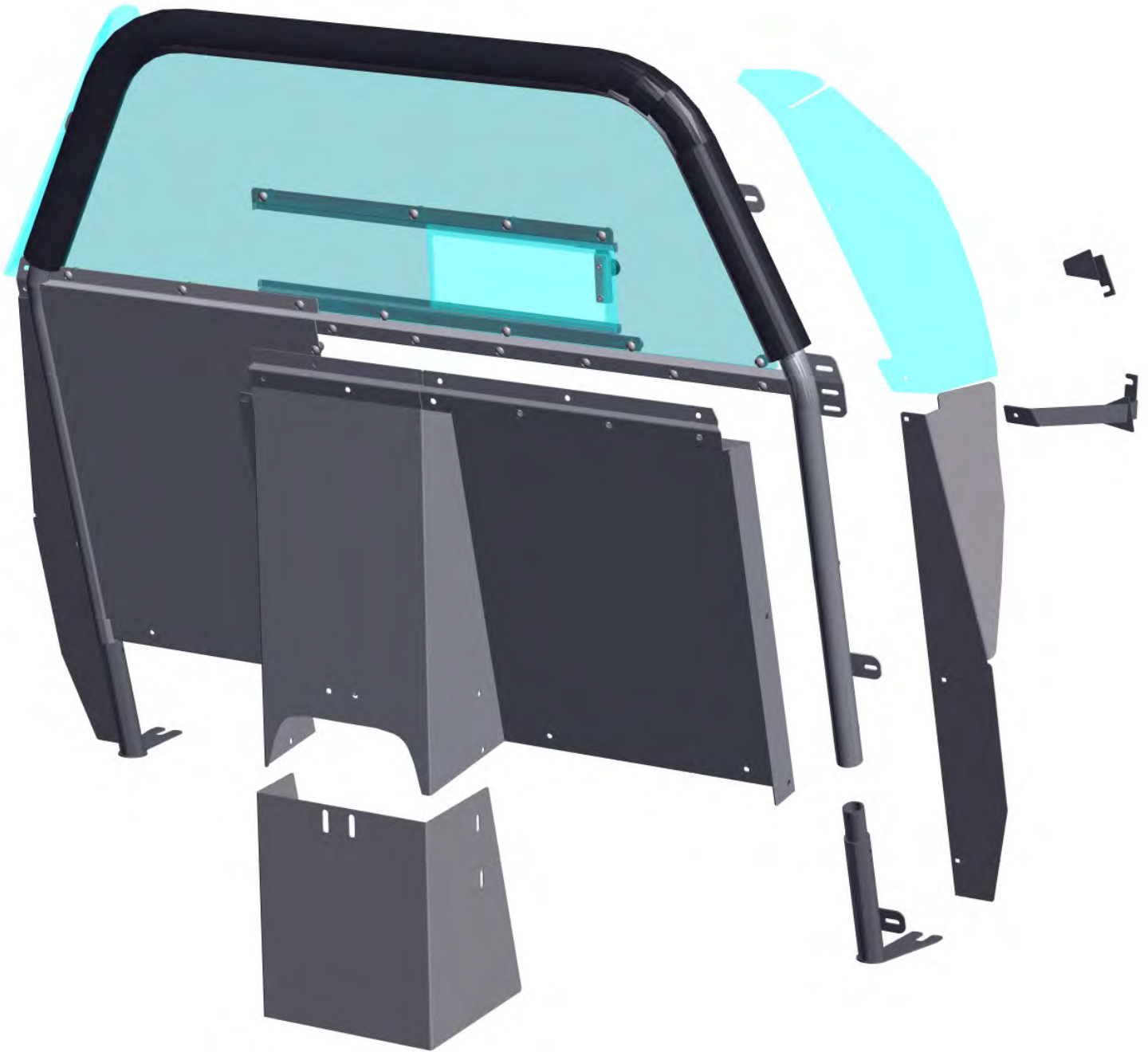


2. When installing the BDRH, be certain the Safety-Wire is installed on the outside of the housing. It will be necessary to pull the bottom of the Safety-Wire out so the BDRH can slip underneath.



3. Install the assembled BDRH with HSEP to the Partition Frame with previously removed and supplied carriage bolts and flange nuts. Tighten all bolts/nuts.

**SOLO INSTALL NOTE: Use masking tape over carriage bolts to hold in place while attaching flange nuts from front side of partition**



If you have questions or need further assistance please call Technical Support: 1.877.455.6886



**209 W. EASY ST., ROGERS, AR 72756 • JOTTOPUBLICSAFETY.COM • 9/24**

Jotto Desk™ is a patented product and Registered Trademark of Assembled Products™ Corporation.  
Specifications subject to change without notice.

050-0075-00

