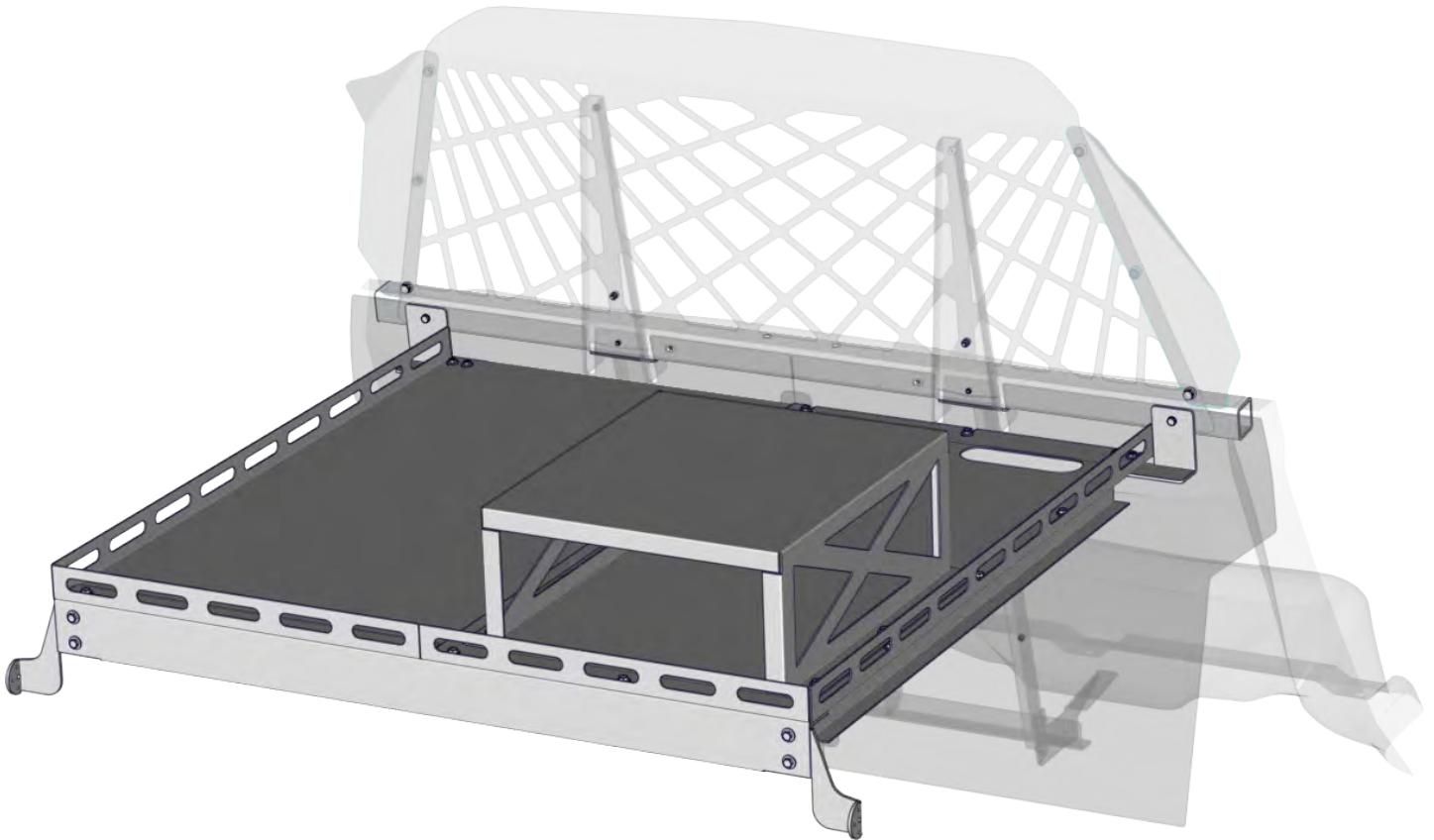




# CARGO COVER/EQUIPMENT TRAY (SRS) CHEVY TAHOE 2021+

Installation Instructions

475-1850



Before beginning the installation, confirm that you have received all of the parts for your package.  
Read the instructions completely before starting installation.



Front Support  
Brackets

Driver Side / Passenger Side



Rear Support  
Brackets



Equipment  
Cover

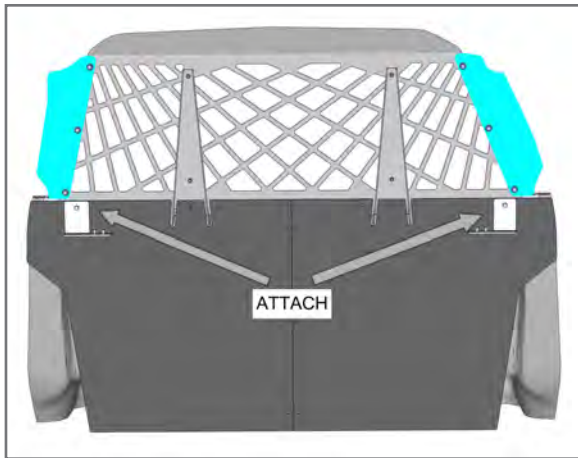
Cargo Cover Frame



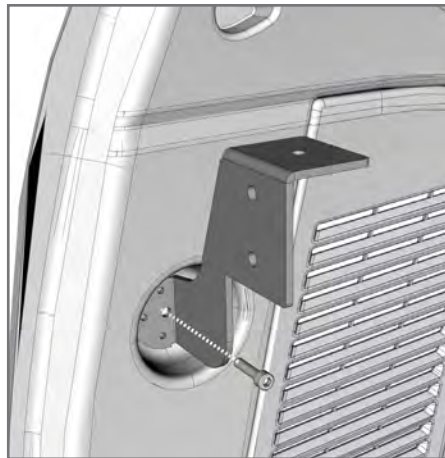
Cargo Cover Tray



Edge Bracket



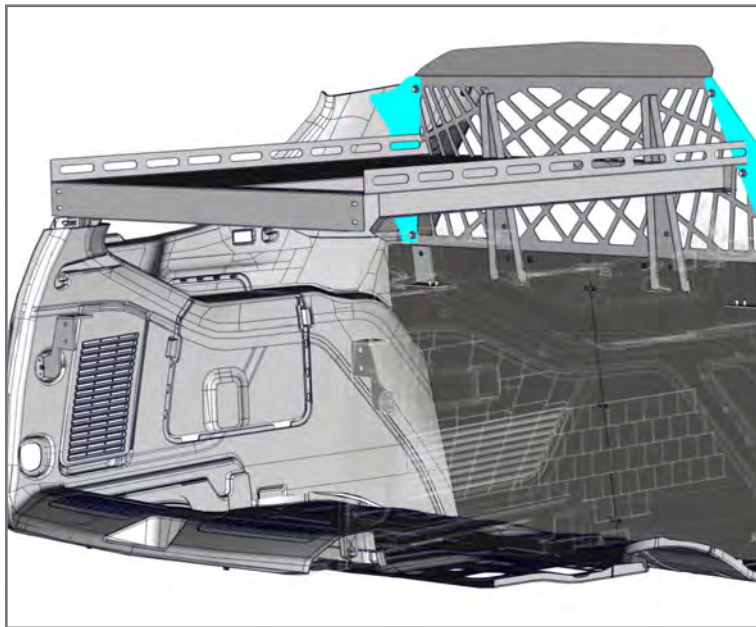
1. Remove the outer (2) ¼-20 x ½" bolts attaching the Cargo Cover to the Top Bar Frame. Loosely secure the Driver Side and Passenger Side Rear Support Brackets with provided (2) ¼" lock washers and ¼-20 x ¾" bolts.



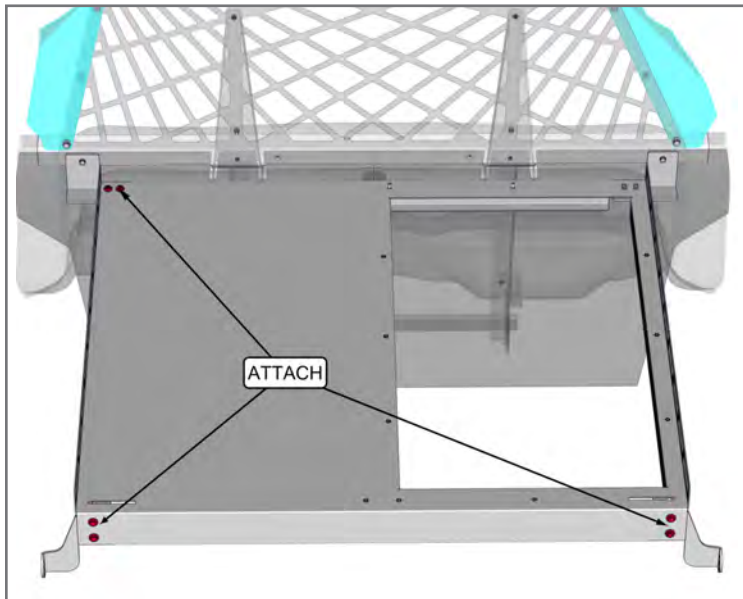
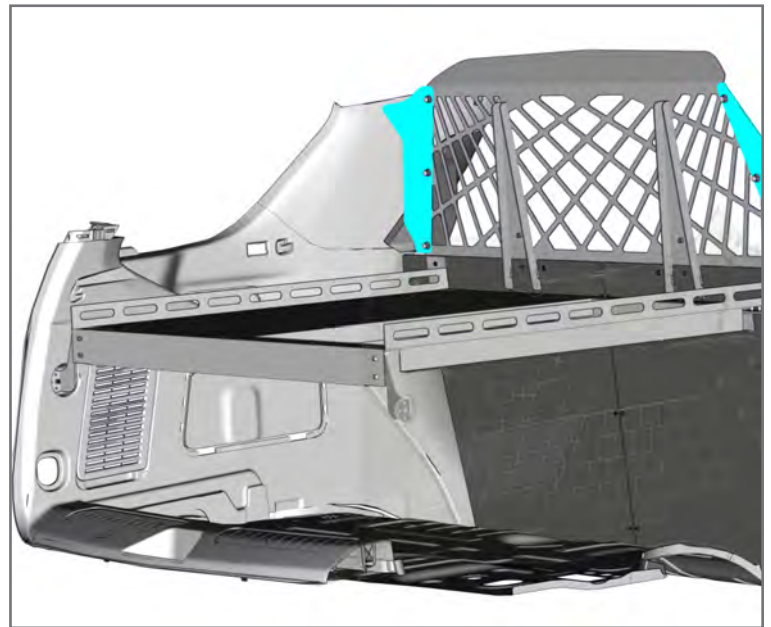
2. Unscrew the (2) OEM Trunk Cargo Net Tie-Down Hooks.



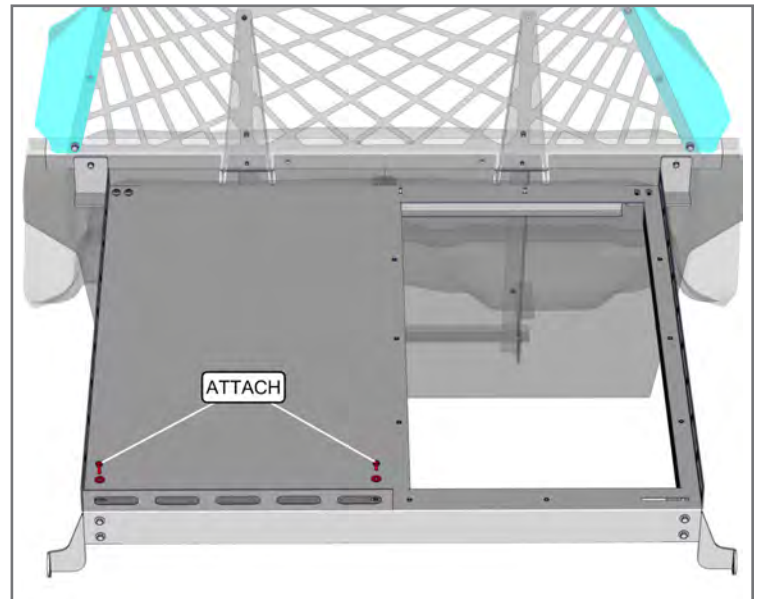
3. Loosely secure the Driver Side and Passenger Side Front Support Brackets with provided (2) M6 x 1.0 Socket Head Cap Screw.



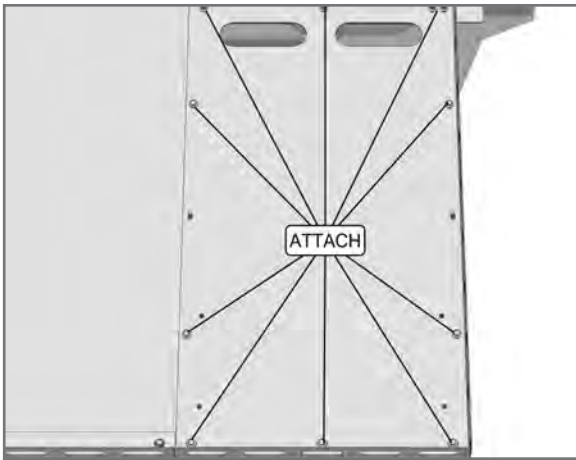
4. Place the Cargo Cover Frame onto, Driver Side / Passenger Side Front Brackets and Rear Support Brackets.



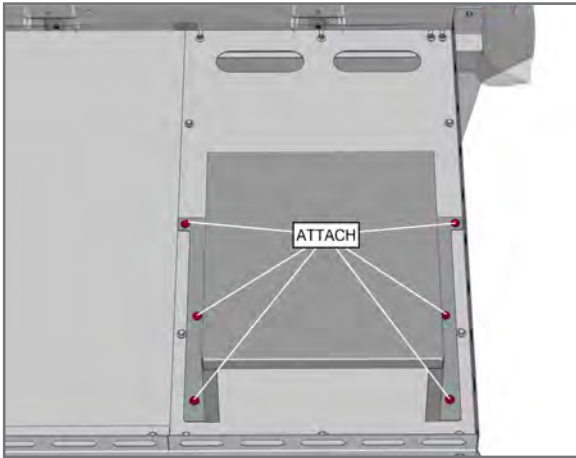
5. Secure the Cargo Cover Frame to the Drivers Side Rear Support Bracket with provided (2) ¼-20 flange nuts and the Front Support Brackets with (4) ¼" washers and ¼-20 bolts.



6. Attach the Edge Bracket to the top of the Cargo Cover Frame securing to the Driver Side Front Support Bracket with provided (2) ¼" washers and ¼-20 bolts.



7. After equipment is attached to the removable Cargo Cover Tray, insert and secure to the Cargo Cover Frame with provided (7) 1/4" washers and 1/4-20 bolts, and rear section with (4) flange nuts.
8. Now that the Cargo Cover Tray is installed, fully tighten the previously "loosely" attached Front and Rear Support Brackets at this time. **"See Steps 1 & 3"**



10. Attach the Cargo Cover Tray to the Cargo Cover Frame with provided (6) 1/4" washers and 1/4-20 bolts.



9. Anchor the Front Support Brackets in place with (6) #8 x 3/4" Tek Screws.

If you have questions or need further assistance please call Technical Support: 1.877.455.6886



209 W. EASY ST., ROGERS, AR 72756 • [www.JottoPublicSafety.com](http://www.JottoPublicSafety.com) • 10/21

Jotto Desk® is a patented product and Registered Trademark of Assembled Products™ Corporation.  
Specifications subject to change without notice.