

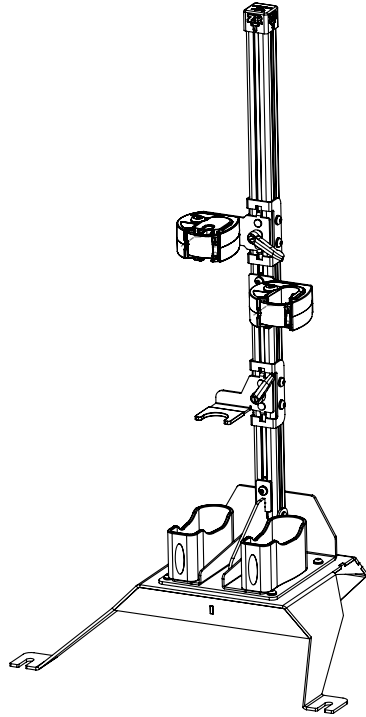


GR6-ZRT-AR-BLM-870

2016-2018 CHEVROLET SILVERADO

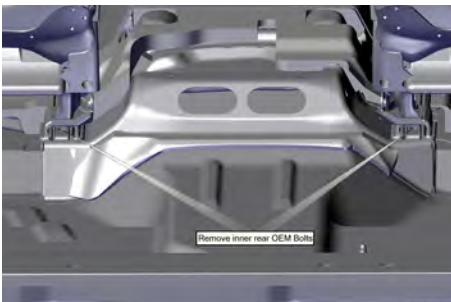
Installation Instructions

475-2025

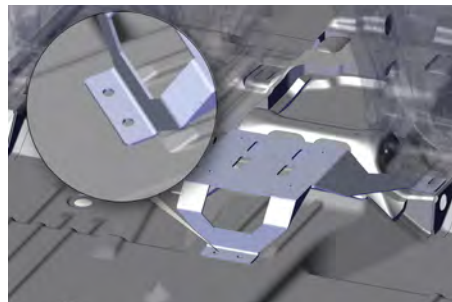


Parts Included:

- Hardware Bag With Necessary Nuts, Bolts, Etc.



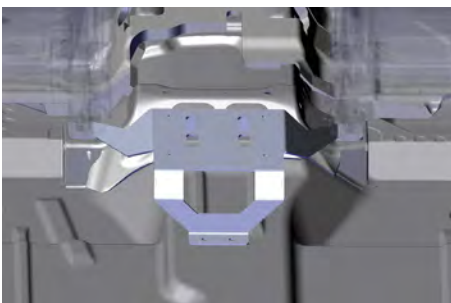
Loosen front T50 seat bolts on rear of front seats nearest transmission hump.



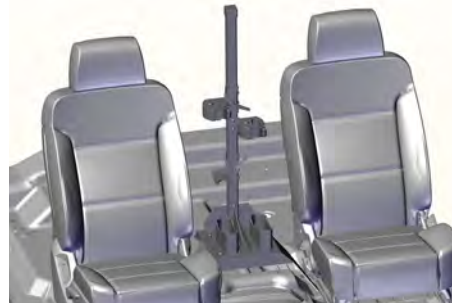
Slide GR6 mounting plate underneath seat rails of front seats Mark hole locations at rear of mounting plate for AVK install. Remove mounting plate and set aside.



Install AVK fasteners, see other side for AVK install instruction, or watch the video here.



Reposition mounting plate underneath seat rails of front seats and tighten all OEM seat bolts and use provided hardware for AVK locations.



Position assembled backbone onto GR6 mounting plate.

Secure to plate using provided (4) button head cap screws.

INSTALLATION INSTRUCTIONS AVK FASTENER

1. Drill out existing hole to 1/2" or drill new hole per installation instructions. (Pic A)
2. Place 5/16-18 x 1.5" long bolt through the 3/8" flange nut and hand thread bolt into the AVK fastener. (Pic B)
3. Place into 1/2" drilled hole (Pic C) and use 9/16" Box End Wrench to secure the flange nut. (Pic D) Apply pressure on the flange nut, pressing AVK fastener into hole. Using an air wrench, tighten the 5/16-18 x 1.5" bolt. (Pic E) This will allow the AVK fastener to secure onto the backside of the metal. Remove 5/16-18 x 1.5" bolt. (Pic F)
4. Follow installation instructions from this point forward.

Installation video can be viewed at :

<http://jottopublicsafety.gojotto.com/additional-categories/downloads.html>



A



B



C



D



E



F

If you have questions or need further assistance please call Technical Support: 1.877.455.6886



209 W. EASY ST., ROGERS, AR 72756 • JOTTOPUBLICSAFETY.COM • 10/24

Jotto Desk™ is a patented product and Registered Trademark of Assembled Products™ Corporation.
Specifications subject to change without notice.

050-0110-00

