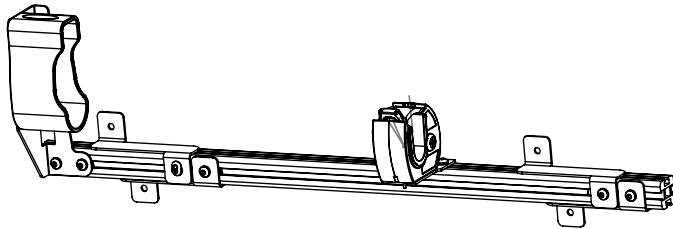




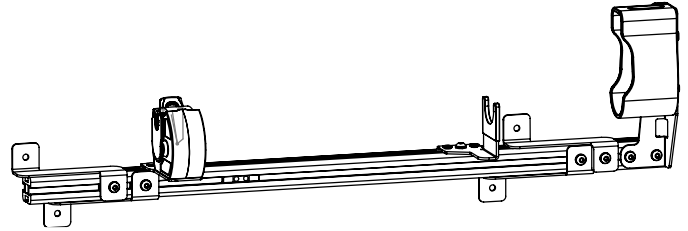
GR4-ZRT-AR-BLM-UTM

SUV/PICKUP

Installation Instructions



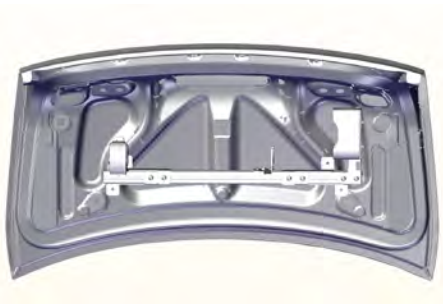
**475-2027
GR4-870-UTM**
(UNIVERSAL TRUNK MOUNT)



**475-2028
GR4-AR-BLM-UTM**
(UNIVERSAL TRUNK MOUNT)

Parts Included:

- Hardware Bag With Necessary Nuts, Bolts, Etc.



Secure weapon in gun rack, then position weapon mount in desired location. Slide adjustable brackets to meet up with the raised contours of the trunk lid.



Mark holes, center punch, and drill to 1/4" diameter. Drill holes in the center of each mounting location. Be careful not to touch trunk lid sheet metal with drill bit, it will dimple easily.



Hold gun rack in position, insert rivet through flat washer and into the holes drilled in trunk lid. Secure with rivet in all 4 locations.

Install weapon and check for secure well adjusted fit.

If you have questions or need further assistance please call Technical Support: 1.877.455.6886



209 W. EASY ST., ROGERS, AR 72756 • JOTTOPUBLICSAFETY.COM • 10/24

Jotto Desk™ is a patented product and Registered Trademark of Assembled Products™ Corporation.
Specifications subject to change without notice.

050-0115-00

