



GR9-ZRT-AR-BLM-870

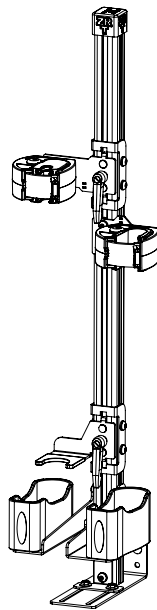
VERTICAL PARTITION MOUNTED ZRT GUN RACKS

Installation Instructions

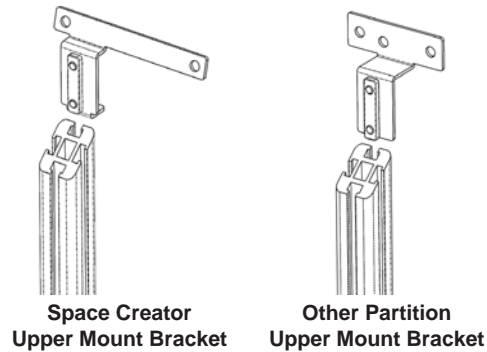
475-2010
475-2014
475-2015
475-2043
475-2042
475-2054
475-2063

Parts Included:

- Hardware Bag with Upper Partition Mounting Brackets and Necessary Nuts, Bolts, Etc.



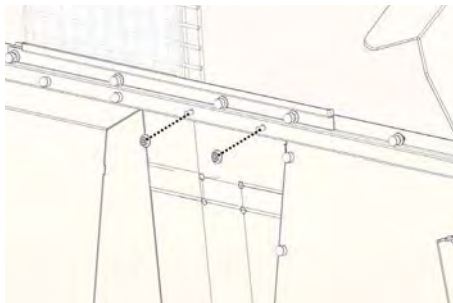
Step 1:



Attach either Upper Mount Bracket to extrusion, sliding T-slot retainer into rear slot. Position as shown below and tighten when in correct location.

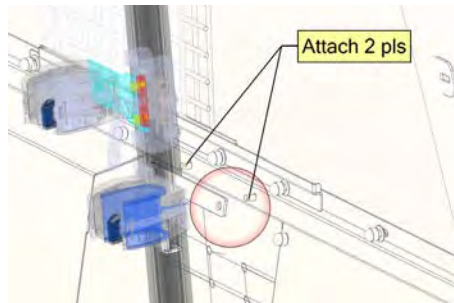
GR9-ZRT-AR-BLM-870

Step 2:



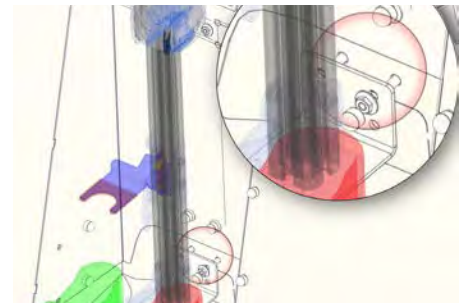
Remove two flange nuts while your helper is holding the carriage bolts in place from the back seat.

Step 3:



Place the gun mount assembly in the recessed area of the partition. Insert the top bracket onto the carriage bolts and secure with previously removed flange nuts.

Step 4:



Attach the lower bracket with the provided carriage bolts and flange nuts. Secure all four mounting points and finish assembly with provided black plastic nut covers.

If you have questions or need further assistance please call Technical Support: 1.877.455.6886



209 W. EASY ST., ROGERS, AR 72756 • JOTTOPUBLICSAFETY.COM • 10/24

Jotto Desk™ is a patented product and Registered Trademark of Assembled Products™ Corporation.
Specifications subject to change without notice.

050-0120-00

