

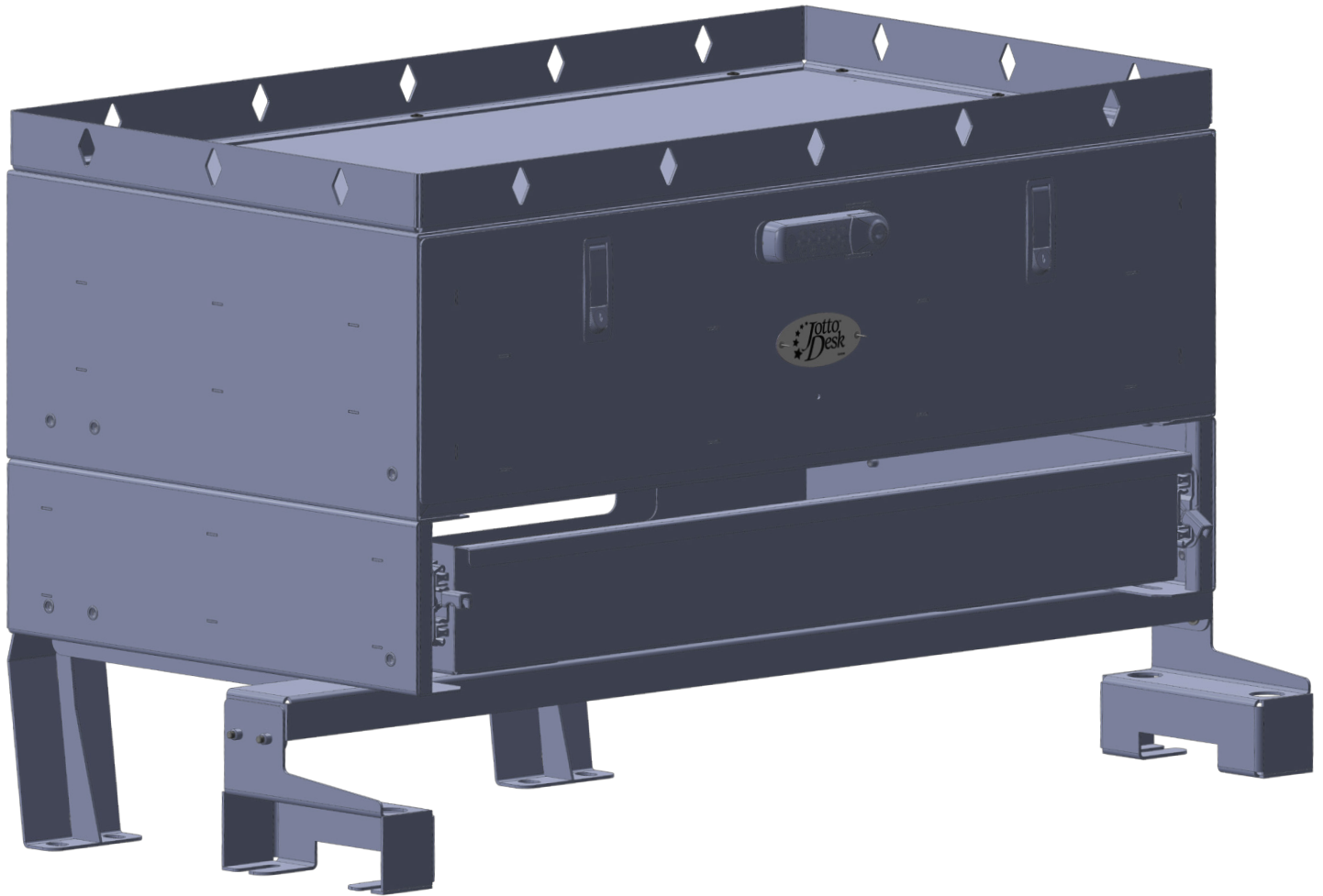


CARGO BOX

2025+ FORD PI UTILITY

Installation Instructions

- Cargo Box - 425-0063
- PI Utility Mounting Kit - 425-0066
- Top Rail - 425-0062
- Equipment Tray - 425-0064
- Electronic Slam Latch - 425-0065

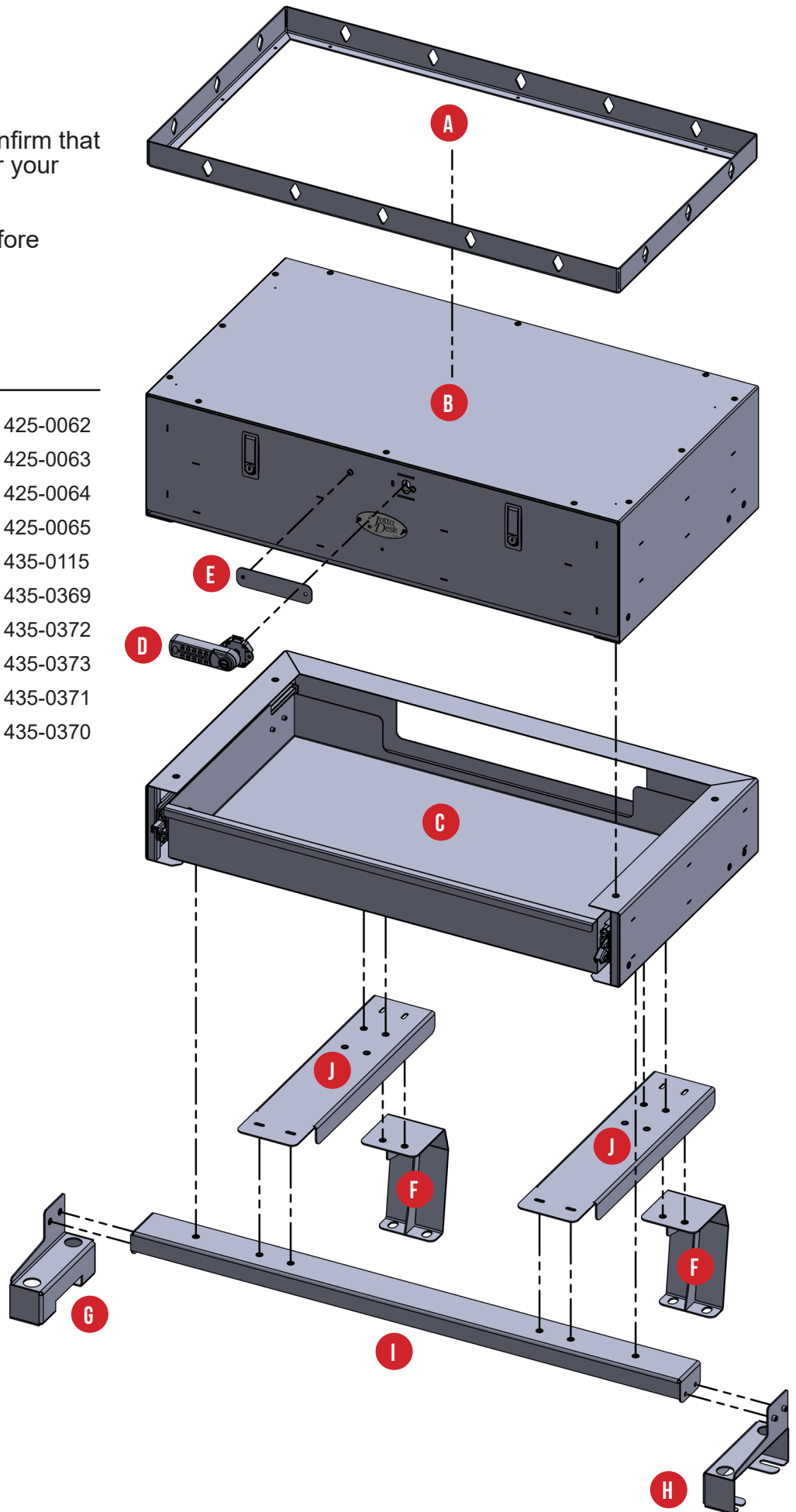


Before beginning the installation, confirm that you have received all of the parts for your package.

Read the instructions completely before starting installation.

DIAGRAM A

- A. Top rail (optional) 425-0062
- B. Cargo box 425-0063
- C. Equipment tray (optional)..... 425-0064
- D. Electronic latch (optional)..... 425-0065
- E. Cover plate (pre-installed)..... 435-0115
- F. Forward bracket 435-0369
- G. D/S mounting bracket 435-0372
- H. P/S mounting bracket..... 435-0373
- I. Center bracket 435-0371
- J. Support bracket..... 435-0370



HARDWARE BAGS

HARDWARE BAG - 435-0354
(FOR 425-0066 PI UTILITY MOUNTING KIT)

ITEM	QTY	DESCRIPTION	PART #
#1	12	Bolt	020-0216
#2	12	Washer	023-0156

HARDWARE BAG - 435-0129
(FOR 425-0063 CARGO BOX AND 425-0064 EQUIPMENT TRAY)

ITEM	QTY	DESCRIPTION	PART #
#3	6	Bolt	025-0013
#4	6	Washer	020-0016

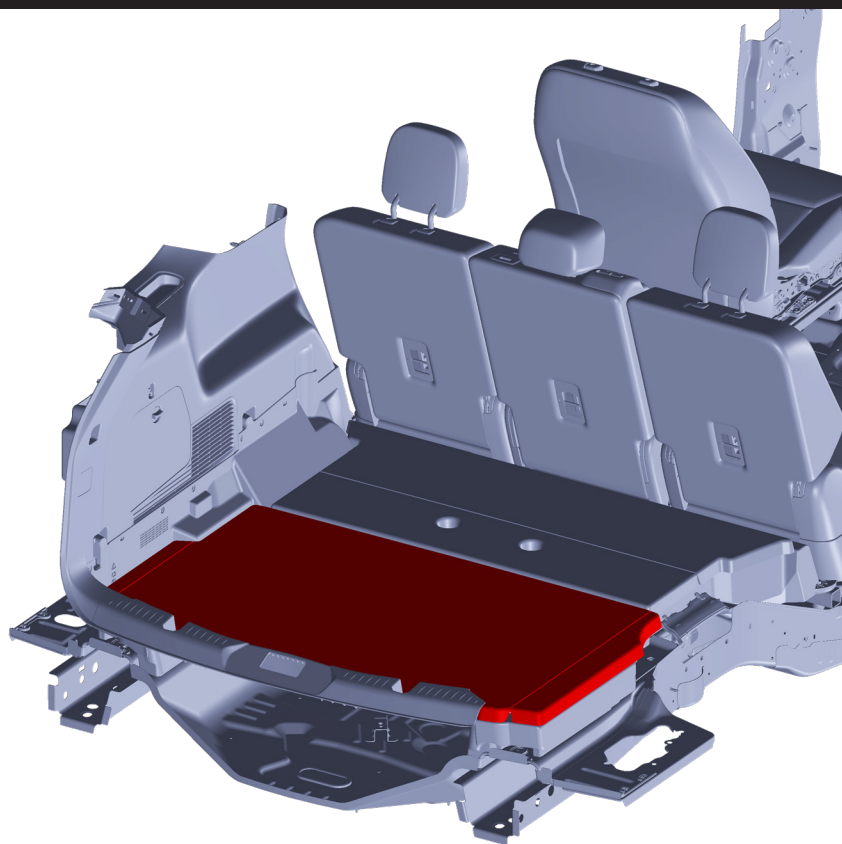
NOTE: You will receive a 435-0129 hardware bag for each cargo box and equipment tray.

HARDWARE BAG - 435-0128
(FOR 425-0062 TOP RAIL)

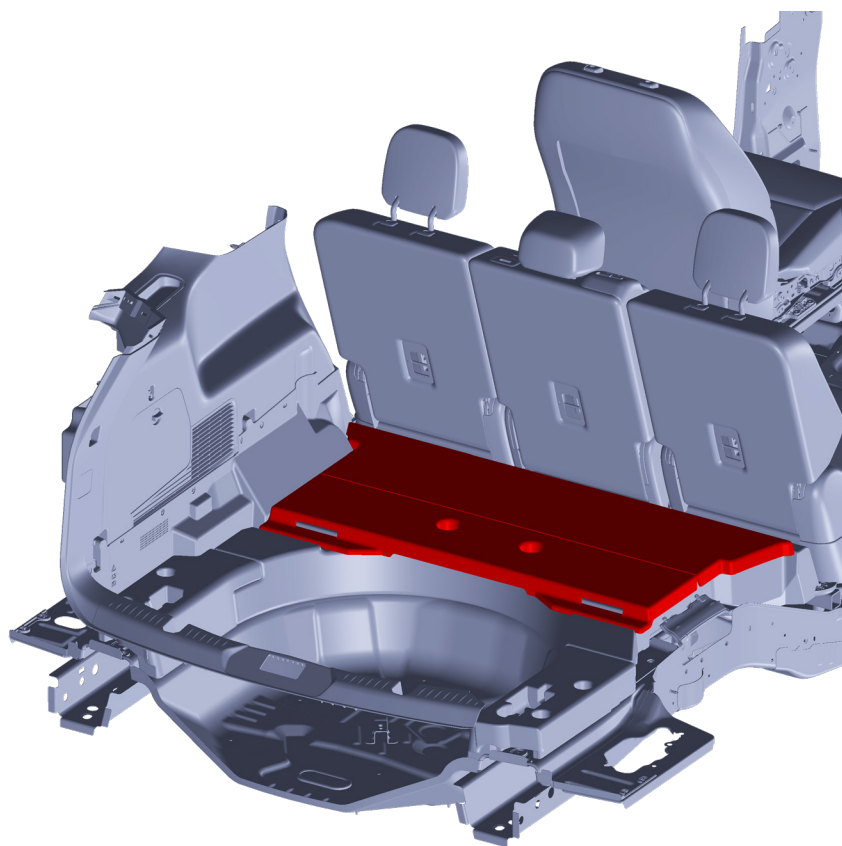
ITEM	QTY	DESCRIPTION	PART #
#5	12	Screw	023-0227

If the storage system is being installed with a seat replacement system, install the seat replacement system in the vehicle before beginning the installation of the storage system.

STEP 1

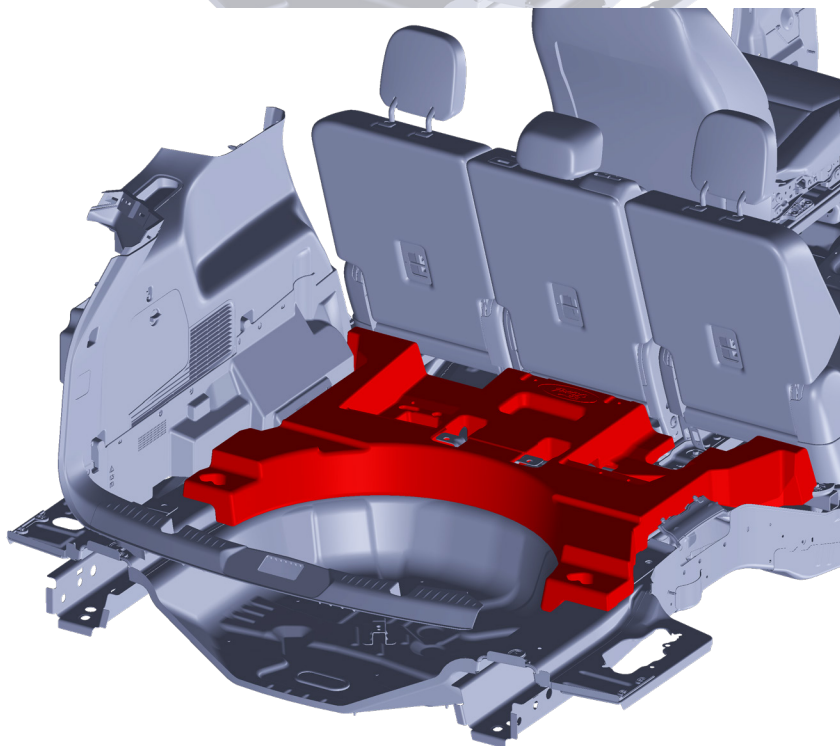
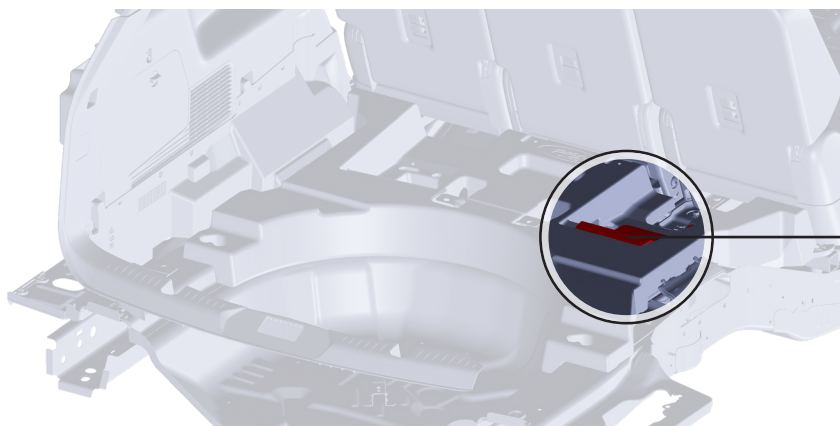
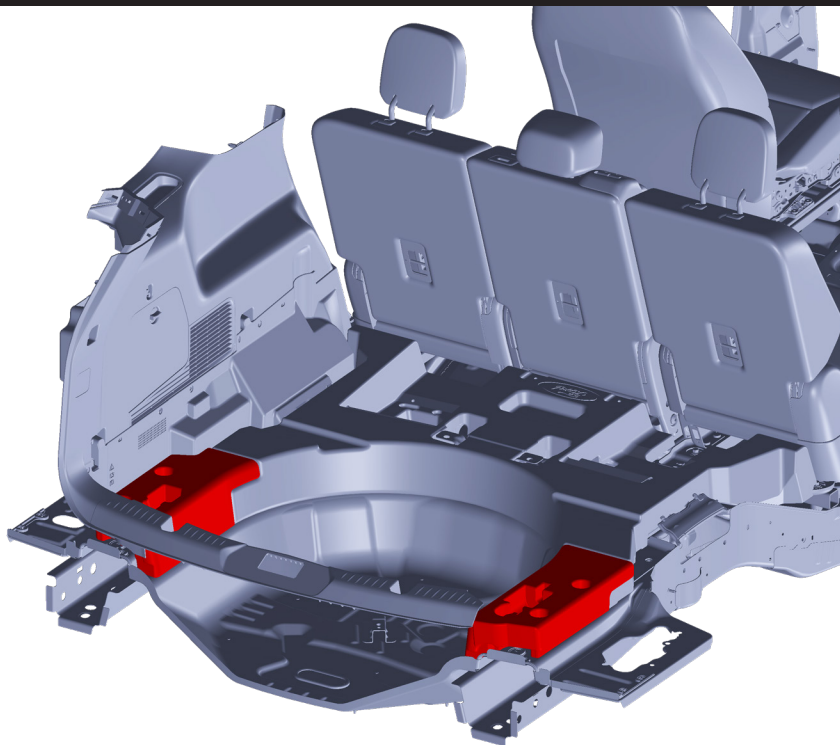


1. Remove OEM rear portion of cargo floor then the forward portion.

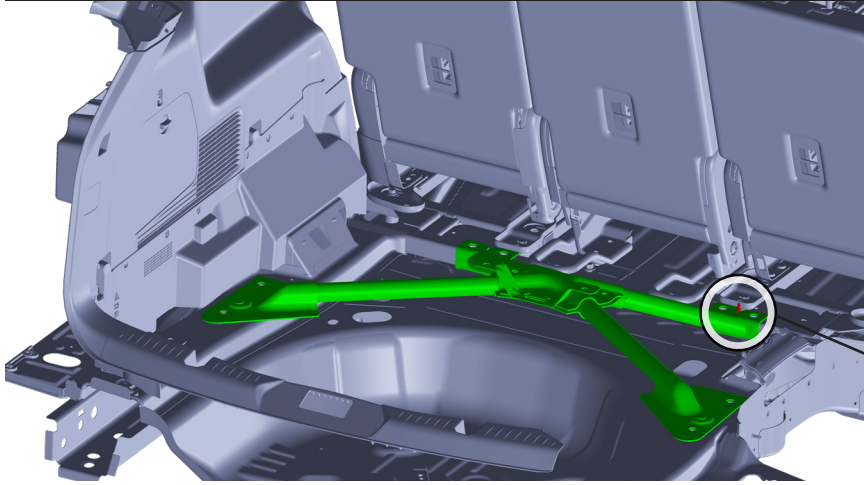


STEP 2

2. Remove OEM foam structure and unclip the wire harness from cover plate.

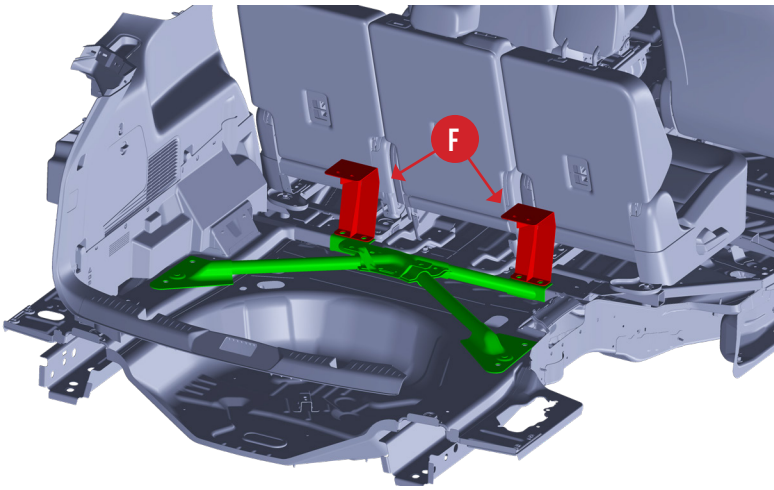
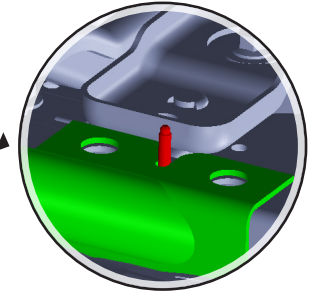


STEP 3

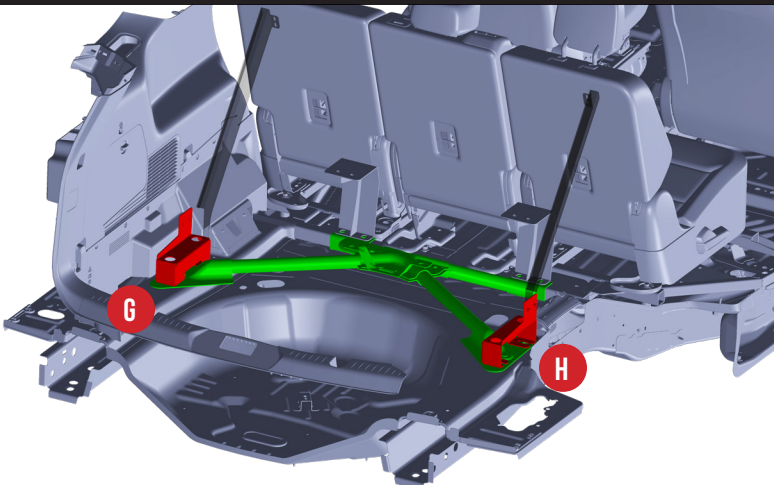


3. Using OEM hardware, loosely attach (2x) **F** forward brackets.

NOTE: An OEM grounding stud may need to be removed with a hammer to install the brackets.

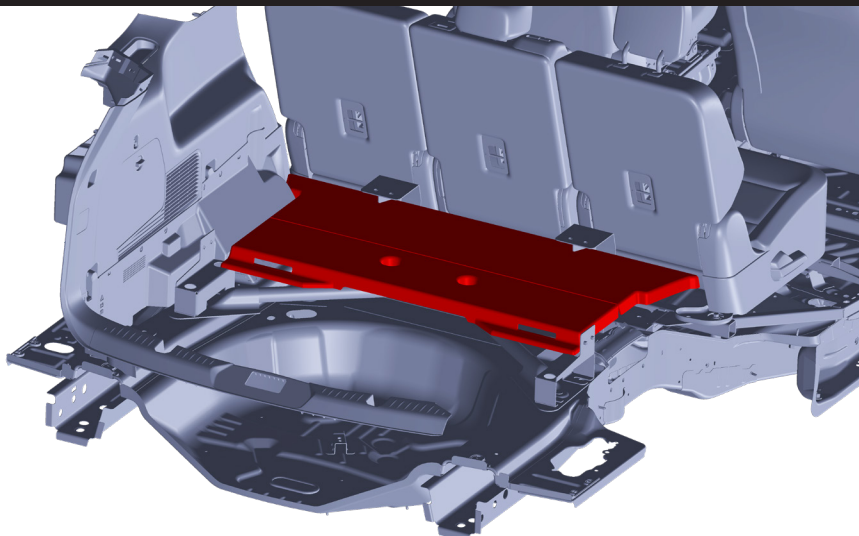


STEP 4



4. Using OEM hardware, loosely attach (1x) **G** D/S mounting bracket and (1x) **H** D/S mounting bracket. (Note: If cargo barrier is to be installed in vehicle, loosely attach (1x) 475-1458 driver side support bracket and (1x) 475-1459 passenger side support bracket underneath the **G** and **H** mounting brackets, respectively.)

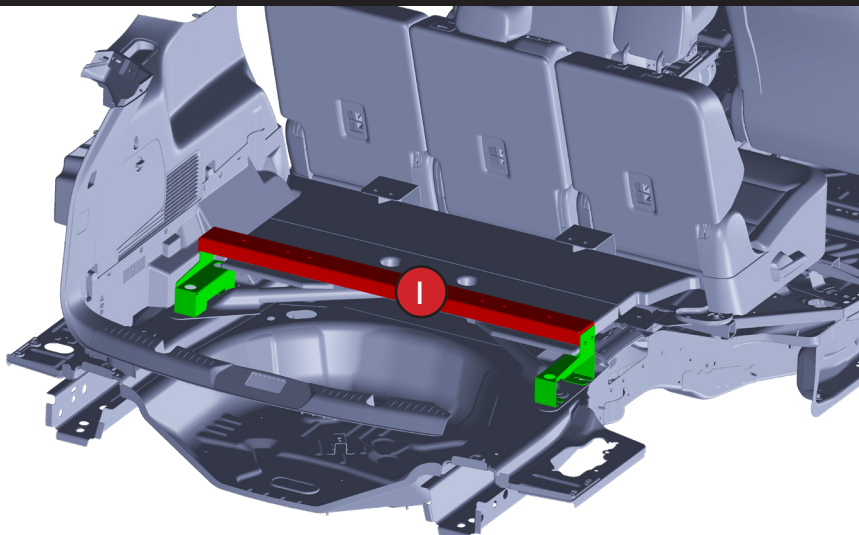
STEP 5



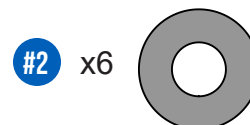
5. Re-install the forward portion of the OEM cargo floor.

NOTE: The OEM foam structure piece is not re-installed, so the forward portion of the OEM floor is only attached and supported via the two OEM thumb screws

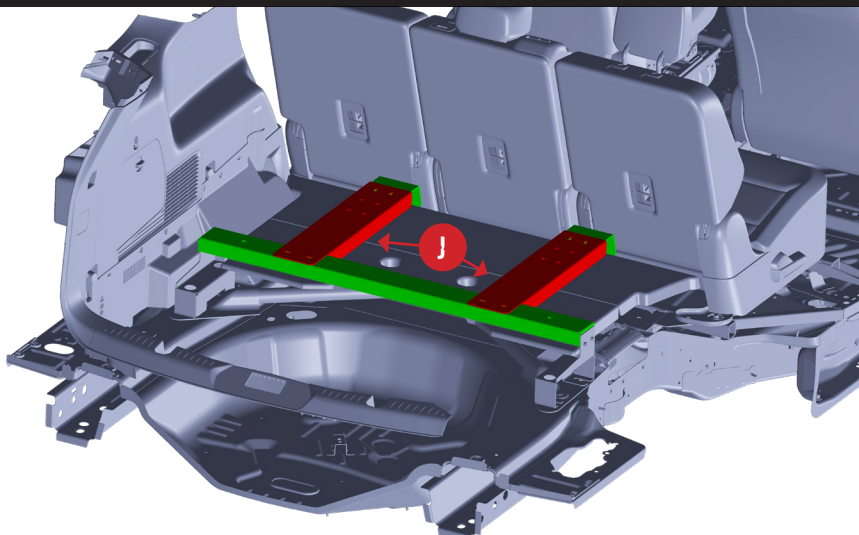
STEP 6



6. Attach the **I** center support bracket with provided (4x) **#1** bolts and (4x) **#2** washers.



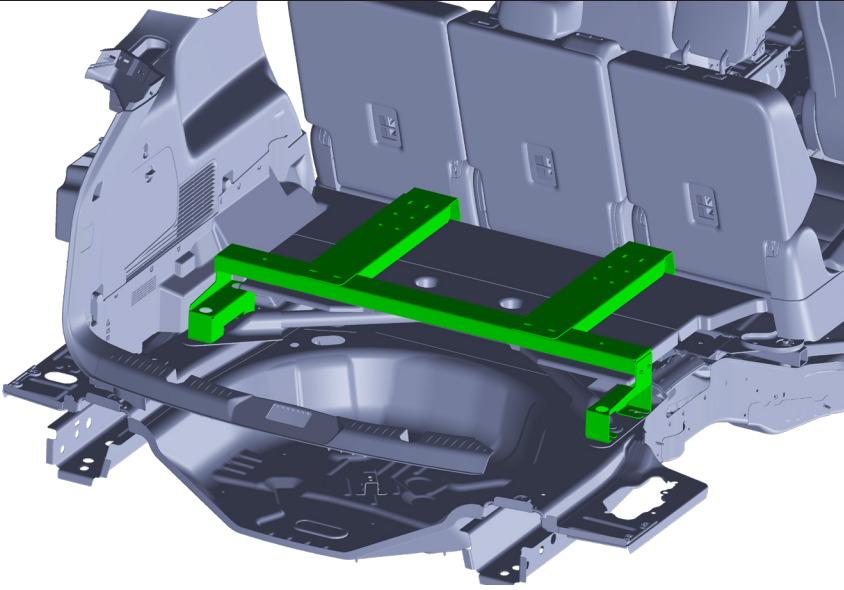
STEP 7



7. 9) Attach (2x) **J** support brackets with provided (4x) **#1** bolts and (4x) **#2** washer.

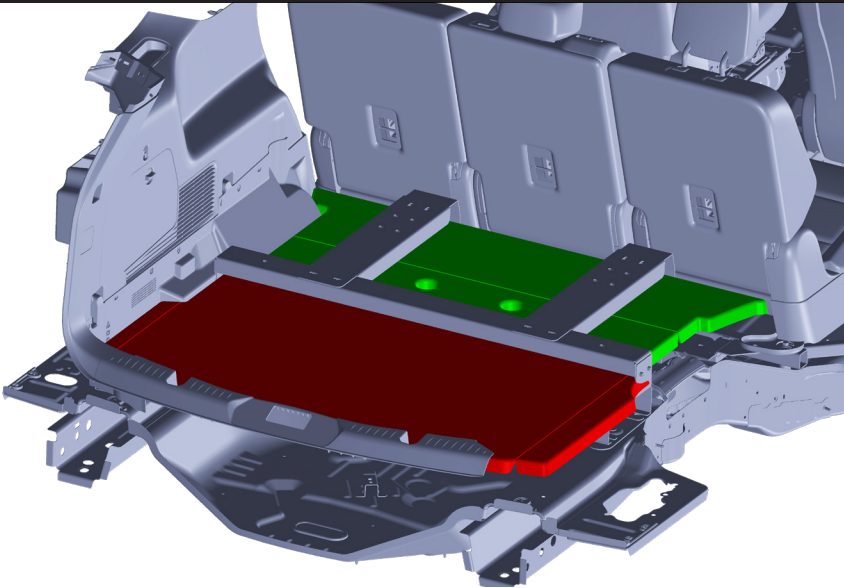


STEP 8



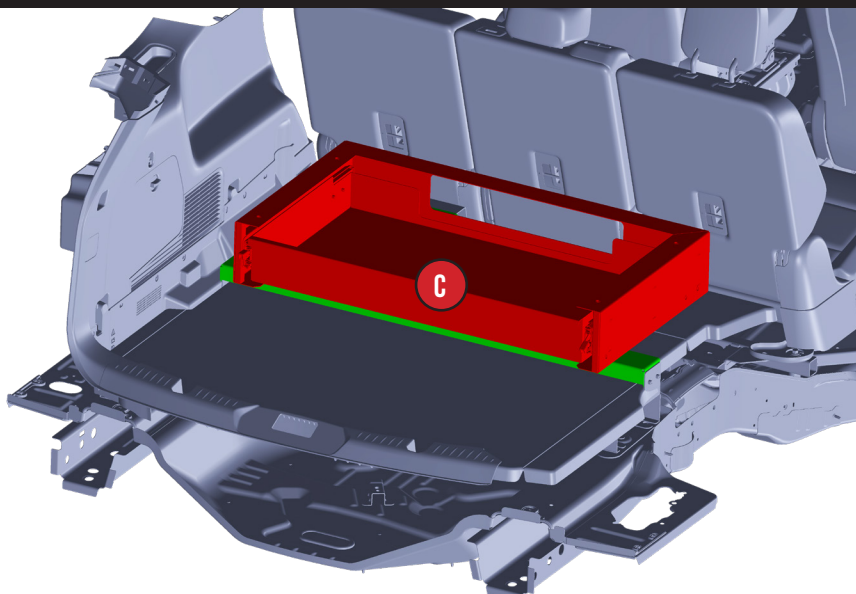
8. Tighten down the (2x) **F** forward brackets, (1x) **G** D/S mounting bracket, and (1x) **H** P/S mounting bracket.

STEP 9



9. Re-install the rear portion of the OEM cargo floor.

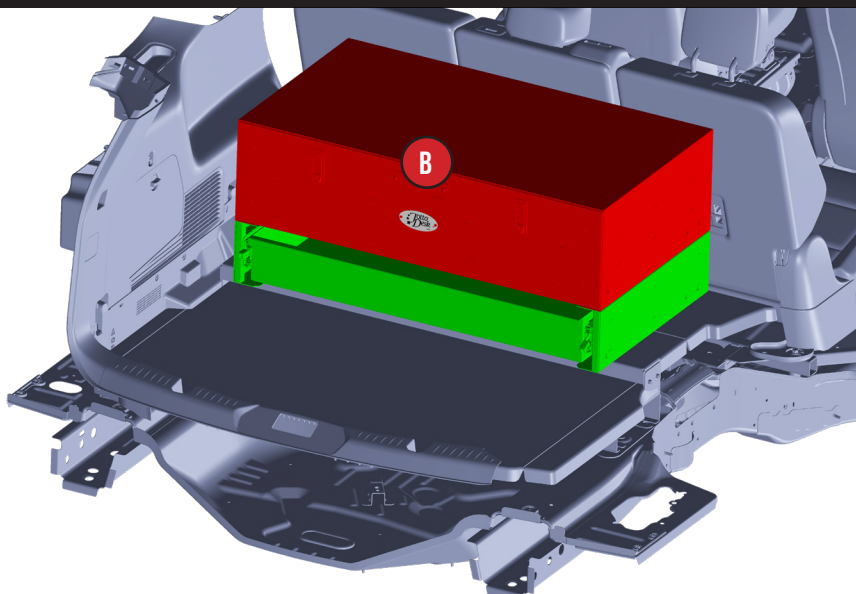
STEP 10



10. If the cargo barrier is being installed, proceed with installing the remaining components of the cargo barrier. If the cargo barrier is not being installed, proceed with mounting the remaining components of the cargo storage system. If the **C** equipment tray is being installed, attach it to the mounting brackets with the provided (6) **#3** bolts and (6) **#4** washers. If no equipment tray is used, proceed with mounting the **B** cargo box using the provided (6) **#3** bolts and (6) **#4** washers.

NOTE: The tray will need to be pulled out to access the mounting slots. There are two sets of mounting holes. The forward-most set of mounting holes is used when the storage system is installed with a seat replacement system. The rear-most set of holes is used when the storage system is installed with a cargo barrier. Align the mounting holes of the equipment tray with the appropriate set of holes. If needed, the 425-0063 cargo box can be set on top of the equipment tray to help properly position the cargo system before everything is fully attached.)

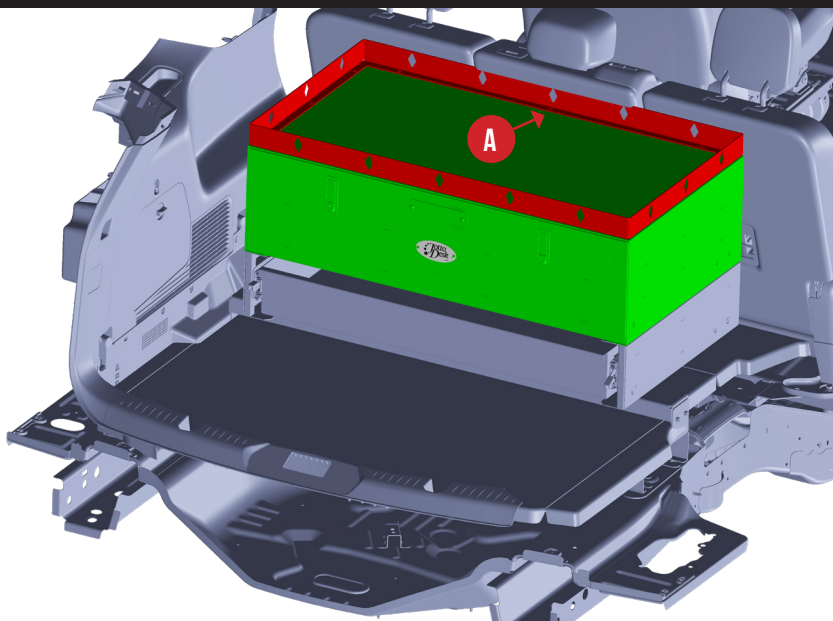
STEP 11



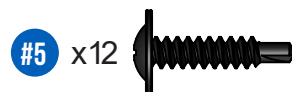
11. If the **C** equipment tray was installed in the previous step, then proceed with installing the **B** cargo box using the provided (6) **#3** bolts and (6) **#4** washers. Make sure the box is aligned with the equipment tray before fully tightening the hardware.

NOTE: The drawer will need to be detached from the slides to access the mounting slots of the box. After installing the box, the drawer will need to be re-attached to the drawer slides.

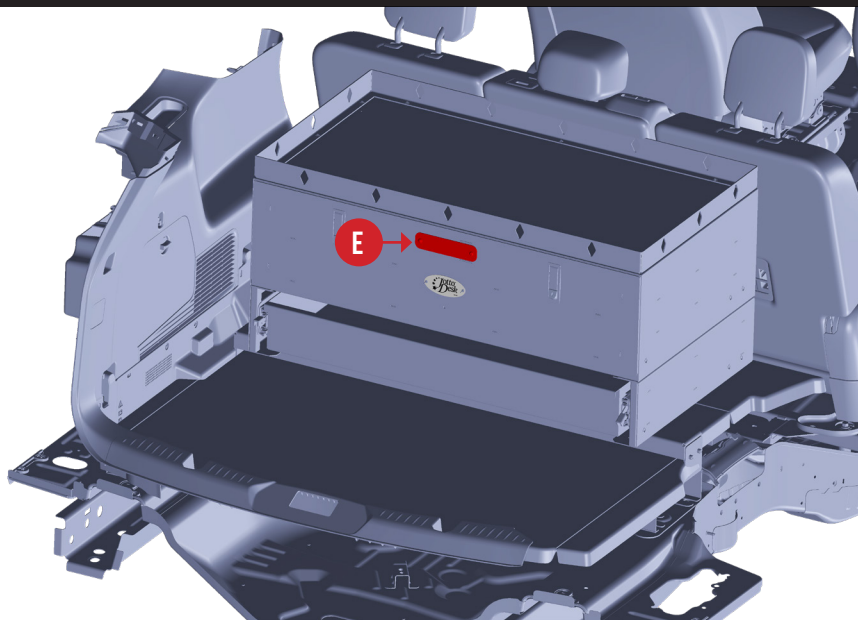
STEP 12



12. If the **A** rail kit is being installed, proceed with installing the rail on top of the box using the provided (12x) **#5** self-drilling screws. Position the rail so that it is centered on top of the box before installing the screws.

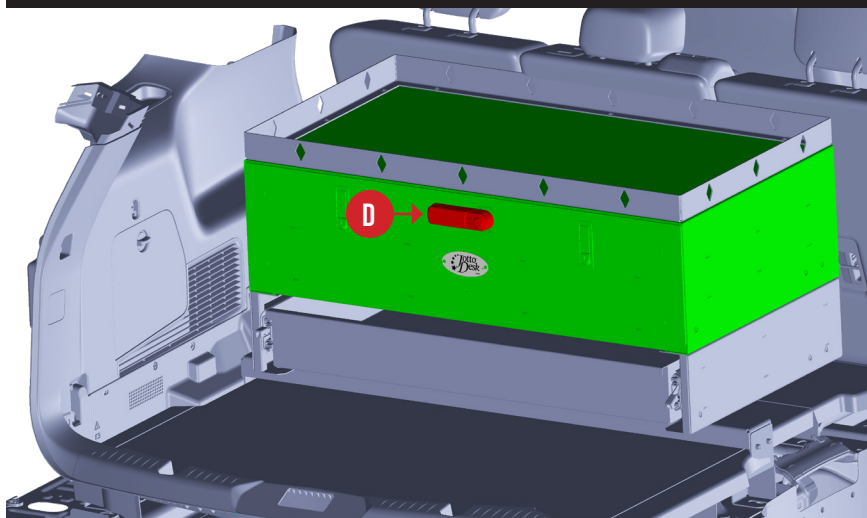


STEP 13



13. If the **D** electronic slam latch is being installed, remove the **E** cover plate from the face of the drawer.

STEP 14



14. Using the hardware included with the **D** electronic slam latch, install the latch to the face of the drawer.

THIS PAGE LEFT BLANK INTENTIONALLY



If you have questions or need further assistance please call Technical Support: (877) 455-6886

405 WEST EASY STREET, ROGERS, AR 72756 • JOTTOPUBLICSAFETY.COM • 11/25

Jotto Desk™ is a patented product and Registered Trademark of Kiefer Sage™. Specifications subject to change without notice.

050-0249-00