



# CARGO BOX

2023+ DODGE DURANGO

---

## Installation Instructions

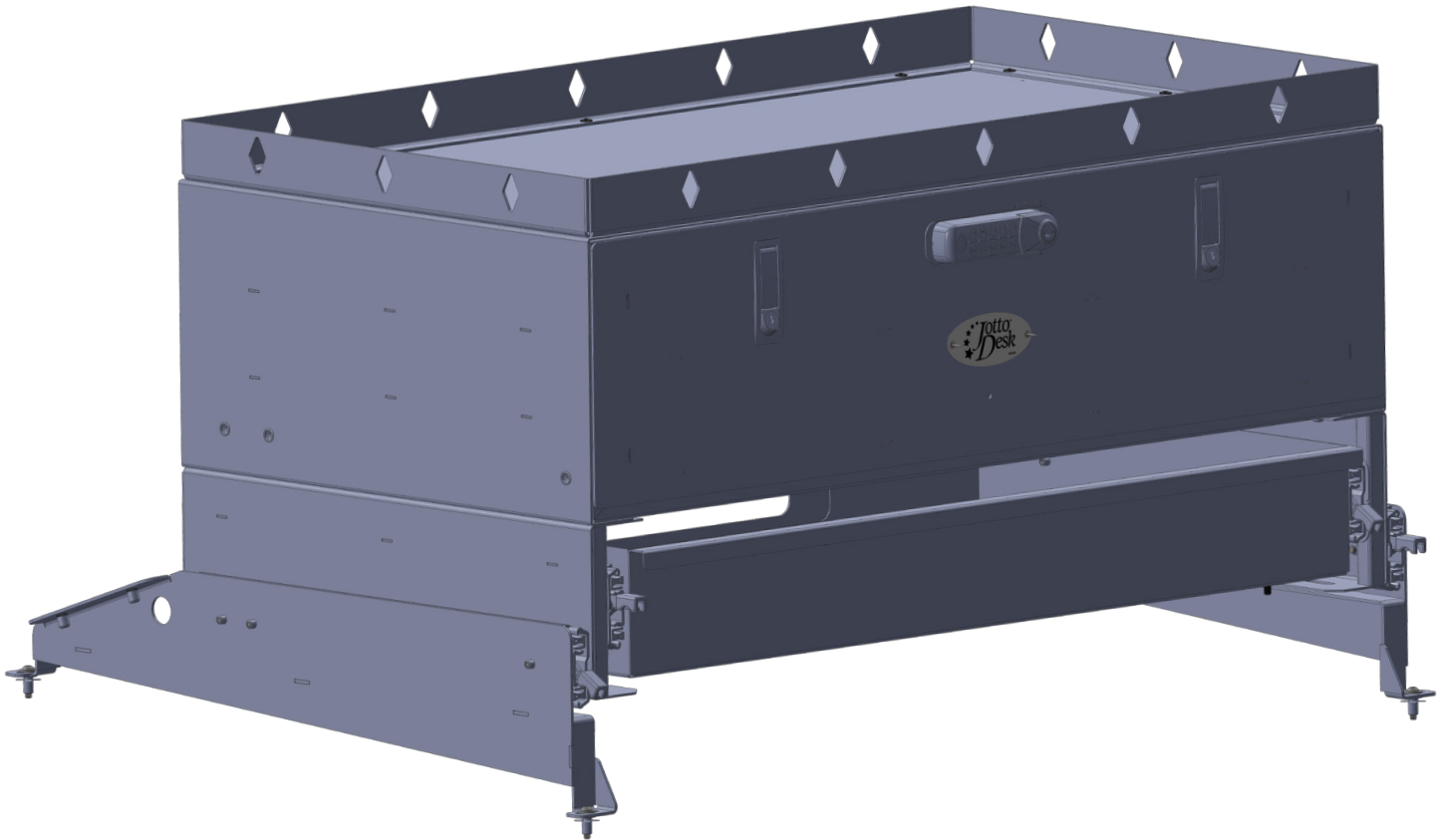
Cargo Box - 425-0063

Durango Mounting Kit - 425-0068

Top Rail - 425-0062

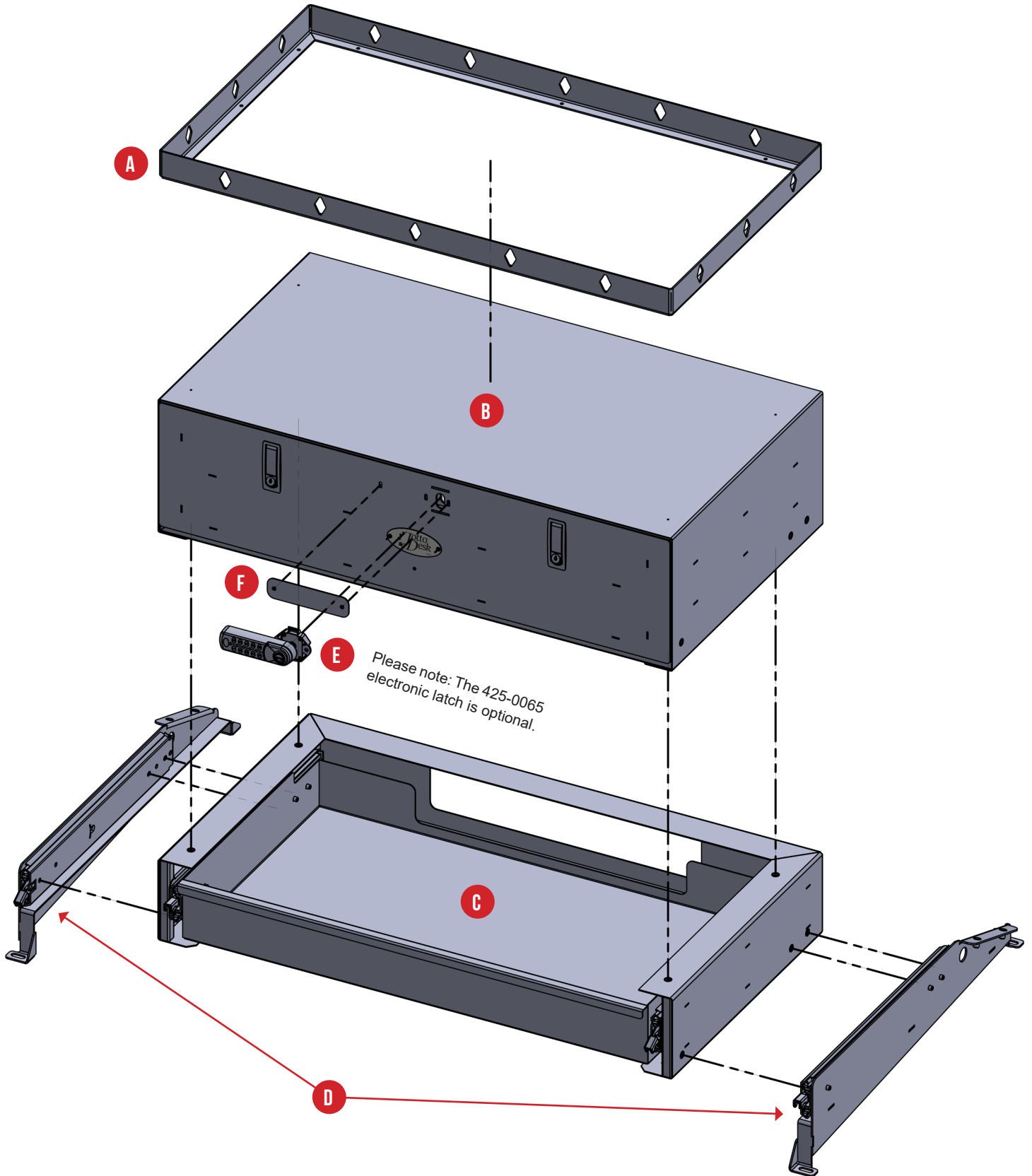
Equipment Tray - 425-0064

Electronic Slam Latch - 425-0065



Before beginning the installation, confirm that you have received all of the parts for your package.

Read the instructions completely before starting installation.



### DIAGRAM A

A. Top rail (optional) .....	425-0062	D. Mounting slides .....	425-0068
B. Cargo box .....	425-0063	E. Electronic latch (optional).....	425-0065
C. Equipment tray (optional).....	425-0064	F. Cover plate (pre-installed).....	435-0115

# HARDWARE BAGS

**HARDWARE BAG - 435-0361**  
(FOR 425-0068 DUGRANGO MOUNTING SLIDES)

ITEM	QTY	DESCRIPTION	PART #
#1	4	Rivet nut	029-0247
#2	6	Bolt	023-0156
#3	4	Screw	022-0054
#4	10	Washer	020-0126

**HARDWARE BAG - 435-0129**  
(FOR 425-0063 CARGO BOX AND 425-0064 EQUIPMENT TRAY)

ITEM	QTY	DESCRIPTION	PART #
#5	6	Bolt	025-0013
#6	6	Washer	020-0016

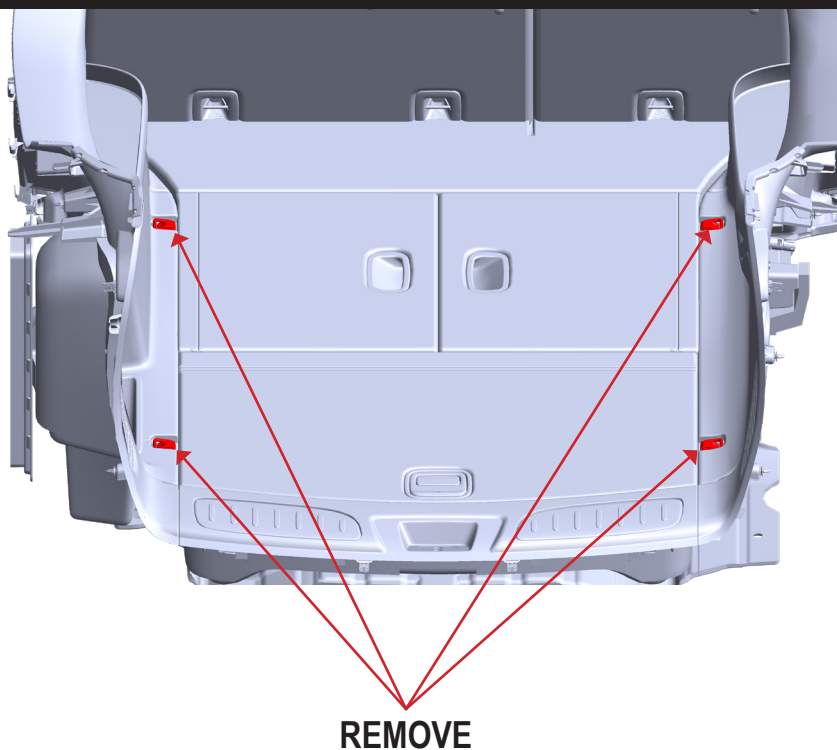
**NOTE:** You will receive a 435-0129 hardware bag for each cargo box and equipment tray.

**HARDWARE BAG - 435-0128**  
(FOR 425-0062 TOP RAIL)

ITEM	QTY	DESCRIPTION	PART #
#7	12	Screw	023-0227

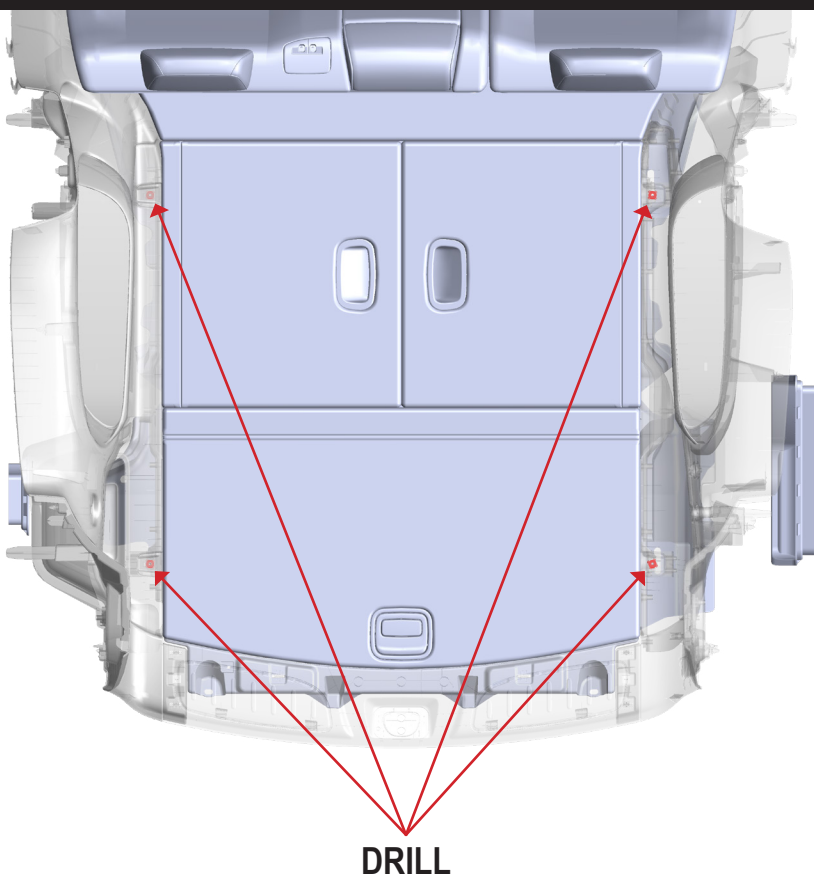
If the storage system is being installed with a seat replacement system, install the seat replacement system in the vehicle before beginning the installation of the storage system.

## STEP 1

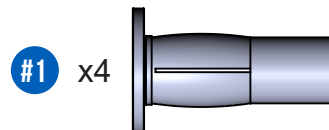


1. Remove (4x) OEM cargo ties.

## STEP 2-3

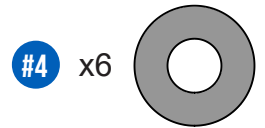
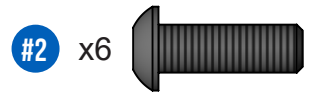
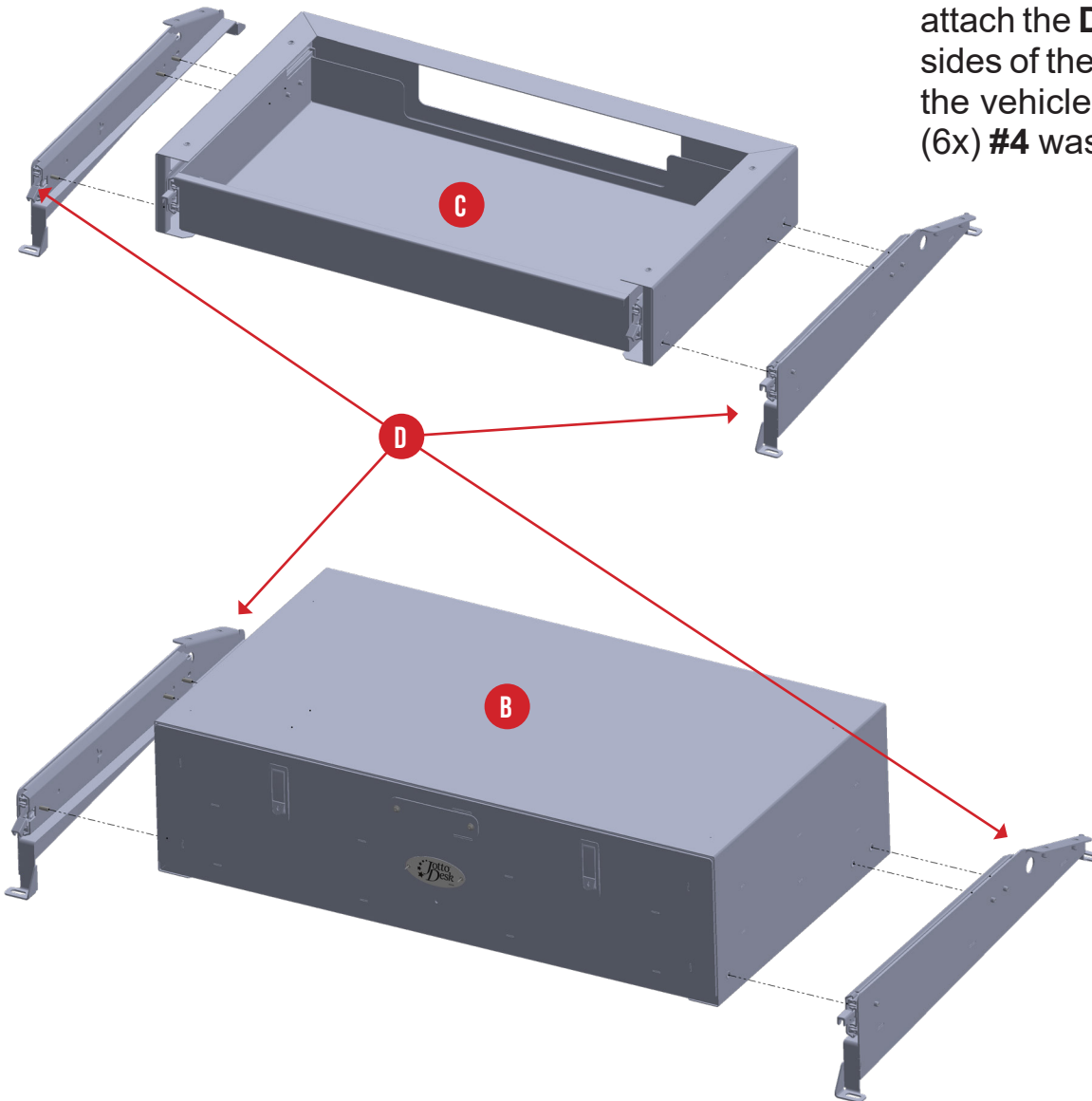


2. Drill a 0.750" clearance hole in the plastic trim where each of the (4x) OEM cargo ties were removed.
3. In the metal, drill a .390" - .396" diameter hole to install the provided (4x) #1 rivet nuts in the (4x) locations where each of the OEM cargo ties were removed.

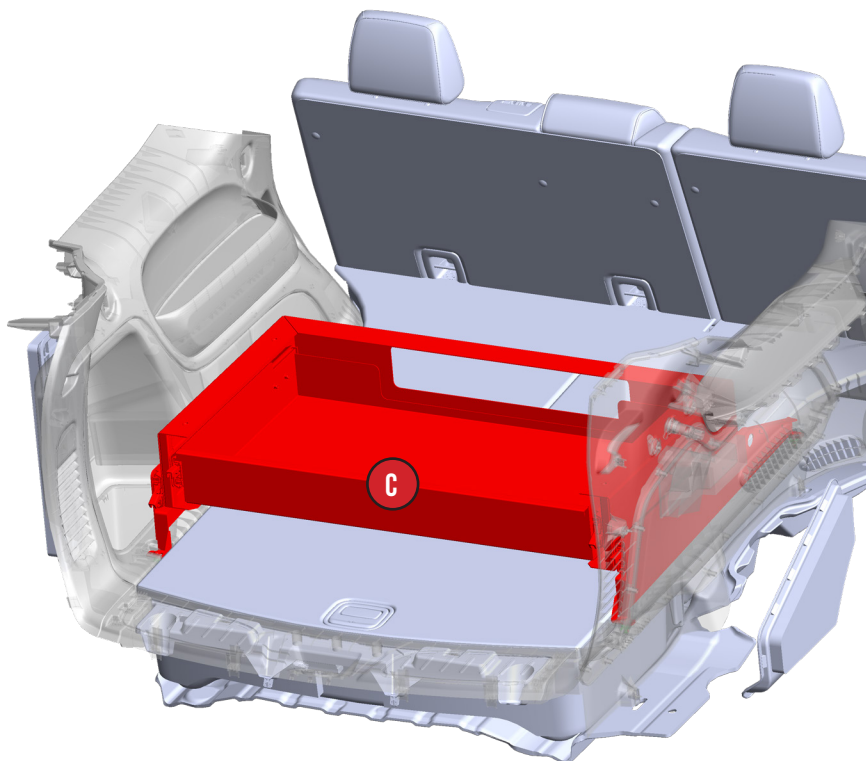


## STEP 4

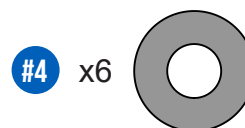
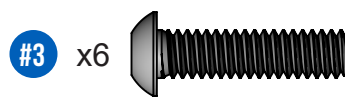
4. If a **C** equipment tray is being installed, attach the **D** mounting slides to the sides of the equipment tray outside of the vehicle with (6x) **#2** bolts and (6x) **#4** washers. If no equipment tray is being installed, attach the **D** mounting slides to the sides of the **B** cargo box outside of the vehicle with (6x) **#2** bolts and (6x) **#4** washers..



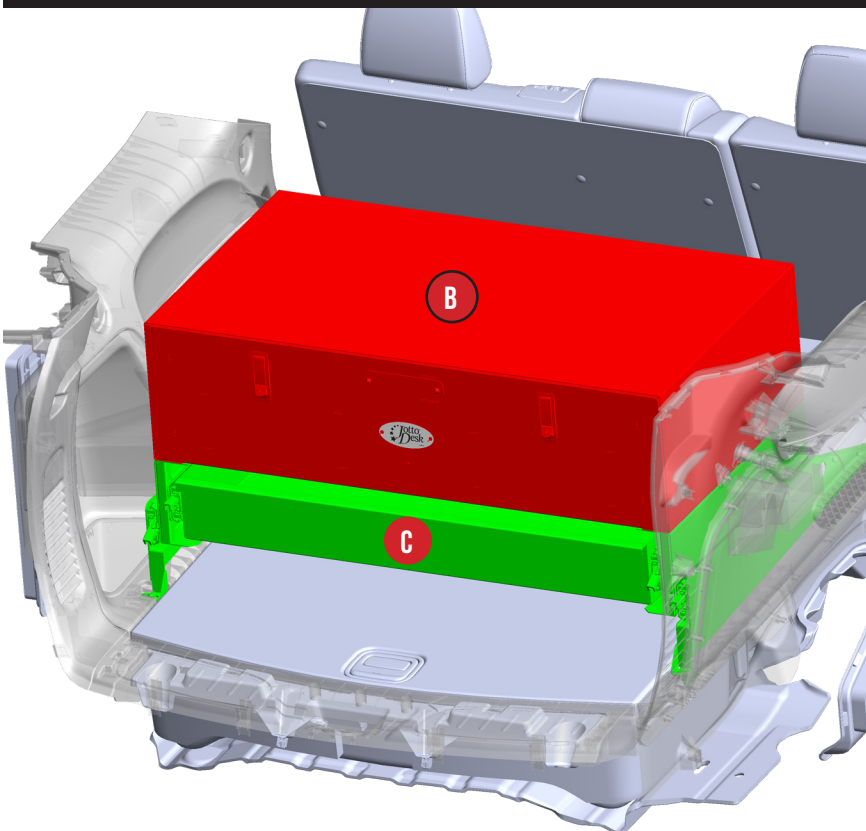
## STEP 5



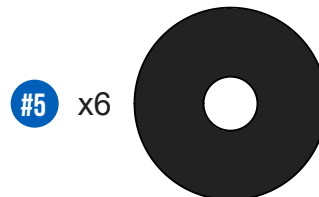
5. With the mounting slides attached, set the **C** equipment tray or the **B** cargo box into the vehicle and line it up on the (4x) OEM mounting locations. Attach using (4x) **#3** bolts and (4x) **#4** washers.



## STEP 6

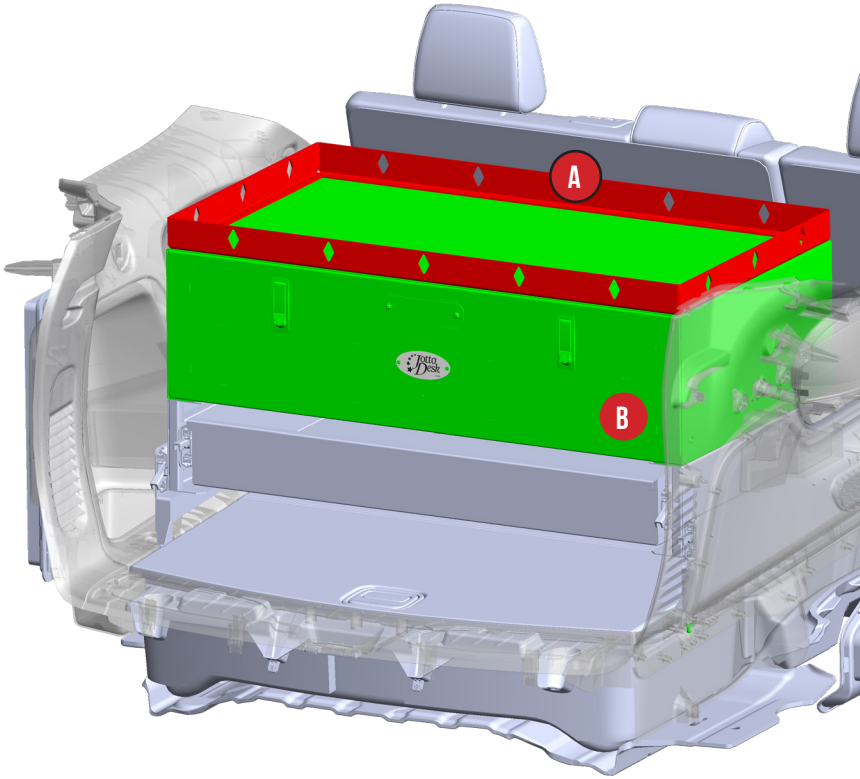


6. If the **C** equipment tray has been installed, proceed with installing the **B** cargo box on top of the **C** equipment tray using the provided (6x) **#5** bolts and (6x) **#6** washers.

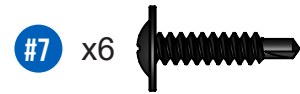


**NOTE:** The drawer will need to be detached from the slides to access the mounting slots of the box. After installing the box, the drawer will need to be re-attached to the drawer slides.

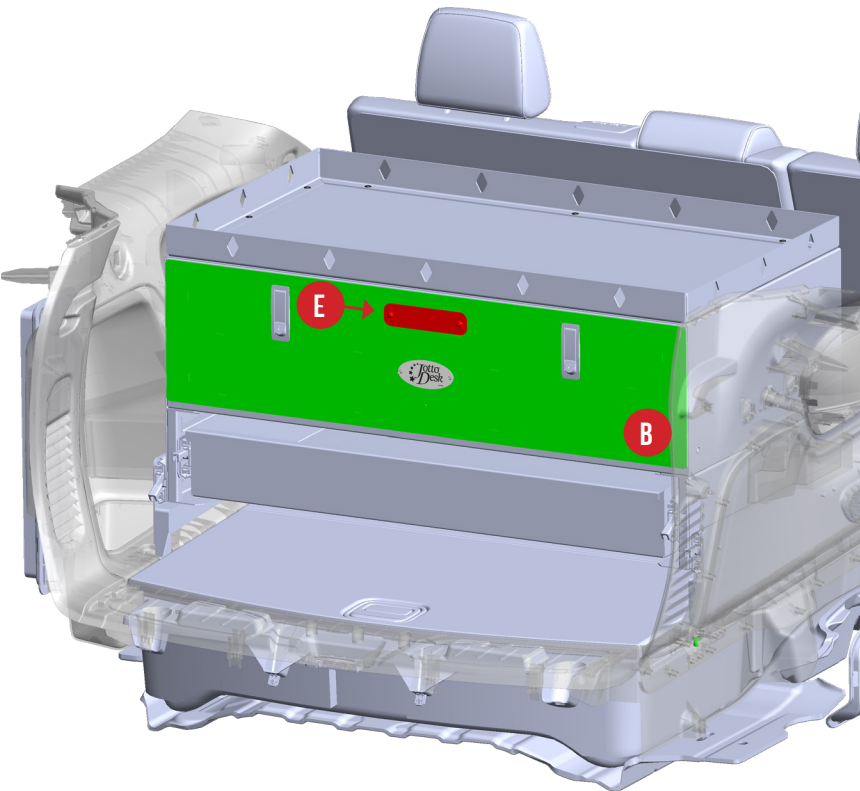
## STEP 7



7. If the **A** top rail is being installed, proceed with installing the rail on top of the box using the provided self-drilling screws. Position the rail so that it is centered on top of the box before installing the provided (12x) **#7** screws.

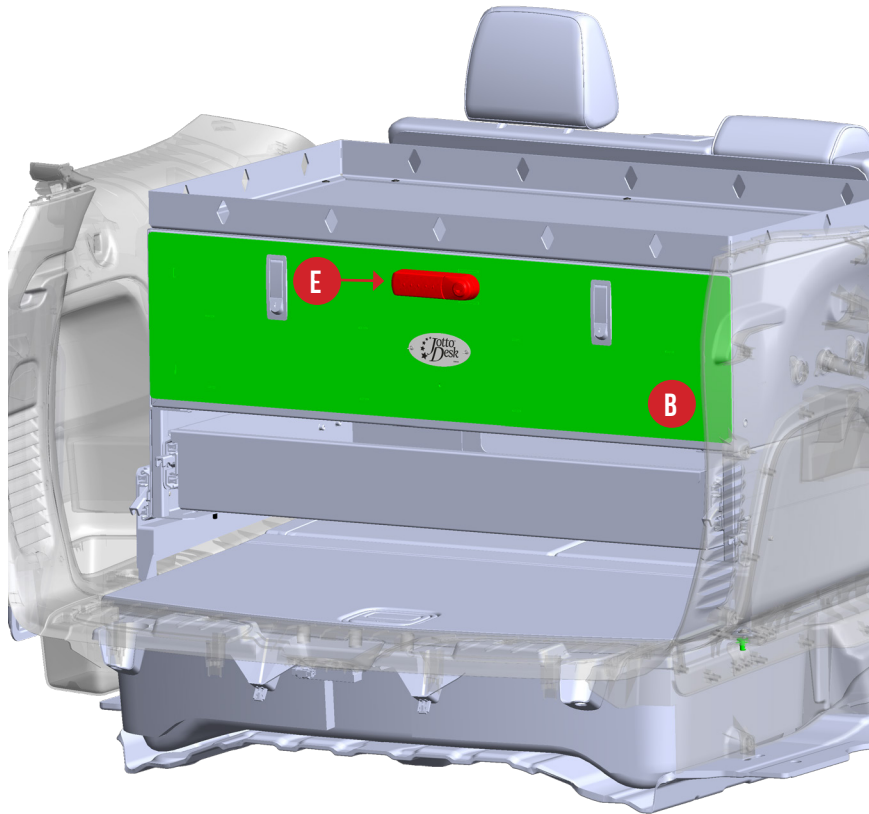


## STEP 8



8. 9) If the **E** electronic slam latch is being installed, remove the **F** cover plate from the face of the drawer.

## STEP 9



9. Using the hardware included with the **E** electronic slam latch, install the latch to the face of the drawer.



If you have questions or need further assistance please call Technical Support: (877) 455-6886

**405 WEST EASY STREET, ROGERS, AR 72756 • JOTTOPUBLICSAFETY.COM • 10/25**

Jotto Desk™ is a patented product and Registered Trademark of Kiefer Sage™. Specifications subject to change without notice.

050-0251-00