



# SPACE CREATOR VEHICLE PARTITION

FEATURING BDRH (BIDIRECTIONAL RECESSED HOUSING)

(U.S. Patent No. 8,690,216)

## 2019-2022 CHEVROLET SILVERADO SSV

### Installation Instructions

Space Creator with High Security/High Visibility Window - 475-1355

Space Creator with Full Window w/ Safety Wire Window - 475-1376

Transfer Kit - 475-1368



### 475-1355

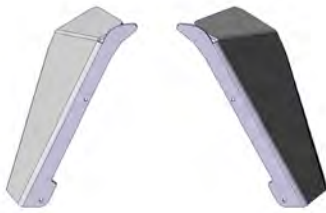
Space Creator Vehicle Partition with HS/HV Window  
Featuring Bidirectional Recessed Housing



### 475-1376

Space Creator Vehicle Partition with Full Window & Safety Wire  
Featuring Bidirectional Recessed Housing

Before beginning the installation, confirm that you have received all of the parts for your package.  
Read the instructions completely before starting installation.



Upper Wings Set

DS-

- PS



Center HSEP



DS-

- PS

(2) B Pillar Bracket



Wings Set



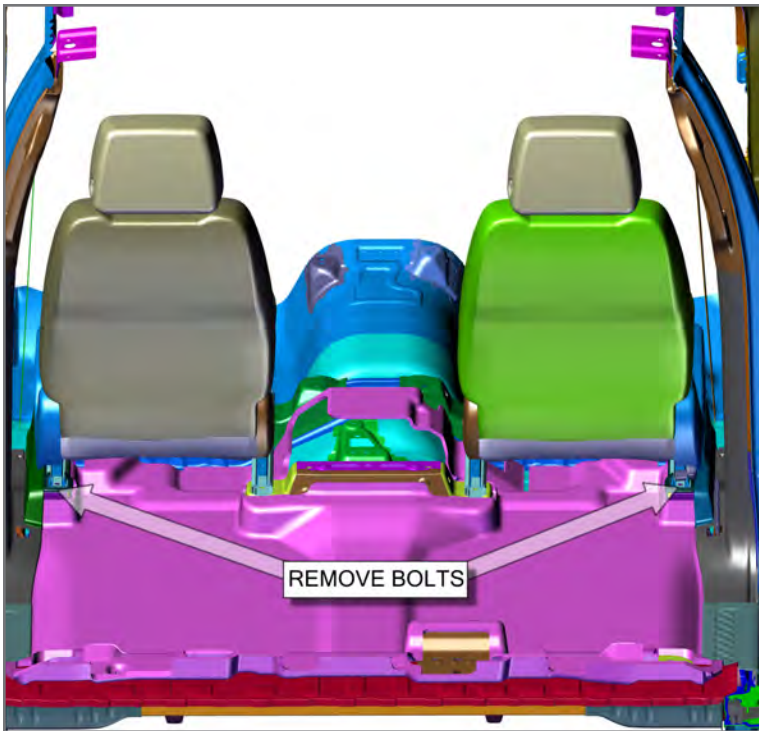
Bi Directional  
Recessed Housing



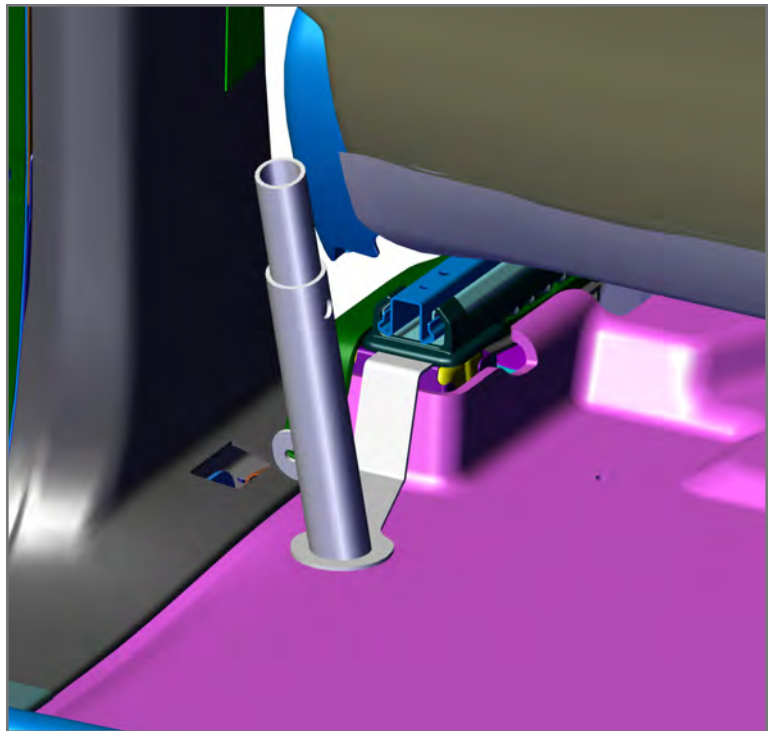
DS-

- PS

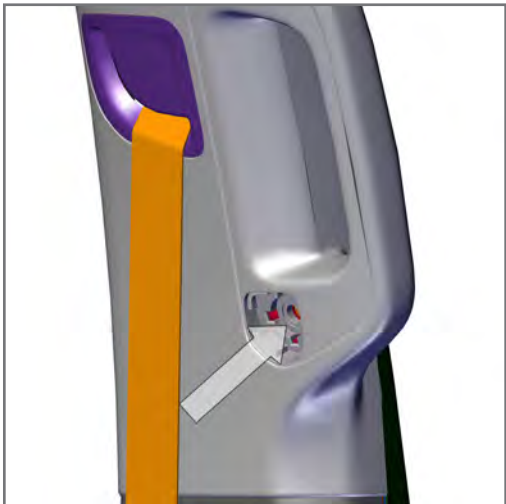
(2) Mounting Foot



1. Move front seats completely forward. Loosen the rear/outer OEM seat bolt with a T-50 socket.



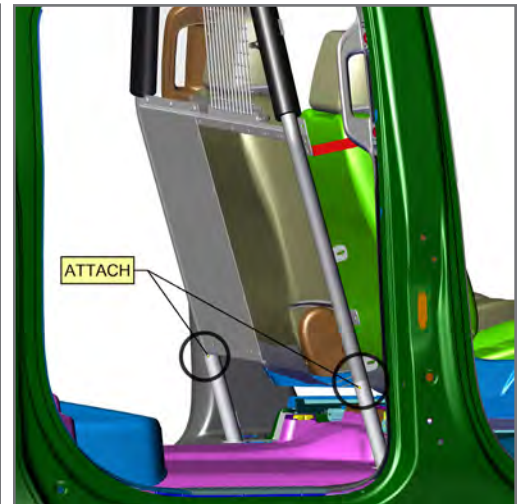
2. Push the seat up slightly to slide the Foot Mount Bracket under seat rail between rail and carpet. Leave bolt loose at this time. Repeat on other side.



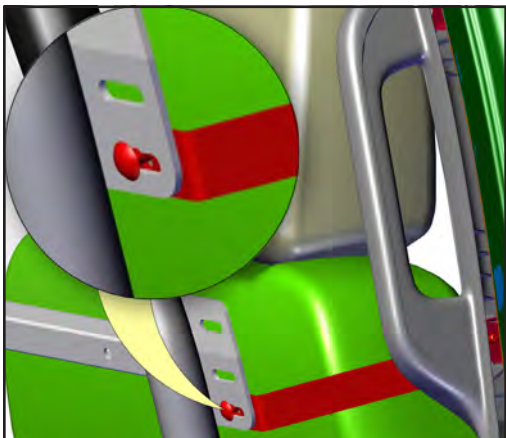
3. Use a small screwdriver to pop the lower cover off the entry assist handle and set aside. Remove 10mm bolt from inside handle. Repeat on other side.



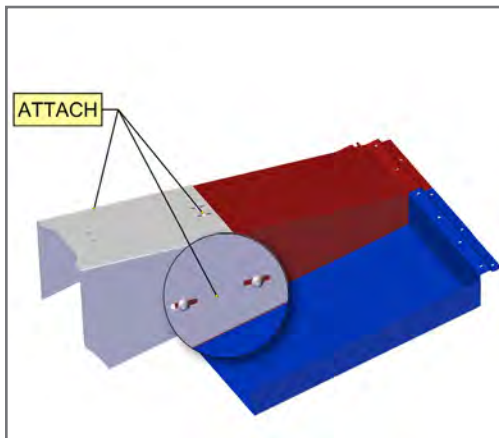
4. Use provided 6mm socket head bolt and spacer to loosely attach B Pillar Bracket through lower opening in entry assist handle. Repeat on other side.



5. Install Partition Frame into vehicle through D/S door and position onto mounting feet.



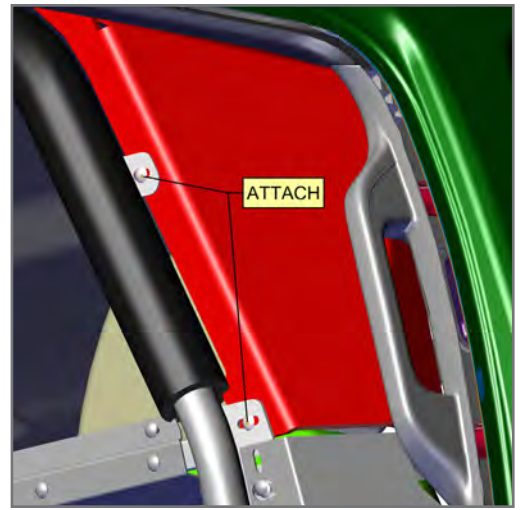
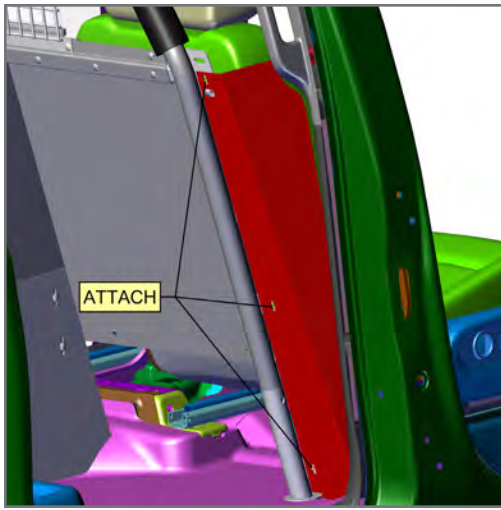
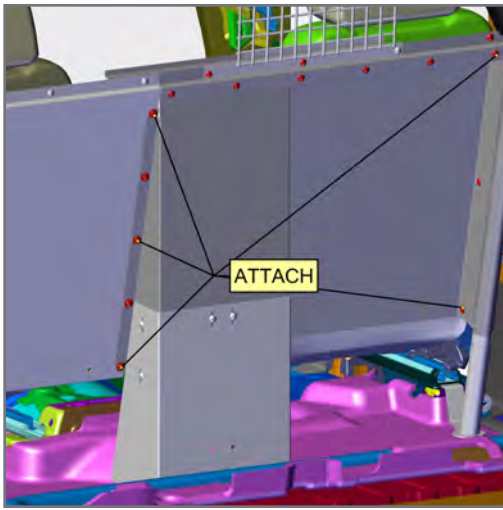
6. Lean Partition Frame forward and loosely attach B Pillar Brackets to lower hole of Frame tab. Center the Partition. Once centered, tighten all hardware at this time.



7. Loosely attach Center HSEP onto BDRH outside of vehicle using (6) carriage bolts and flange nuts.



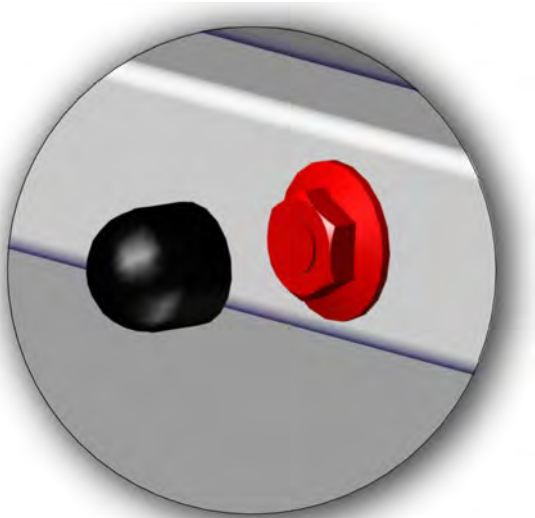
8. Place BDRH with Center HSEP into passenger side of vehicle. Attach BDRH to Partition Frame using provided carriage bolts and flange nuts. Push carriage bolts in from prisoner side of partition. Tighten all bolts/nuts.



9. Use masking tape over carriage bolts to hold bolts in place while attaching flange nuts from front side of Partition.

10. Install Lower Steel Wing from prisoner side using (3) carriage bolts and flange nuts. Repeat on other side.

11. Install Upper Poly Wing from officer side using a carriage bolt and flange nut on the upper and lower hole.



12. Install black caps over all exposed flange nuts.

If you have questions or need further assistance please call Technical Support: 1.877.455.6886



**209 W. EASY ST., ROGERS, AR 72756 • JOTTOPUBLICSAFETY.COM • 9/24**

Jotto Desk™ is a patented product and Registered Trademark of Assembled Products™ Corporation.  
Specifications subject to change without notice.

050-0078-00

