



2021+ F-150 POLICE RESPONDER

ORDERING GUIDE

JOTTOPUBLICSAFETY.COM

CONTOUR CONSOLES

The Ford F-150 SSV/PR (2021+) Contour Console has a dash contouring shape and will mount up to 20" of equipment. Simply replace the factory console in minutes using top-down installation. No drilling required. PPV OEM USB plugin is able to be relocated if needed, might not work for all trim levels. Each console comes standard with 20" of faceplates, (1) Magnetic Mic, 28" Ford F-150 SSV/PR and F-250-550 floor plate, and a built-in locking lid for secure, extra storage.



425-6524

Rated Capacity	20" of face plates
Length	29.36"
Width	12.59"
Height	10.15"
Depth	(front to rear) 9.82" - 6.52"
Weight	28.8 lbs



MAMBA MOUNT CONSOLE SIDE MOUNT

Jotto Desk™ is upgrading and simplifying your on-duty experience with the Mamba Mount, a console side mount designed to work in each zone; Store & Drive, Park & Work, and Tactically Safe.

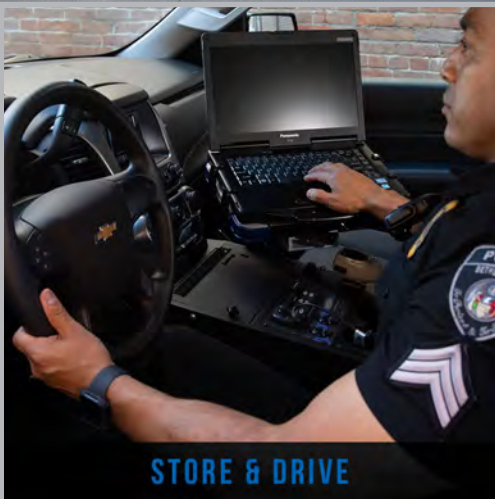


425-0150/4138

The Mamba Mount's 12" Extruded Motion Arm smoothly rotates from the driver to the passenger side with minimal force, no levers or brackets needed. You can quickly move and reset the Mamba Mount from the home position to a comfortable working position. Pull the rear Indexing Plunger to release the laptop and slide it forward to a working position. When finished, simply reverse the process, pull the front indexing plunger and slide the laptop back to the home or store position. At full extension, the desktop tilts and swivels for the optimal working position. The Mamba Mount easily attaches to the majority of Jotto Desk Contour Consoles and any other standard console with side mount fittings and fits all Jotto Desk A-MOD Desktops.



PARK & WORK



STORE & DRIVE



TACTICALLY SAFE



FLOOR PLATE KIT & STANDARD CONSOLES

Secure Consoles and Console Accessories to your Ford F-150 Police Responder with a "No Holes Drilled" Floor Plate Kit.



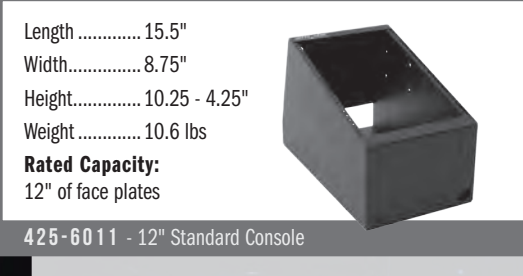
425-6501

Length 8 - 6.625"
 Width..... 8.75"
 Height..... 9.924 - 6.314"
 Weight 8.55 lbs

Rated Capacity:
 9" of face plates



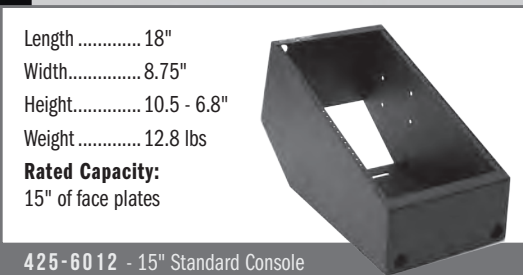
425-6010 - 9" Standard Console



Length 15.5"
 Width..... 8.75"
 Height..... 10.25 - 4.25"
 Weight 10.6 lbs

Rated Capacity:
 12" of face plates

425-6011 - 12" Standard Console



Length 18"
 Width..... 8.75"
 Height..... 10.5 - 6.8"
 Weight 12.8 lbs

Rated Capacity:
 15" of face plates

425-6012 - 15" Standard Console



18" LAZY "L" CONSOLES

This Lazy "L" Standard Console mounts 18" of radio, communications, siren and light control equipment. Sloped design allows console to be mounted from dash to between seats. Top-down installation using one of our floor plates and requires no drilling.



Length 21"
 Width..... 8.75"
 Height..... 11.25" - 7.375"
 Weight 12.3 lbs

Rated Capacity:
 18" of face plates

425-6232

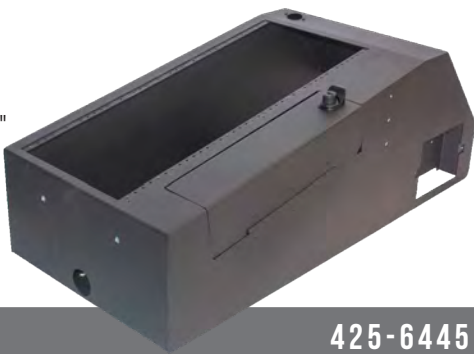
WIDE BODY CONSOLE

The Wide Body Standard Console mounts 20" of equipment plus a built in lock box. The Integrated Pentax/Brother Wide Body Console features a custom printer mount, 14" rated capacity, and lock box. The AR Secure model conceals a ZRT Gun Rack. Top-down installation using one of our floor plates and requires no drilling.



WIDE BODY CONSOLE

Length28.25"
 Width.....3.139"
 Height.....10.25"
 Depth6.436 - 10"
 Weight23.5 lbs
Rated Capacity:
 20" of face plates



425-6445

WIDE BODY INTEGRATED PENTAX/BROTHER CONSOLE

Length 23.69"
 Width..... 13.15"
 Height..... 10.15"
 Depth 6.52 - 9.02"
 Weight 23 lbs
Rated Capacity:
 14" of face plates



425-6554

WIDE BODY AR SECURE CONSOLE

Length28.3"
 Width..... 15.179"
 Height..... 10.154"
 Depth 6.671 - 13.133"
 Weight 36.55 lbs
Rated Capacity:
 20" of face plates



425-6491



JOTTO DESK® NO HOLES MOUNT

Field-proven over 20 years, the Jotto Desk® offers mobile professionals the best laptop mount for cars, trucks, vans, SUVs and Big Rigs.

- **Articulated Arm**
1" square x 13.375" solid aluminum; black anodized
- **Telescoping Rod**
7/8" x 12" steel with 5/8" turned swing arm rest
- **Stand**
1" x 10" 11 gauge steel, black; round stock
- **Height Variation**
21" - 25"
- **Base Mount**
3/16" gauge master, one-piece base with tapped 7/8" mounting post



425-5046/4143



HEAVY DUTY NO HOLES MOUNT

- **Heavy Duty Motion Arm**
4.25" w x 0.75" thick x 9" long; black anodized
- **Upgraded Telescoping Rod**
1.75" x 6" steel with swing arm
- **Upgraded Stand**
2" x 15" .218 thickness, black; round stock
- **Height Variation**
15.875" to 19.875"
- **Upgraded Base Mount**
7 gauge steel, one-piece base

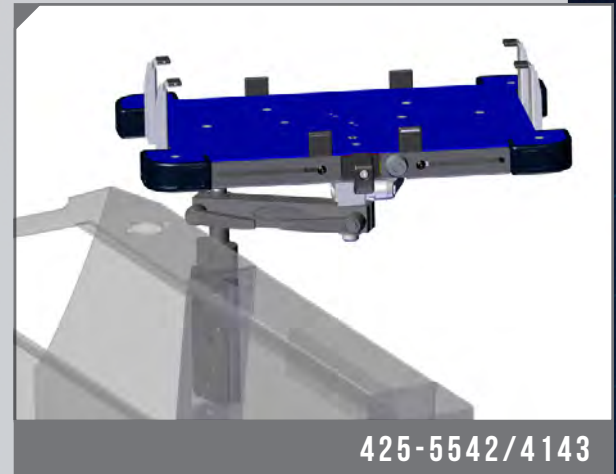


425-5043/4138

CONSOLE SIDE MOUNTS

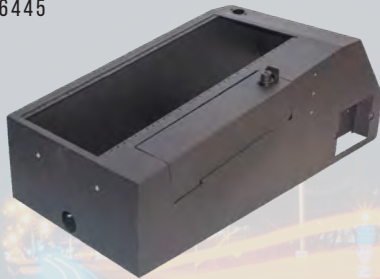


The JOTTO DESK™ Console Side Mount (CSM) features No Holes Drilled installation on the passenger side of a compatible equipment console, preserving front passenger side leg room and improving performance. The CSM offers a straight arm which enables you to comfortably use and secure a laptop using the A-MOD or other desktop.



425-5542/4143

BUILT TO FIT:
WIDE BODY CONSOLE
425-6445



WIDE BODY INTEGRATED
PENTAX/BROTHER CONSOLE
425-6554



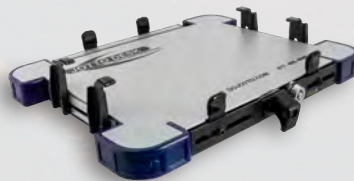
CONTOUR CONSOLE
425-6524



A-MOD (ADJUSTABLE-MOBILE OPERATIONS DESKTOP)

450-4147
A-MOD w/GK PLATE & SHORT CLAMPS

Width.....11.25" to 13.625"
Depth9.25" to 11" (with extensions)
Clamp Height.....0.5" to 1.10" (Short Clamp)
Weight:4.65 lbs (5.65 lbs with GK Plate)



450-4144
A-MOD XL w/GK PLATE & SHORT CLAMPS

Width.....13.5" to 16"
Depth9.25" to 11" (with extensions)
Clamp Height.....0.5" to 1.10" (Short Clamp)
Weight:5.1 lbs (6.1lbs with GK Plate)



450-4153
A-MOD XL w/GK PLATE & TALL CLAMPS

Width.....13.5" to 16"
Depth9.25" to 11" (with extensions)
Clamp Height.....1" to 2.25" (Tall Clamp)
Weight:5.1 lbs (6.1lbs with GK Plate)



450-4143 A-MOD W/GK PLATE & TALL CLAMPS

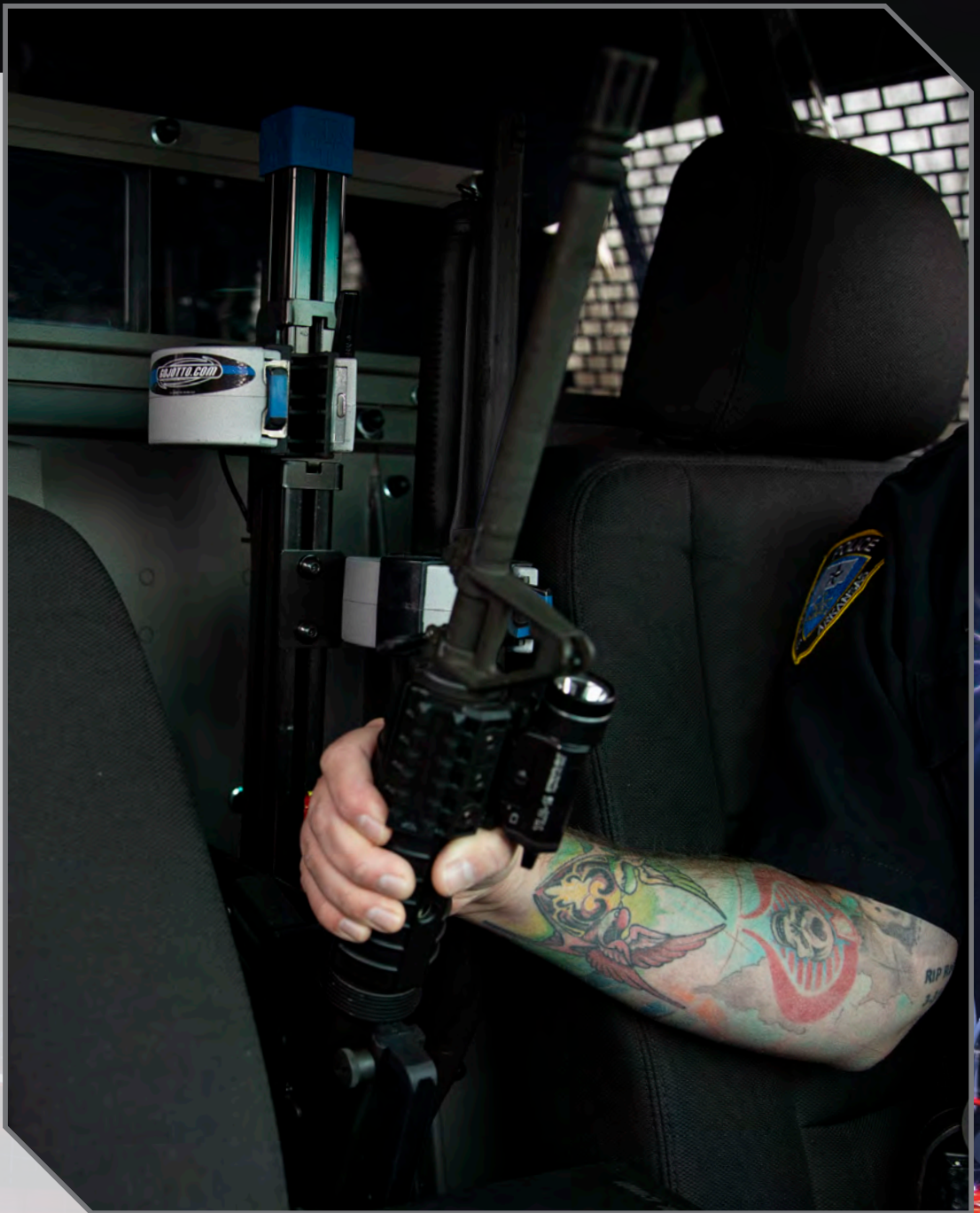
Width.....11.25" to 13.625" Clamp Height.....1" to 2.25" (Tall Clamp)
Depth9.25" to 11" (with extensions) Weight:4.65 lbs. (5.65 lbs with GK Plate)

The A-MOD is engineered to be lightweight, yet rugged. Manufactured from steel, high strength aluminum, and composite materials where it makes sense. It's not real security if a laptop can be simply be stolen by jimmying the lock or bending the clamps. The A-MOD features a high-security solid brass tubular lock and case-hardened steel clamps.

ZRT GUNS RACK

The ZRT Gun Racks are designed for any configuration you can imagine. Partition Mounted, Single Cell Mounted, Rear Seat Mounted or Free Standing, and Rear Hatch Mounted – Single Weapon or Dual.

- Eliminates 12V hot-wiring
- Cannot be defeated by magnets
- Zinc lock head design deforms instead of breaking
- Silicone inserts in lock head
- Protect weapon from damage
- Quickly adjust AR side along the strong extruded backbone to accommodate various stocks
- Single or dual weapon
- Plug and play lock head/timer wiring
- Compact size - 1/3 smaller than other lock heads
- Innovative slide latch recesses inside housing when accessing firearm



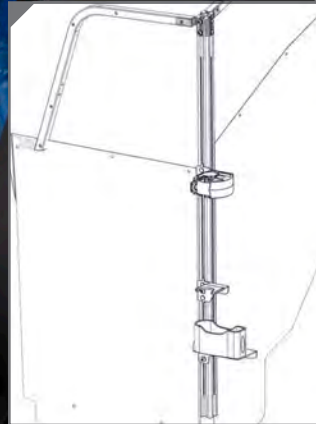
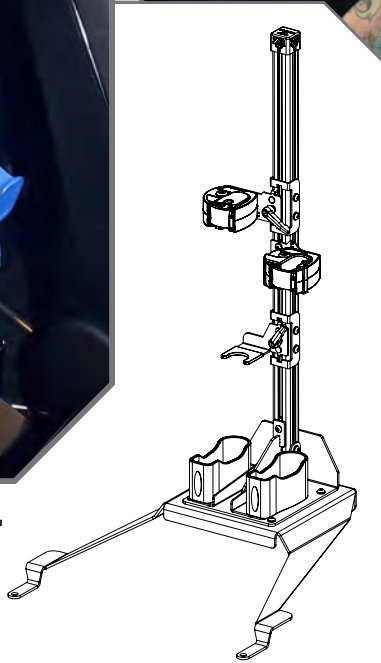
SMARTLO TECHNOLOGY



U.S. PATENT NO. 8,910,560 AND U.S. PATENT NO. 10,563,943

475-2010

SINGLE CELL MOUNT



REAR SEAT MOUNT

475-9473

475-2046

Model #	Description	Location	Weapon(s)	Style
475-2010	GR9, ZRT, AR-BLM/870	Partition	Dual	Vertical
475-2063	GR9, ZRT, AR-GL3-XL/870	Partition	Dual	Vertical
475-2015	GR9, ZRT, AR-BLM	Partition	Single (AR)	Vertical
475-2014	GR9, ZRT, 870	Partition	Single (870)	Vertical
475-2054	GR9, ZRT, AR-BLM	Partition	Dual (AR)	Vertical
475-2052	GR9, ZRT, AR SECURE-BLM/870	Partition	Dual (AR Secure)	Vertical
475-2053	GR9, ZRT, AR SECURE-BLM	Partition	Single (AR Secure)	Vertical
475-2046	GR7, ZRT, AR-BLM, SUV-PICKUP	Single Cell	Single (AR)	Vertical
475-9473	GR6, ZRT, AR-BLM/870, F-150 2021+	Rear Seat	Dual	Vertical

SPACE CREATOR BIDIRECTIONAL VEHICLE PARTITION

Keep officers and prisoners safe during transport using Jotto Desk™ Space Creator Vehicle Partitions. The Bidirectional Recessed Housing maximizes officer workspace and prisoner legroom, building an extra layer of protection for your officer. Jotto Desk Vehicle Partitions are engineered to save time and money, utilizing the OEM mounting points instead of drilling new holes. Jotto Desk originated the Space Creator Vehicle Partition (US Patent No. 8,690,216) to transform unusable space behind the front passenger seat into extra legroom, enough to accommodate your bulkiest prisoner.



475-1810



475-1811

HSEP (HIGH SECURITY EXTENSION PANEL)

Enhance partition security by preventing rear passengers from reaching into the front of the vehicle under seats with a two-piece, steel High Security Extension Panel.



475-1107



HIGH SECURITY/HIGH VISIBILITY WINDOW

A High Security/High Visibility (HS/HV) Window gives officers the best of both worlds - tremendous sight lines, whether looking out the rearview or turning around. The 4"H x 11"W window allows for communication or passing of information but there won't be anyone that will squeeze through this opening. If a prisoner spits/bleeds/smears the window - it is still easily cleanable...not so with "expanded metal".



WINDOW ARMOR

Protect your vehicles while transporting prisoners with the Jotto Desk™ line of Window Armor. Easy to install, helps prevent side windows from being kicked out and nobody can reach in or out of the prisoner compartment.

REAR WINDOW ARMOR



475-1168

DOOR WINDOW ARMOR



475-1167

SINGLE CELL LITE

The Single Cell Lite for the 2018+ Ford F-150 SSV/Police Responder includes the Front Divider, Center Divider, Rear Window Armor and Door Window Armor. Jotto Desk realized the extreme challenge facing agencies in regard to the rear seat area of pickups and has created a solution for prisoner containment in those vehicles. The bottom 2/3 of the front divider and center divider is powder coated steel with a built-in HSEP for added prisoner foot room. We didn't want to give prisoners a birds-eye view of the "good guy" side of the vehicle when you don't have to. The upper 1/3 is polycarbonate and has been designed to allow for prisoner viewing/interaction but not diminish drivers view out the rear view mirror. In fact, the visibility for an officer is nothing short of amazing.



475-1812

DEFEND IR

You take every available precaution to secure your patrol vehicle; firearms in the gun rack, locking equipment and doors. The inconvenient truth is that the criminal element has time on their side to bypass these precautions.

Jotto Desk is excited to introduce the Defend IR Security System. The first Security Solution against patrol vehicle break-ins. The Defend IR Monitors the interior of your vehicle utilizing an infrared sensor when armed. When a change is detected, the Defend IR activates the lights and siren of the patrol vehicle, alerting everyone nearby and scaring off a potential thief.

U.S. Patent No. 11,745,699



209 W. EASY ST., ROGERS, AR 72756 • JOTTOPUBLICSAFETY.COM • 4/24

Jotto Desk™ is a patented product and Registered Trademark of Assembled Products™ Corporation.
Specifications subject to change without notice.

